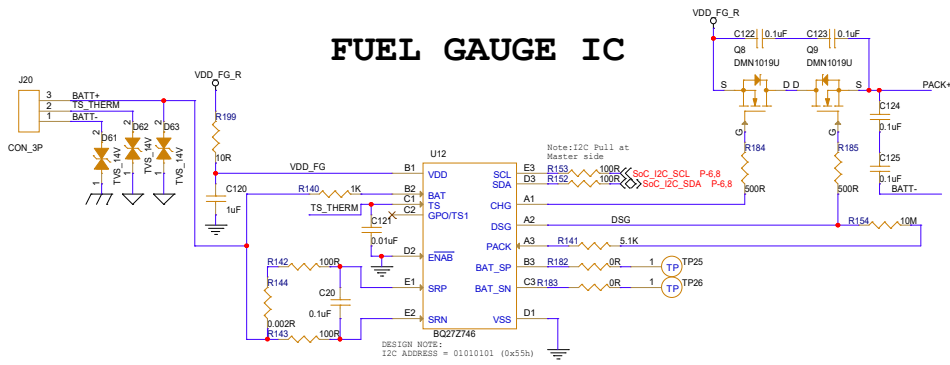
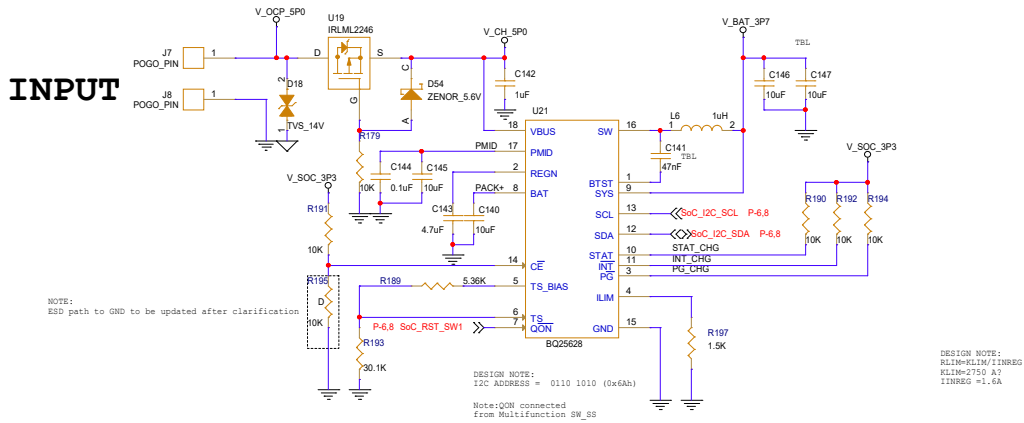


## FUEL GAUGE IC



## BATTERY CHARGER IC



Title		<Title>
Size	Document Number	Rev
C	<Doc>	A
Date:	Monday, May 06, 2024	Sheet 05 of 12