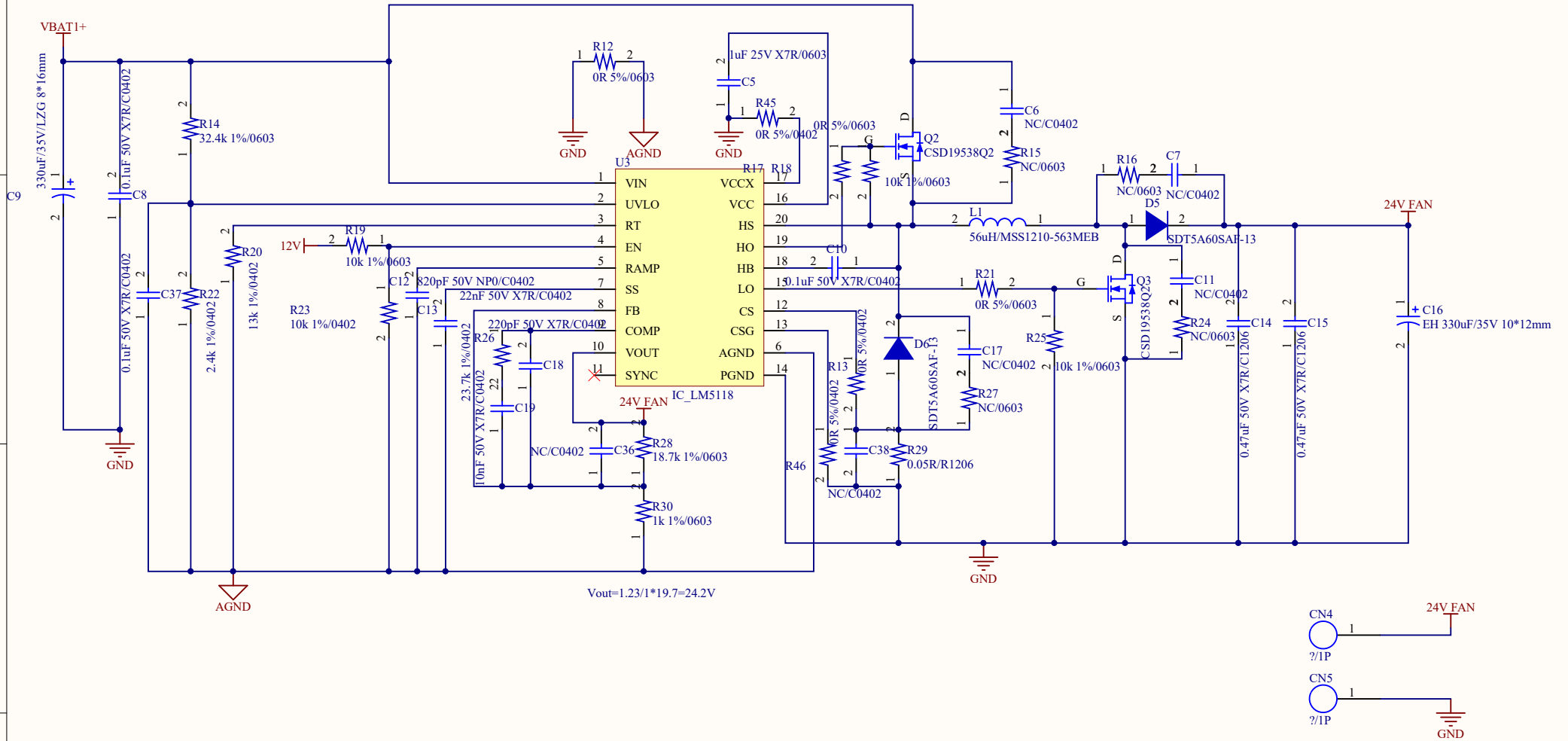


Fan Power Circuit



Title		
Size	Number	Revision
A4		
Date:	2026/1/16	Sheet of
File:	D:\Alger\...\Fan Power Circuit 1111.SchDoc Drawn By:	