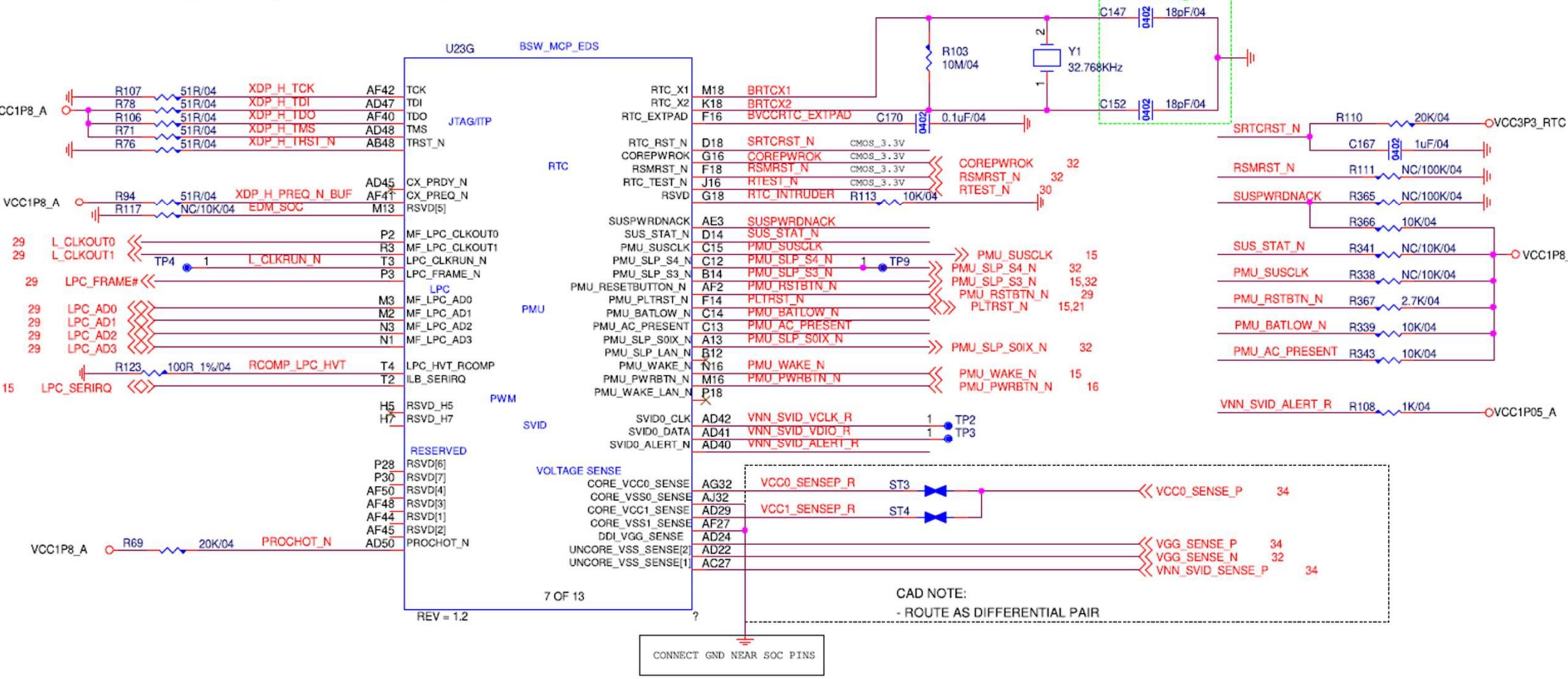
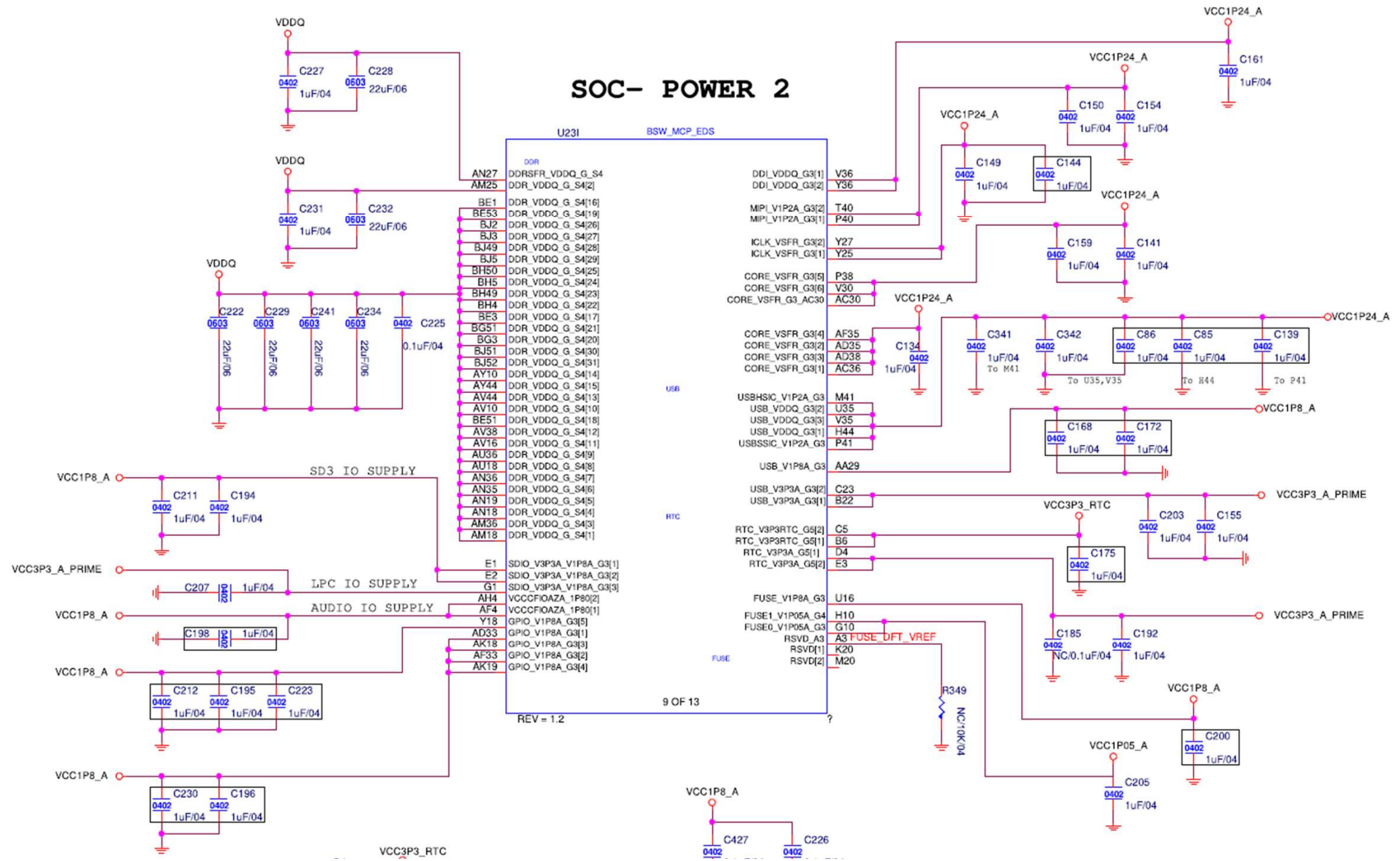
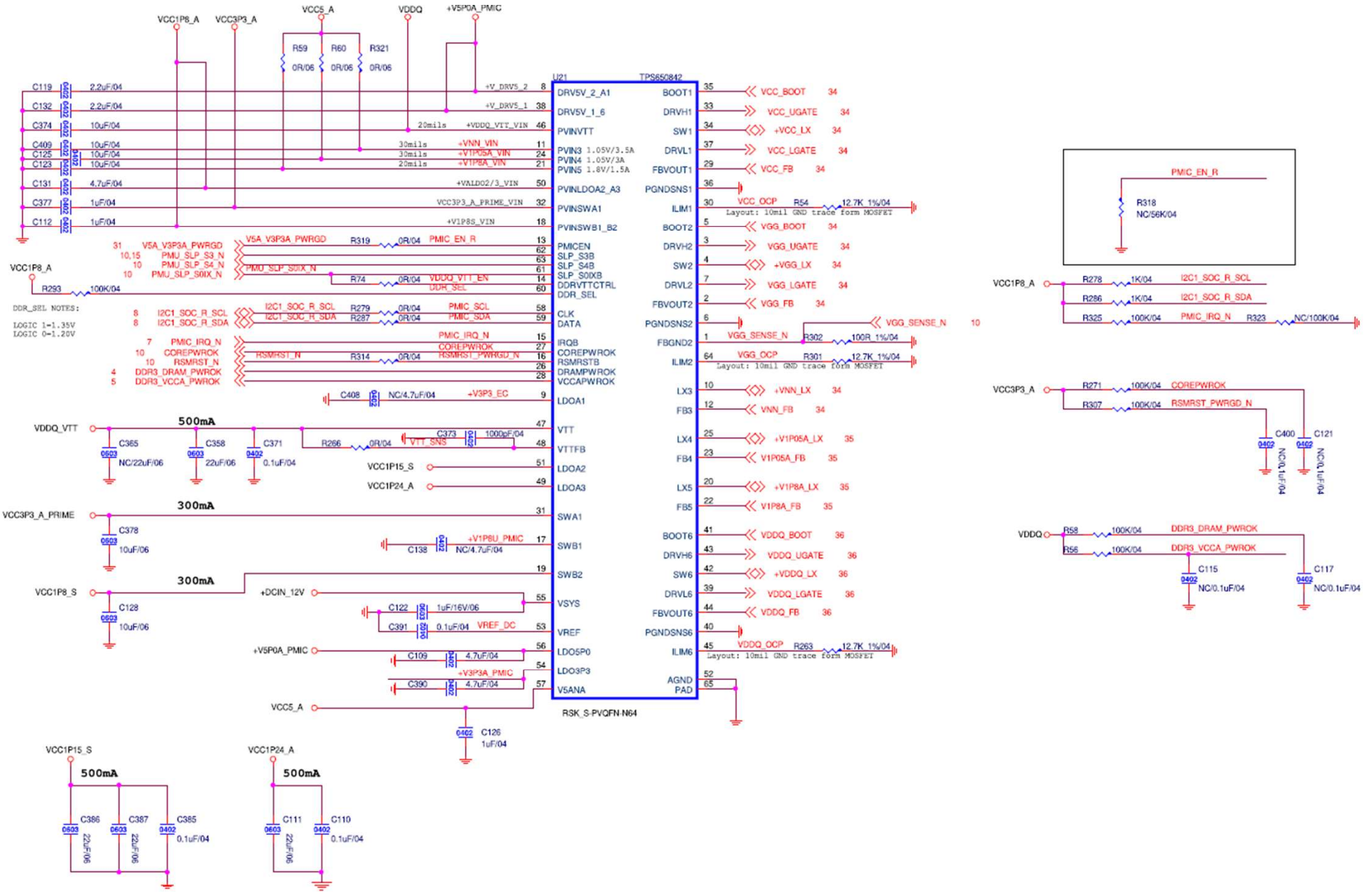


SOC- JTAG/LPC/THERMAL/VOLTAGE SNS

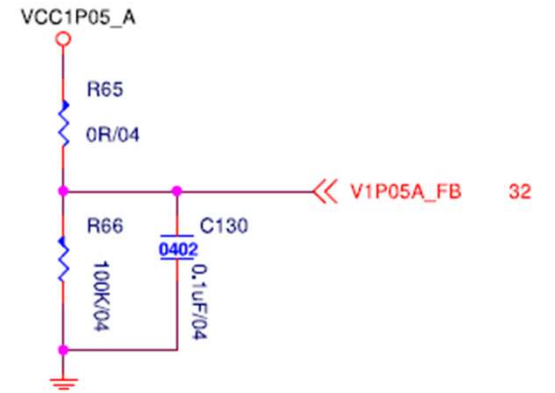
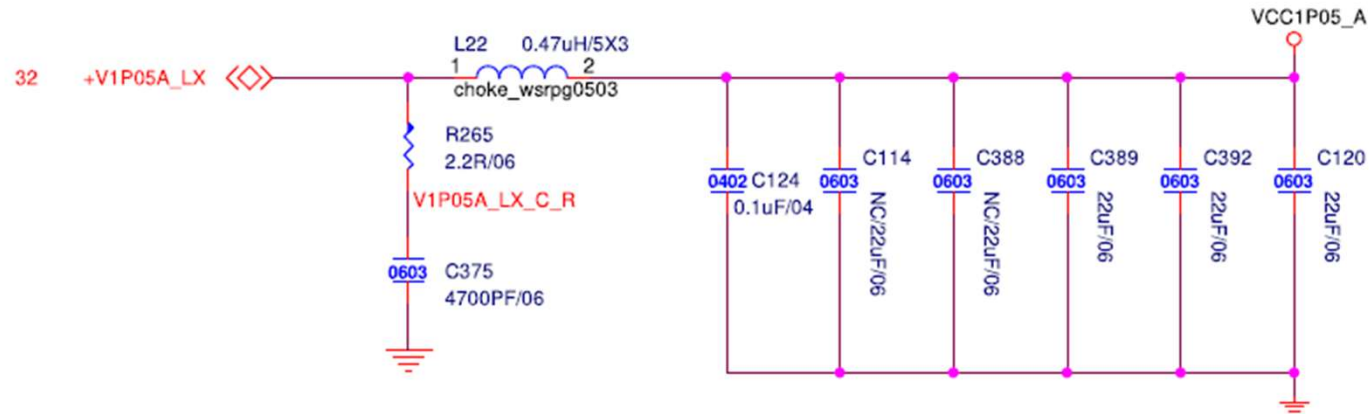


SOC- POWER 2





Iout = 3A



Iout = 1.5A

