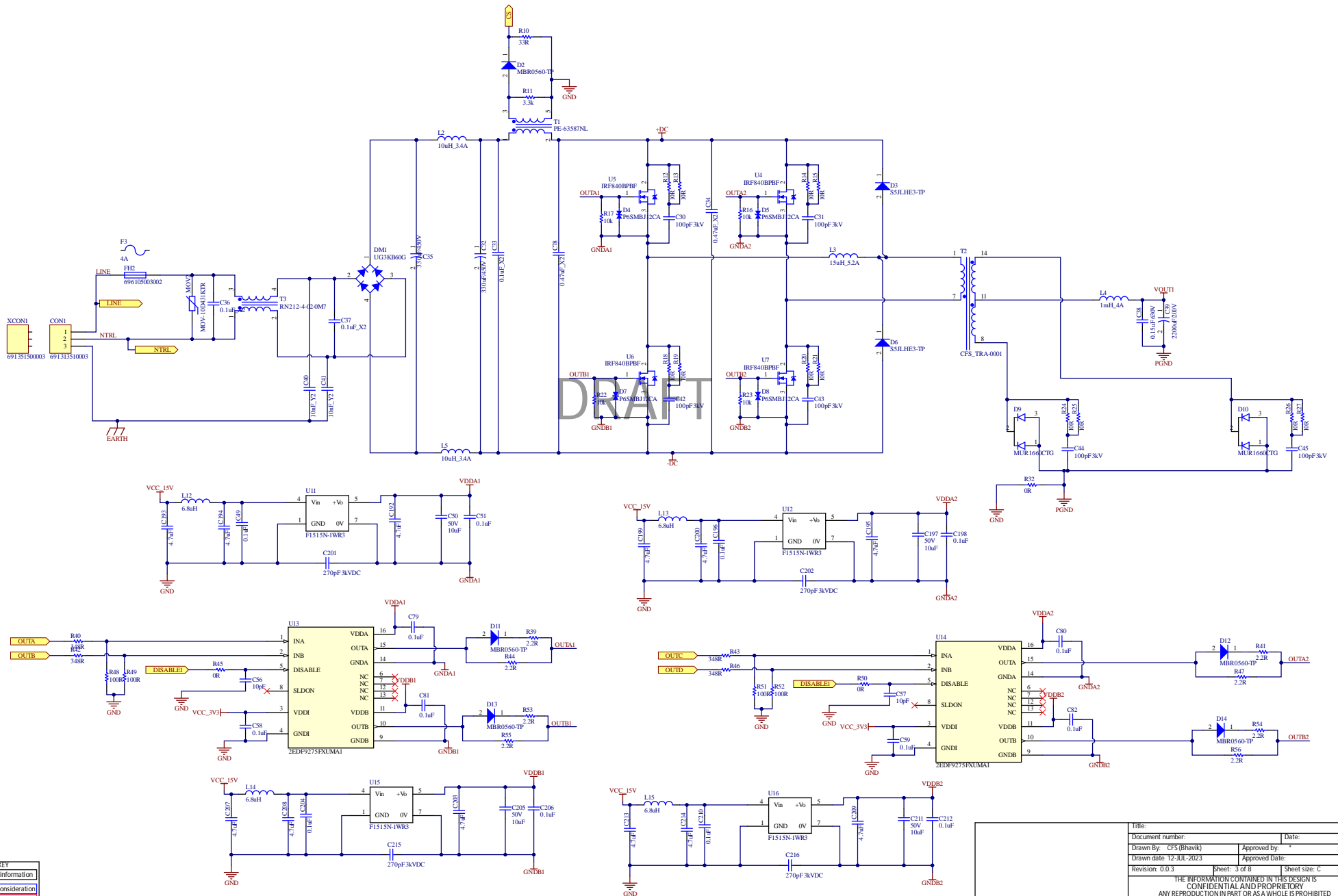


FULL BRIDGE POWER PATH



KEY	
General information	
Design consideration	
Layout consideration	

Title:		Date:	
Document number:		Drawn By:	CFS (Bhavik)
Drawn date:	12-JUL-2023	Approved Date:	
Revision:	0.0.3	Sheet:	3 of 8
THE INFORMATION CONTAINED IN THIS DESIGN IS CONFIDENTIAL AND PROPRIETARY ANY REPRODUCTION IN PART OR AS A WHOLE IS PROHIBITED WITHOUT THE WRITTEN PERMISSION OF THE PROPRIETOR			

