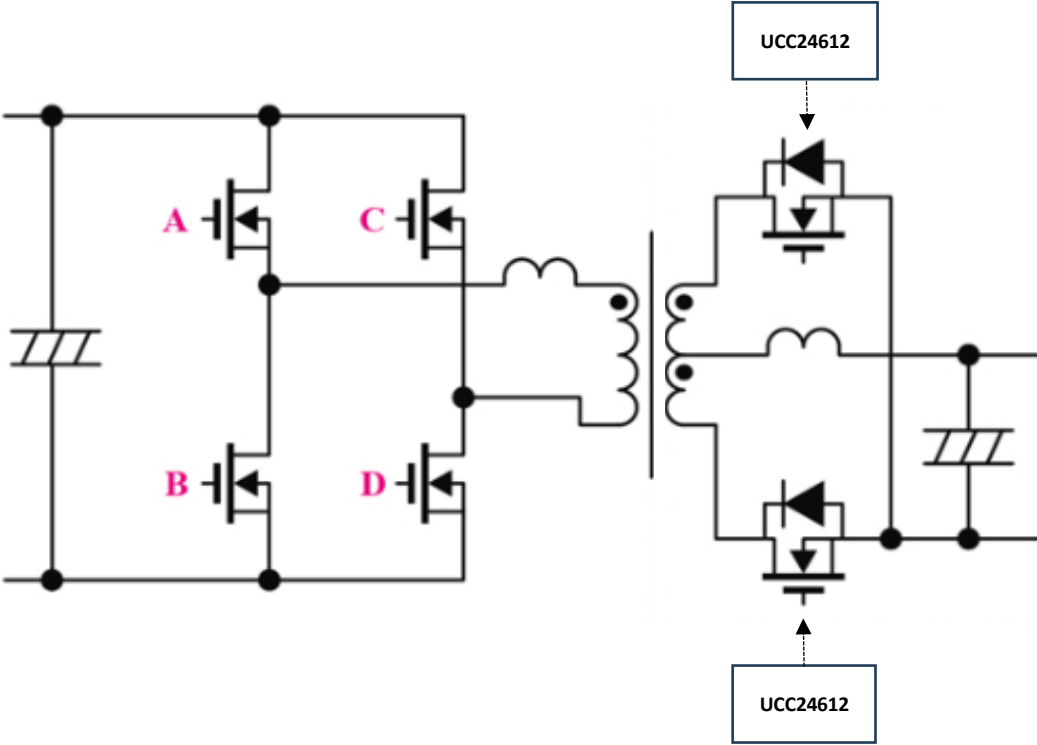


Full bridge circuit with UCC24612



EOF.