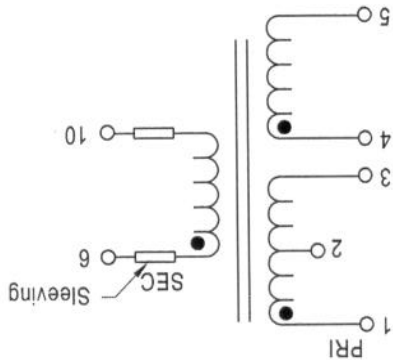


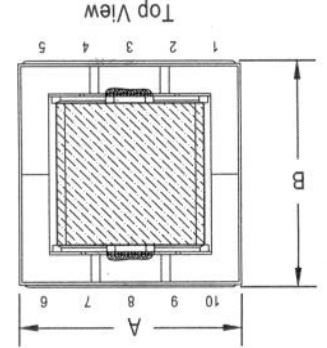
Electrical Specification @ 25°C:

- Inductance: (1-3): 3 mH ±12% @ 100KHz, 0.1V
- Leakage Inductance: (1-3): 50 µH Max @ 100KHz, 0.1V with all other pins shorted
- RDC: (1-3): 3.35 Ω Max
(4-5): 0.40 Ω Max
(6-10): 50.0 mΩ Max
- Turns Ratio: @ 100KHz, 0.1V
(1-3):(4-5)=1:0.12 ±5%
(1-3):(6-10)=1:0.12 ±5%
- Hipot: Pins (1-3) to (6-10): 2,500VDC for 2 seconds @ 0.5mA

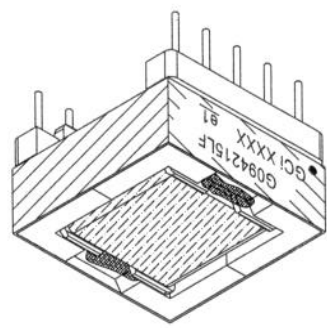
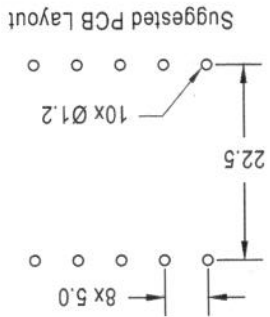
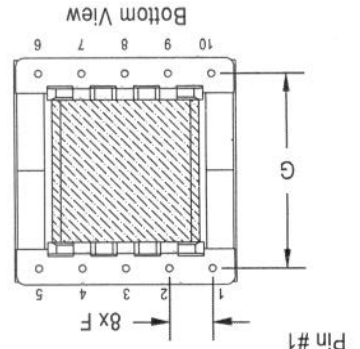
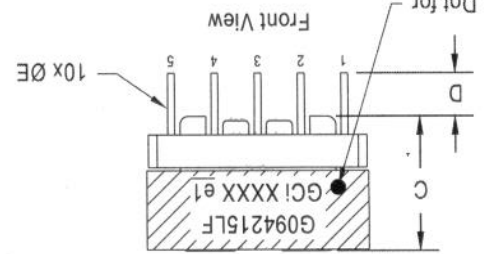
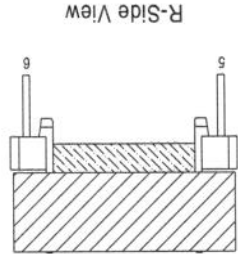


Schematic:

Mechanical Specification:



Ref	mm
A	26.00 Max
B	27.00 Max
C	16.50 Max
D	5.00±0.50
E	Ø0.80±0.10
F	5.00±0.25
G	22.50±0.30



G094215LF
GCI XXXX e1

- Notes:
- Marking shall include:
GCI Part Number,
GCI Name, Date Code,
RoHS Symbol



"ALL CURRENT CHANGES INDICATED BY ASTERISKS"

Electrical / Mechanical Specification

30W Flyback Transformer

APPD. BY: <i>Greg W.</i>	RELEASED BY:	REV: 1	DRAFTER: <i>June W.</i>	DATE: 08/10/09
IGN ENG: <i>Javier H.</i>	APD. BY: <i>Greg W.</i>	CUSTOMER PART NO.: G094215LF	SHEET 1 OF 3	
NUMBER: 094215	GCI PART NO.: G094215LF	This document contains GCI Technologies, Inc. Proprietary data and is not to be copied, reproduced, used, or divulged to unauthorized persons. In whole or in part without proper authorization in writing from GCI Technologies, Inc. GCI Technologies, Inc. reserves all rights herein.		
1301 Precision Drive * Plano, Texas 75074 U.S.A. * Tel: (972) 423-8411 * Fax: (972) 423-4550 * email: gci@gcitechologies.com * website: www.gcitechologies.com				