

P_VBUS_20V Specification:
 Vout: 15V/20V
 Imax: 3A
 Istep: 1.5A
 Slew Rate: 2.5A/uS
 TOB: + - 5.0%
 Switching Frequency per Phase: 400KHZ
 Current limit=5A

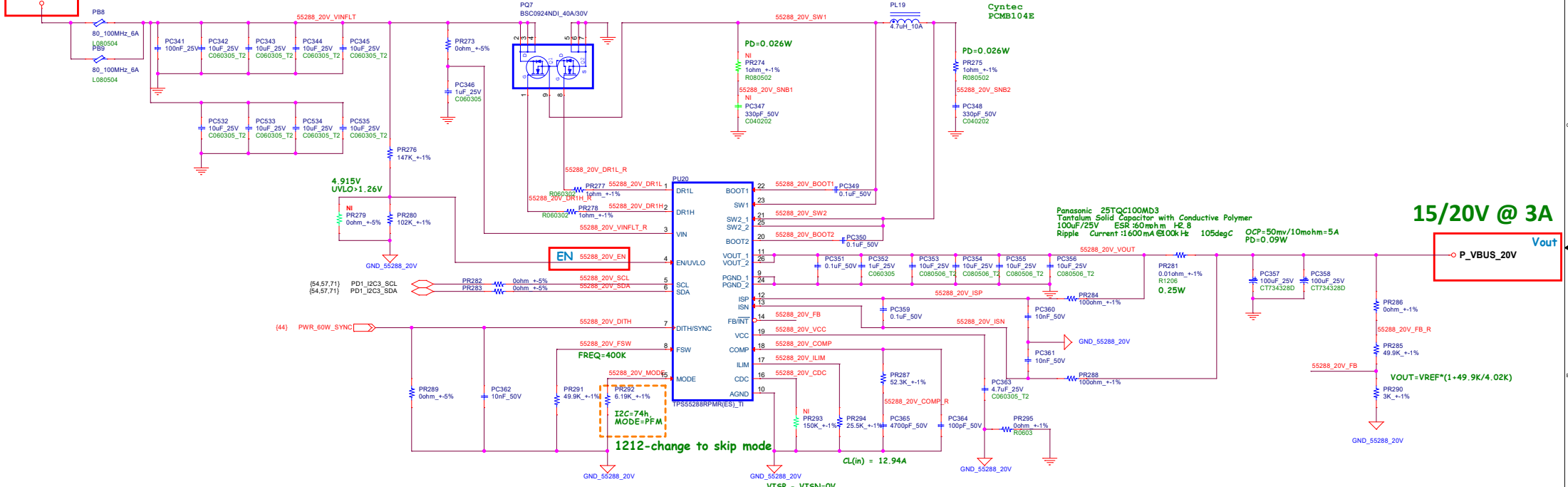
7.5~13V

Vin
 P_PWR_IN

Buck-Boost Converter

VIN=7.5V, Vout=15V, dIL=2.16A (Boost), Ipk=7.75A
 VIN=7.5V, Vout=20V, dIL=2.55A (Boost), Ipk=10.17A
 VIN=13V, Vout=15V, dIL=1.521A (Boost), Ipk=4.6A
 VIN=13V, Vout=20V, dIL=2.87A (Boost), Ipk=6.6A

4.7uH/10A/13A/13.2mohm/15mohm
 11.2*10.3*4.5mm
 PL19
 Cyntec
 PCMB104E



15/20V @ 3A

P_VBUS_20V

Panasonic 25TQC100M03
 Tantalum Solid Capacitor with Conductive Polymer
 100uF/25V ESR $50\text{m}\Omega\text{H}$ H2.8
 Ripple Current :1600mA @100kHz 105degC
 OCP=50mv/10mohm=5A
 Pd=0.09W

EN

FREQ=400K

I2C=74h
 MODE=PFM

1212-charge to skip mode

CL(n) = 12.94A

VISP - VISN=0V