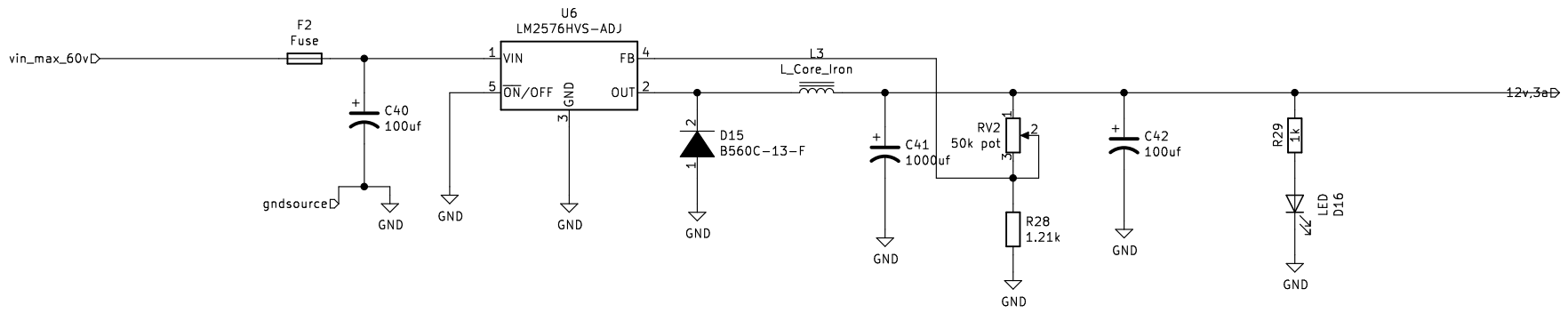


Sheet: /
 File: anscer ucc3808 power board.sch
Title:
 Size: A3 Date:
 KiCad E.D.A. kicad (5.1.5)-3 Rev:
 Id: 1/2



Sheet: /dc dc for 12v/	
File: dc dc for 12v.sch	
Title:	
Size: A4	Date:
KiCad E.D.A. kicad (5.1.5)-3	Rev: 2/2