

GL889-20

USB Charging Port Controller (Dual Ports)

Overview

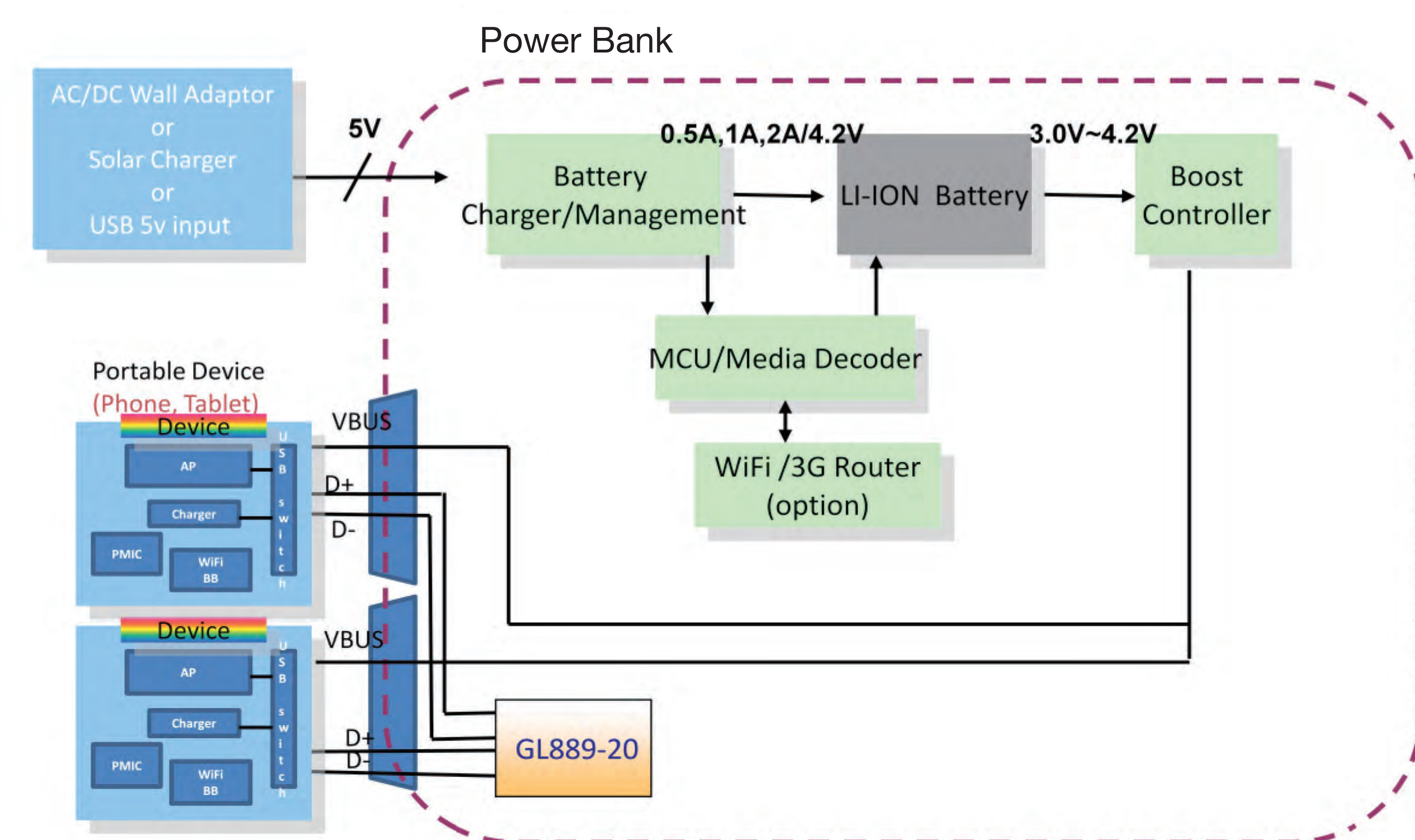
The GL889-20 is a USB fast-charging controller which complies with USB Battery Charging Specification (abbrev. as BC) and supports two USB ports at the same time. Before the USB BC is released, most handheld devices have different charging mechanisms that are not compliant with each other. Generally speaking, old wall-chargers are useless when you have new handheld devices. Now with a USB enabled wall-charger, it provides unified charging mechanism by traditional USB current supply (0.5A) when charging devices through USB ports. With a USB enabled wall-charger which complies with USB BC, it provides unified charging mechanism by more USB current supply (up to 1.5A) when charging devices through USB ports, so called "fast-charging" mechanism. In another word, GL889-20 is a high performance solution for "fast-charging" mechanism and it saves at most 66% of charging time.

In addition, the GL889-20 will automatically detect and charge not only USB BC compliant devices, but also Apple/Samsung/RIM devices. This feature implies wide range of end product applications and provides design flexibility for system manufactures.

Features and Advantages

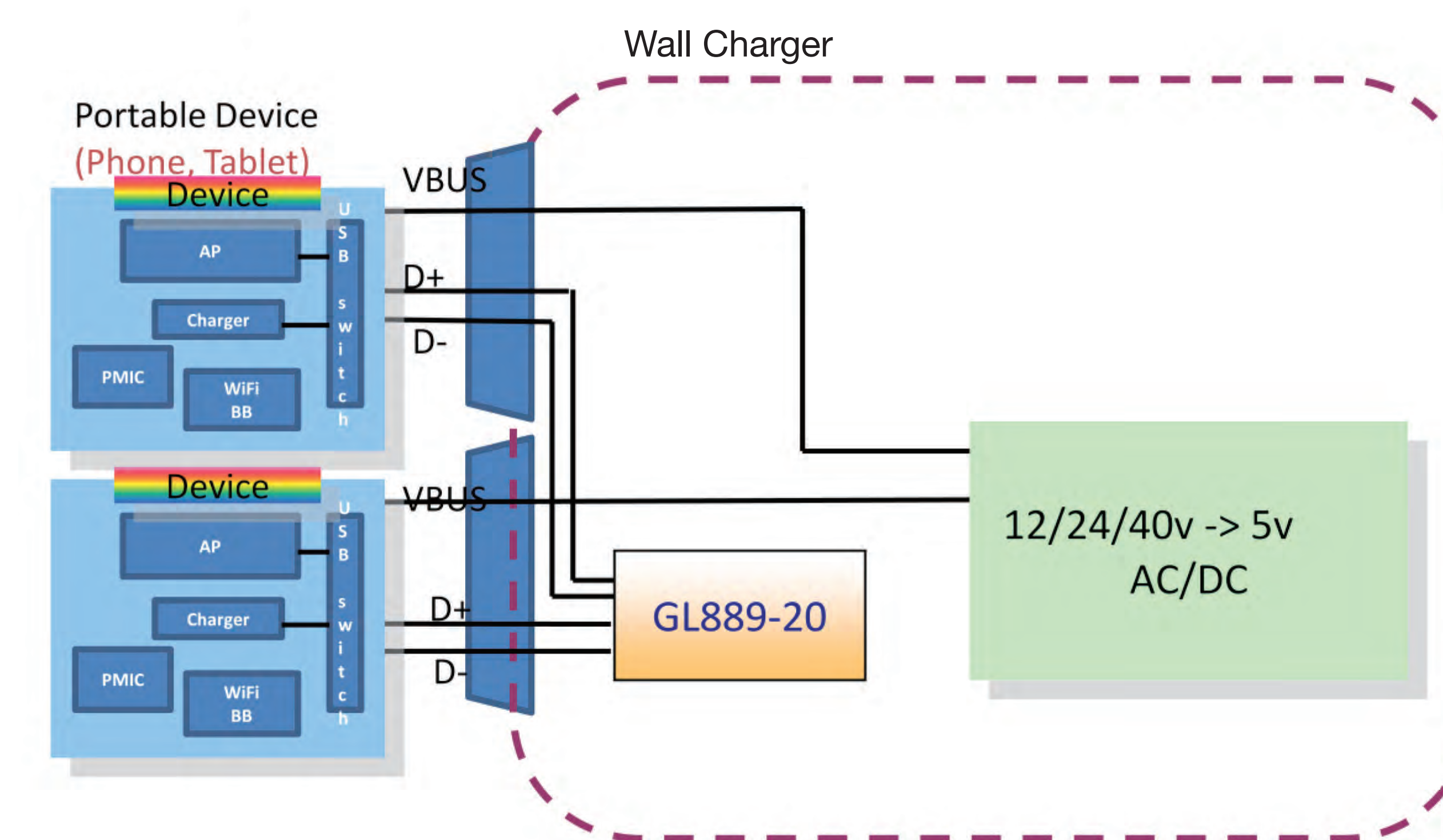
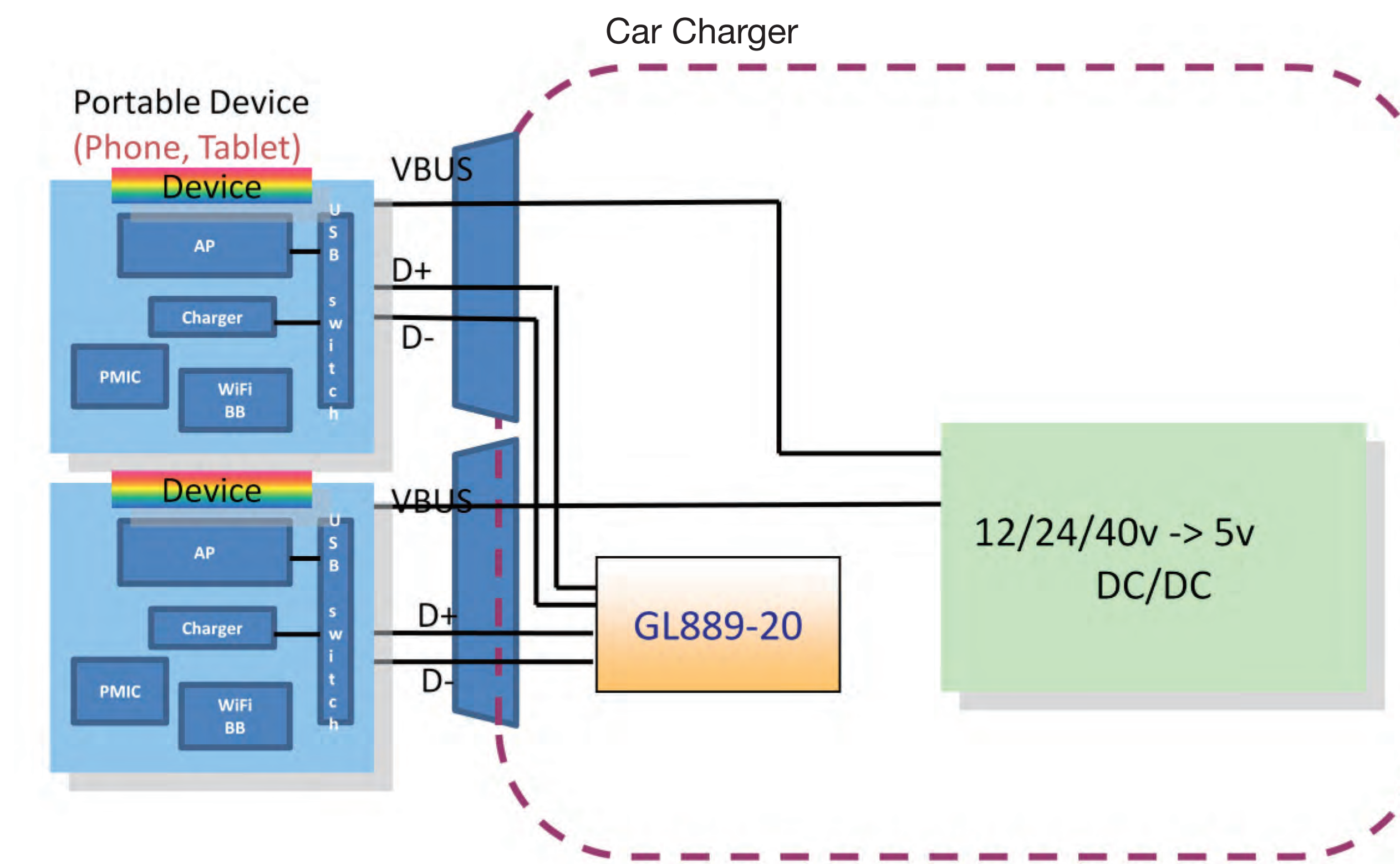
- Supports Battery Charging Specification 1.2 charging port types of Dedicated Charging Ports (DCP)
- Supports Chinese Communications Industry Standard YD/T 1591-2009
- Auto detect and charge for Apple, Samsung and USB BC 1.2 compliant devices
- Ultra low power consumption
- Dual charging ports
- Available in 6 pin SOT23 package
- Applications
 - ▶ Power bank
 - ▶ Car charger
 - ▶ USB universal wall charger / Outlet / Desktop multi-port wall charger

Block Diagram



GL889-20

USB Charging Port Controller (Dual Ports)



Source: Company Data

