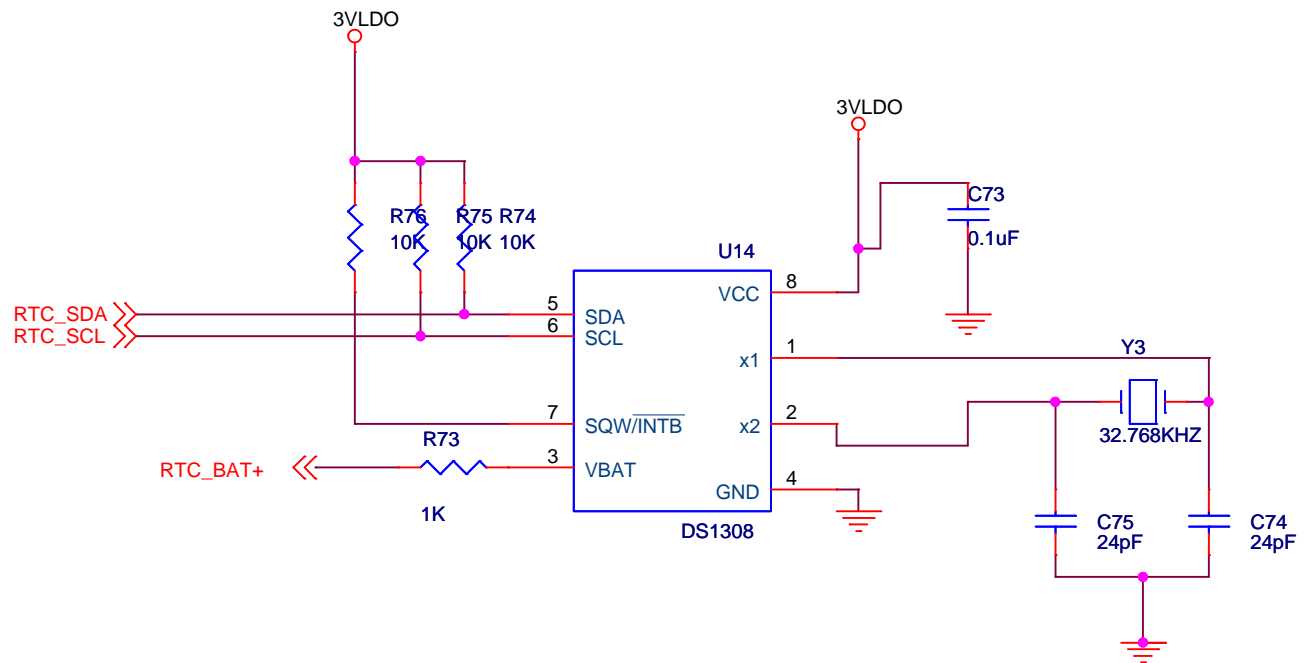
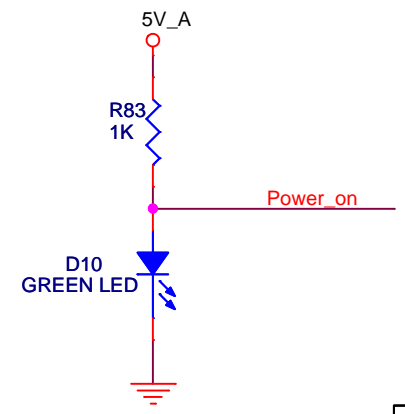
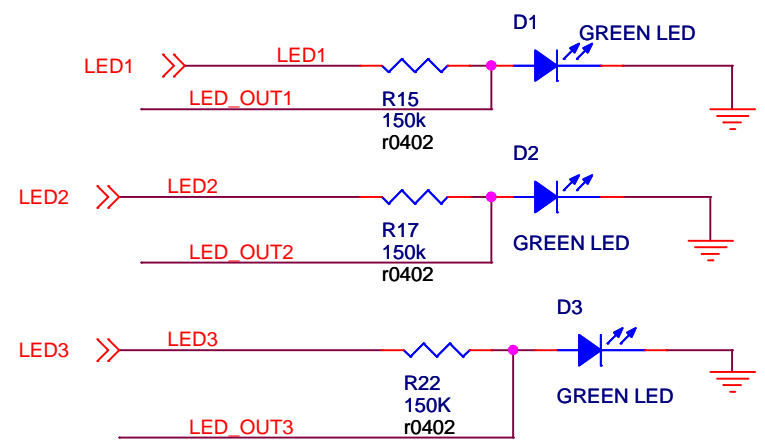
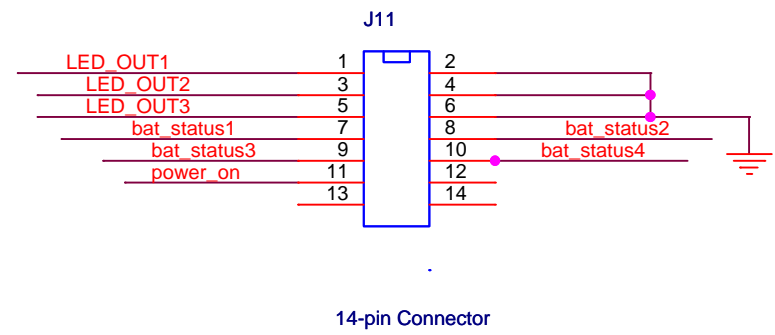
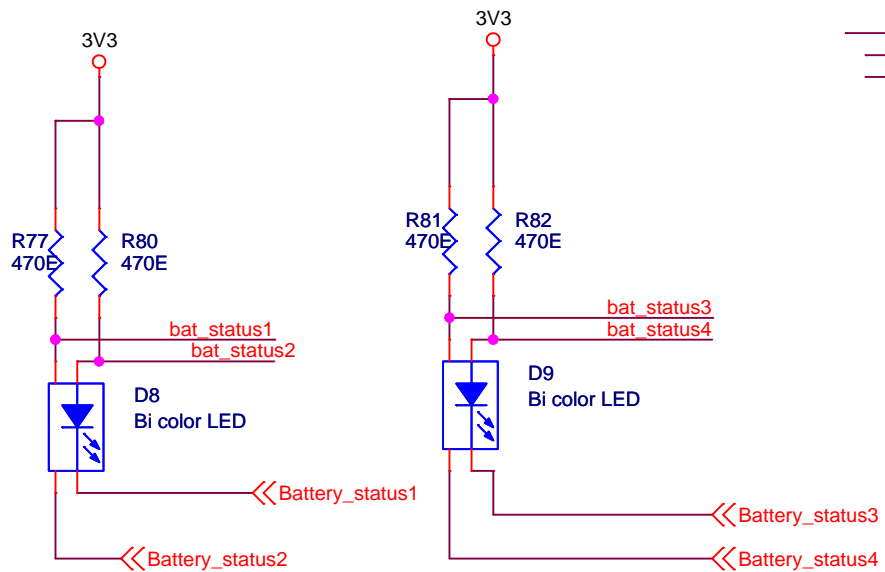


भारत इलेक्ट्रॉनिक्स
BHARAT ELECTRONICS
 CENTRAL RESEARCH LABORATORY

Title		Author	
MAX17049,KS74V3000mA BATTERY		Name>	
Size	Part Number	Rev	
A	ECU	2.0	
Date: Thursday, August 13, 2015		Sheet	1 of 6

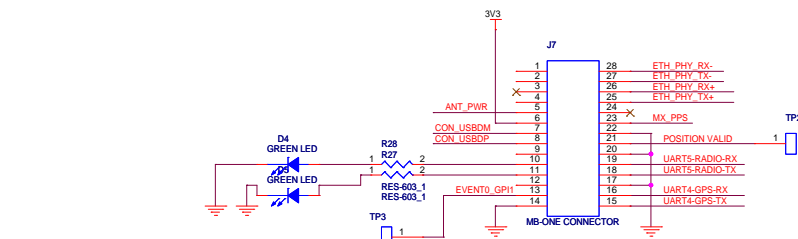
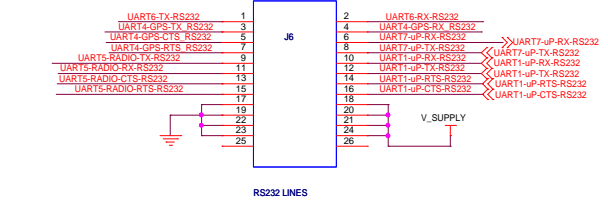
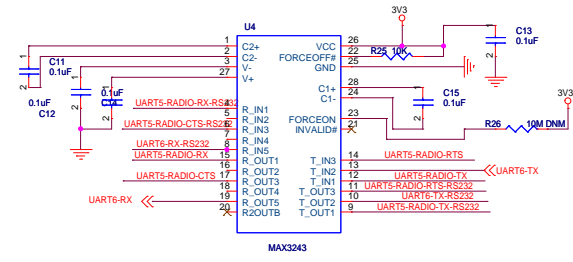
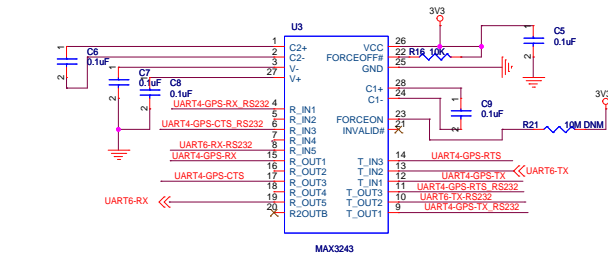
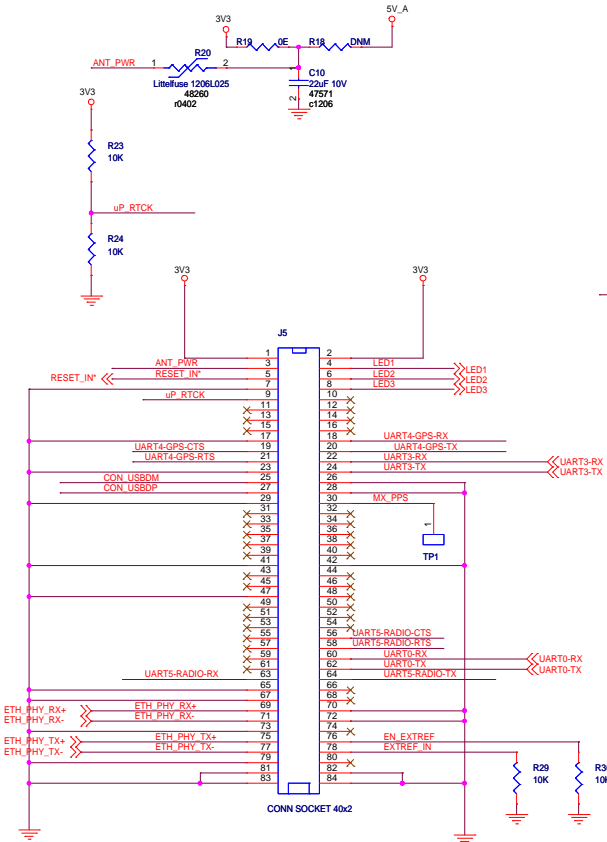


Title		
<Title>		
Size	Document Number	Rev
A	<Doc>	<RevCode>
Date:	Thursday, August 13, 2015	Sheet 1 of 1

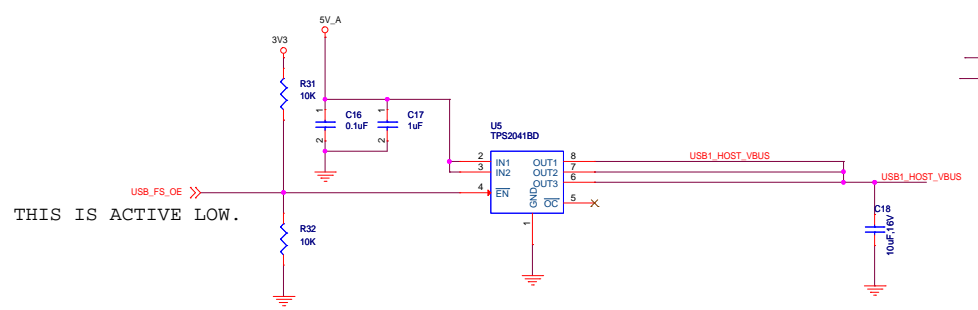


Title		
<Title>		
Size A	Document Number	Rev
	<Doc>	<RevCode>
Date:	Thursday, August 13, 2015	Sheet 1 of 1

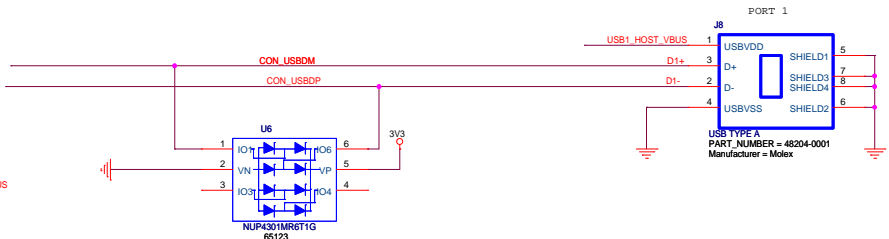
ANTENNA POWER SOURCE SELECTION

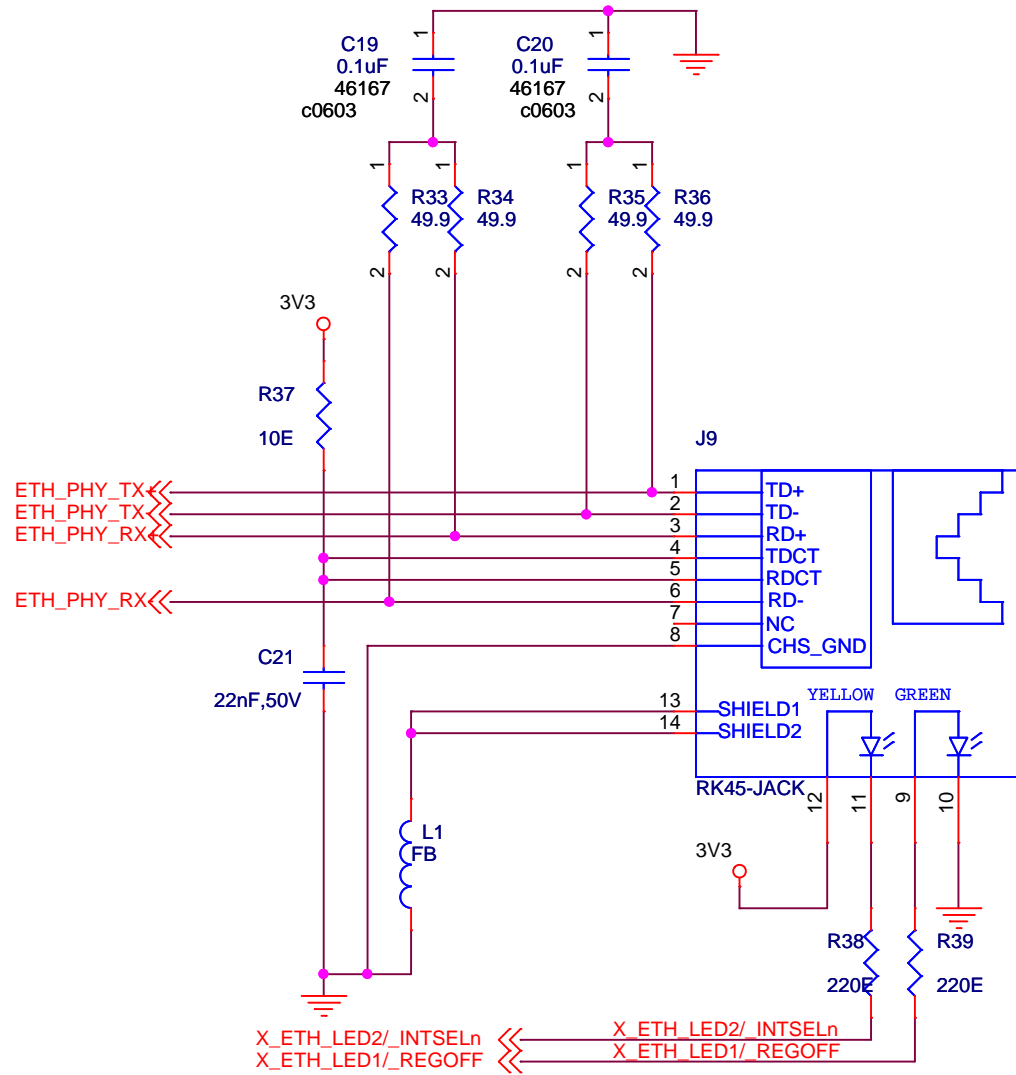



BD930 USB1 CONNECTOR (FULL SPEED, HOST ONLY)

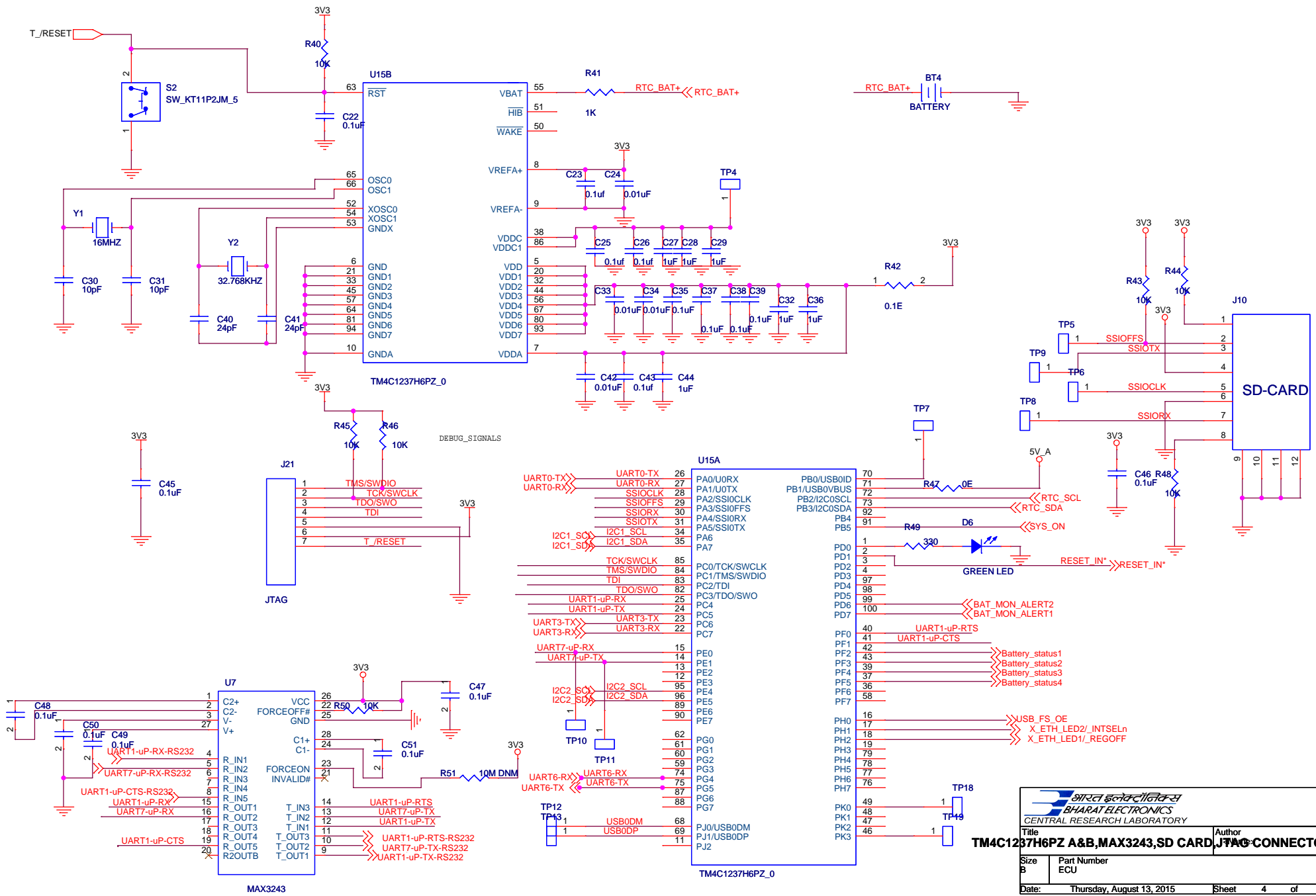


THIS IS ACTIVE LOW.

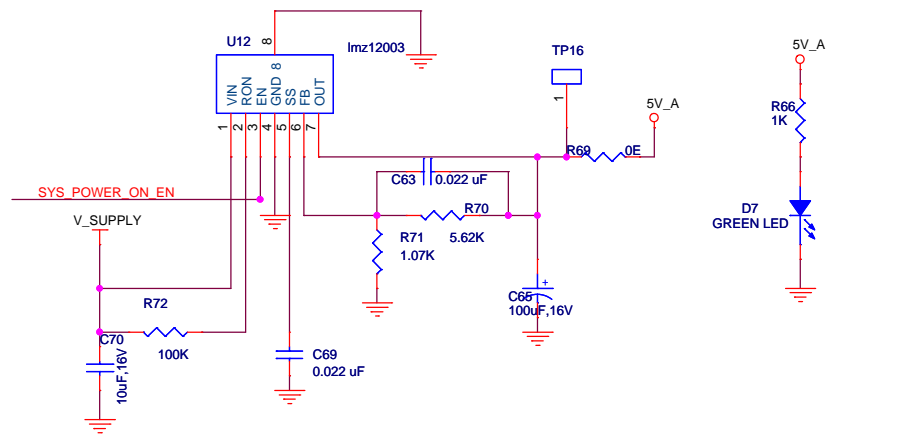
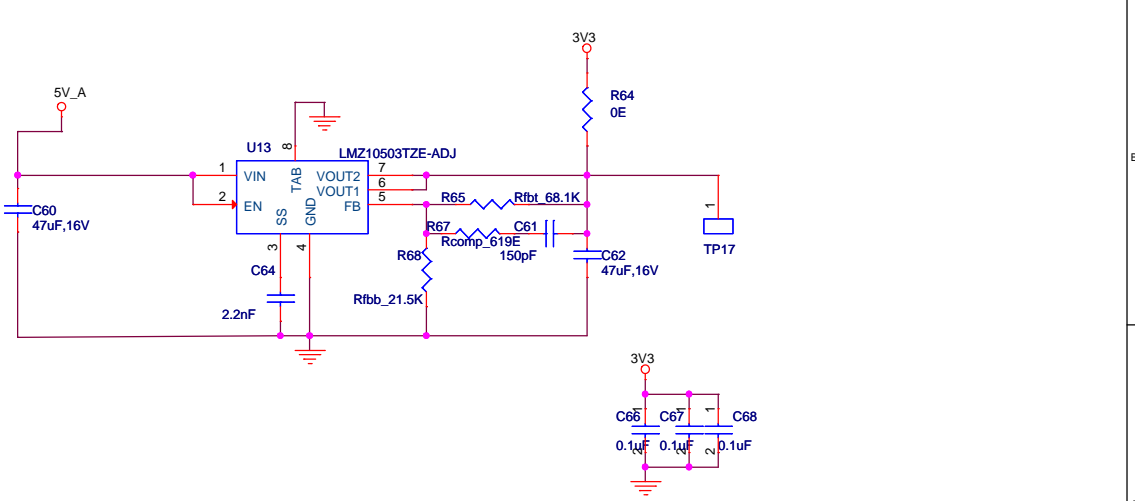
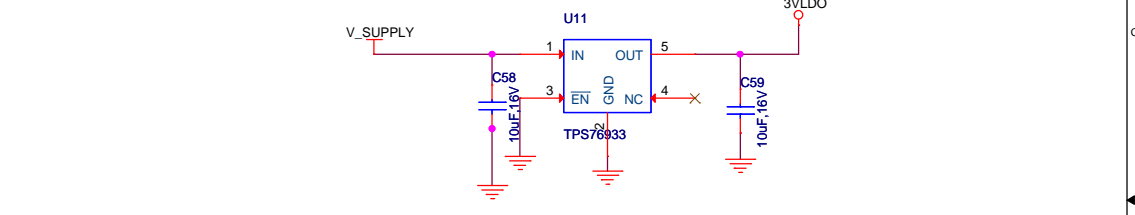
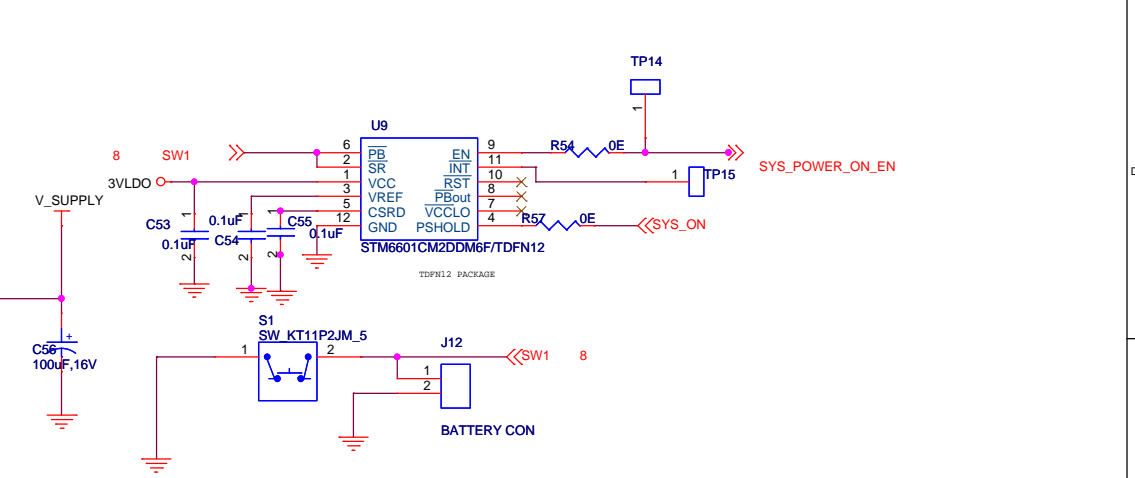
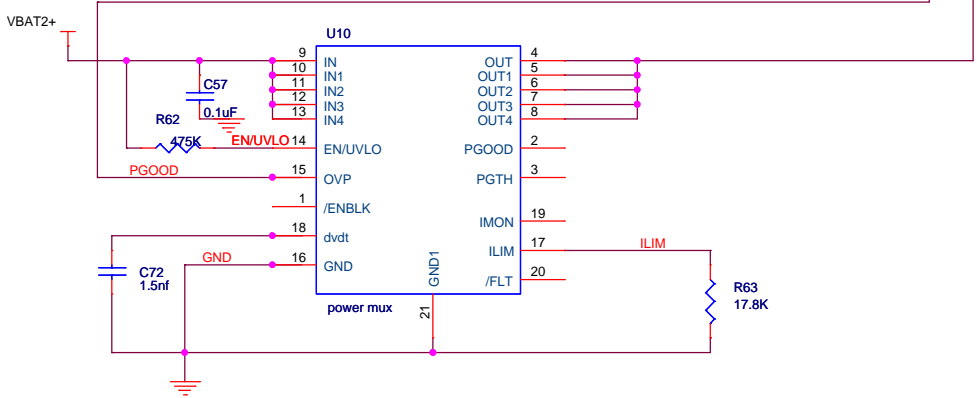
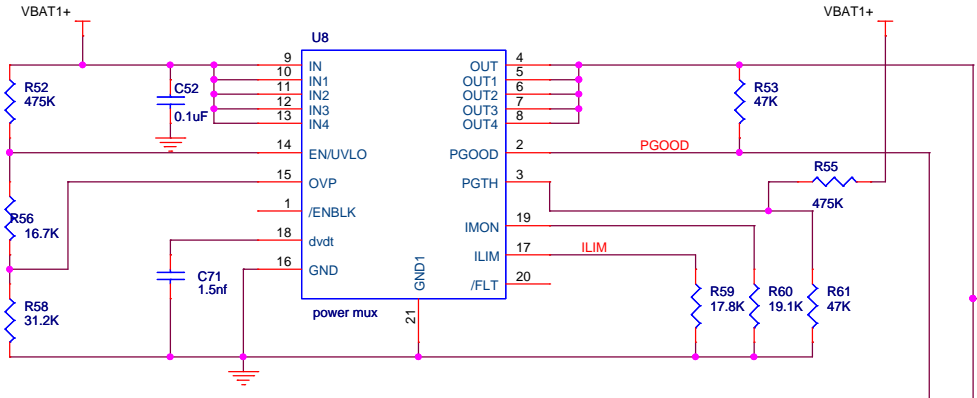




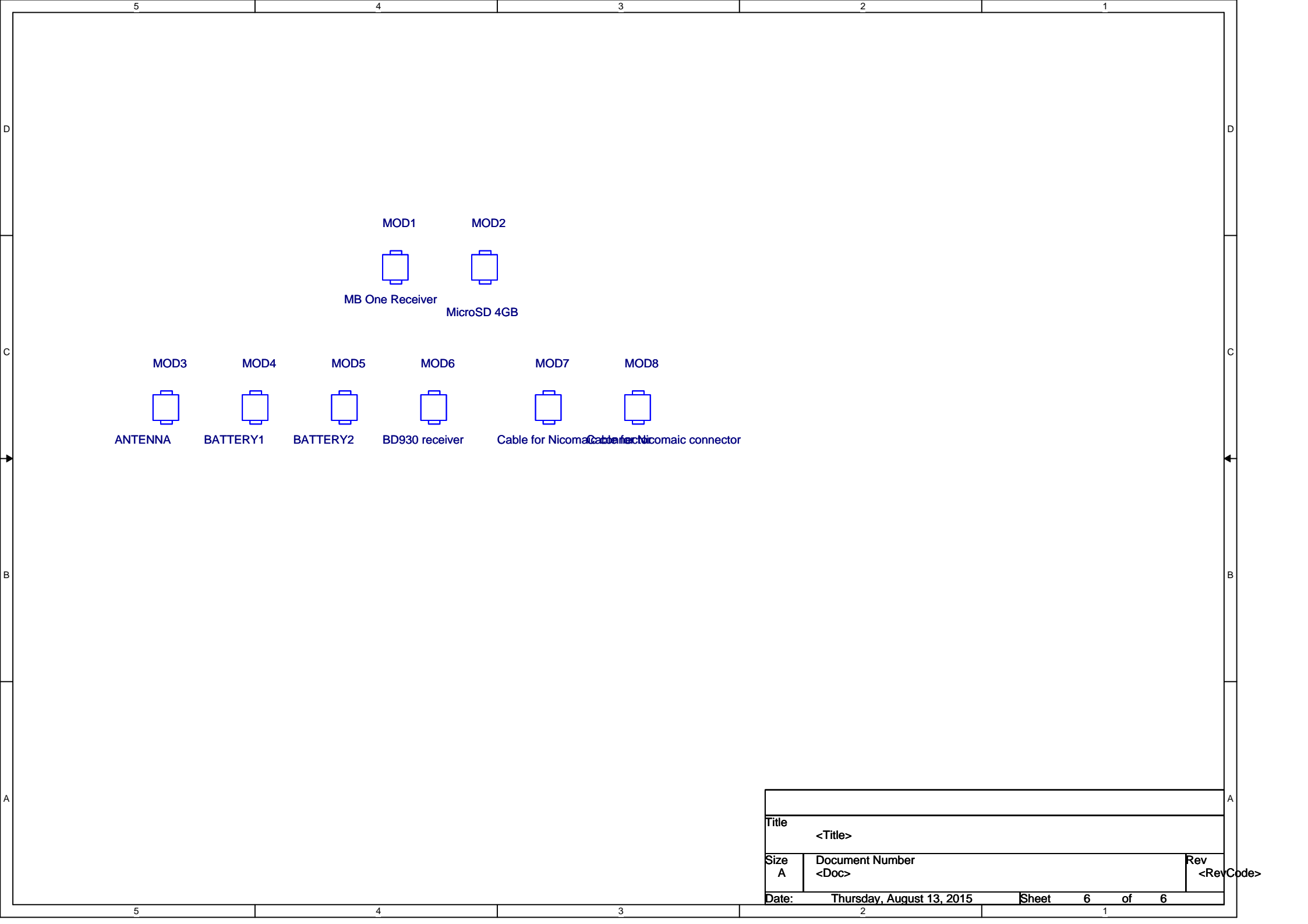
 BHARAT ELECTRONICS CENTRAL RESEARCH LABORATORY		
Title ETHERNET		Author <Name>
Size A	Part Number ECU	Rev 2.0
Date: Thursday, August 13, 2015 Sheet 3 of 6		



TM4C1237H6PZ A&B, MAX3243, SD CARD, JTAG CONNECTOR		
Title	Author	
Size	Part Number	Rev
B	ECU	2.0
Date:	Thursday, August 13, 2015	Sheet 4 of 6



 BHARAT ELECTRONICS CENTRAL RESEARCH LABORATORY		
Title LMZ12003, LMZ10503, TPS25942A		Author <Name>
Size B	Part Number ECU	Rev 2.0
Date: Thursday, August 13, 2015 Sheet 5 of 6		



MOD1

MOD2



MB One Receiver

MicroSD 4GB

MOD3

MOD4

MOD5

MOD6

MOD7

MOD8



ANTENNA

BATTERY1

BATTERY2

BD930 receiver

Cable for Nicoma

Cable for Nicomaic connector

Title		
<Title>		
Size	Document Number	Rev
A	<Doc>	<RevCode>
Date:	Thursday, August 13, 2015	Sheet 6 of 6