

6

5

4

3

2

1

REVISION RECORD			
LTR	ECO NO.	APPROVED:	DATE:

D

C

B

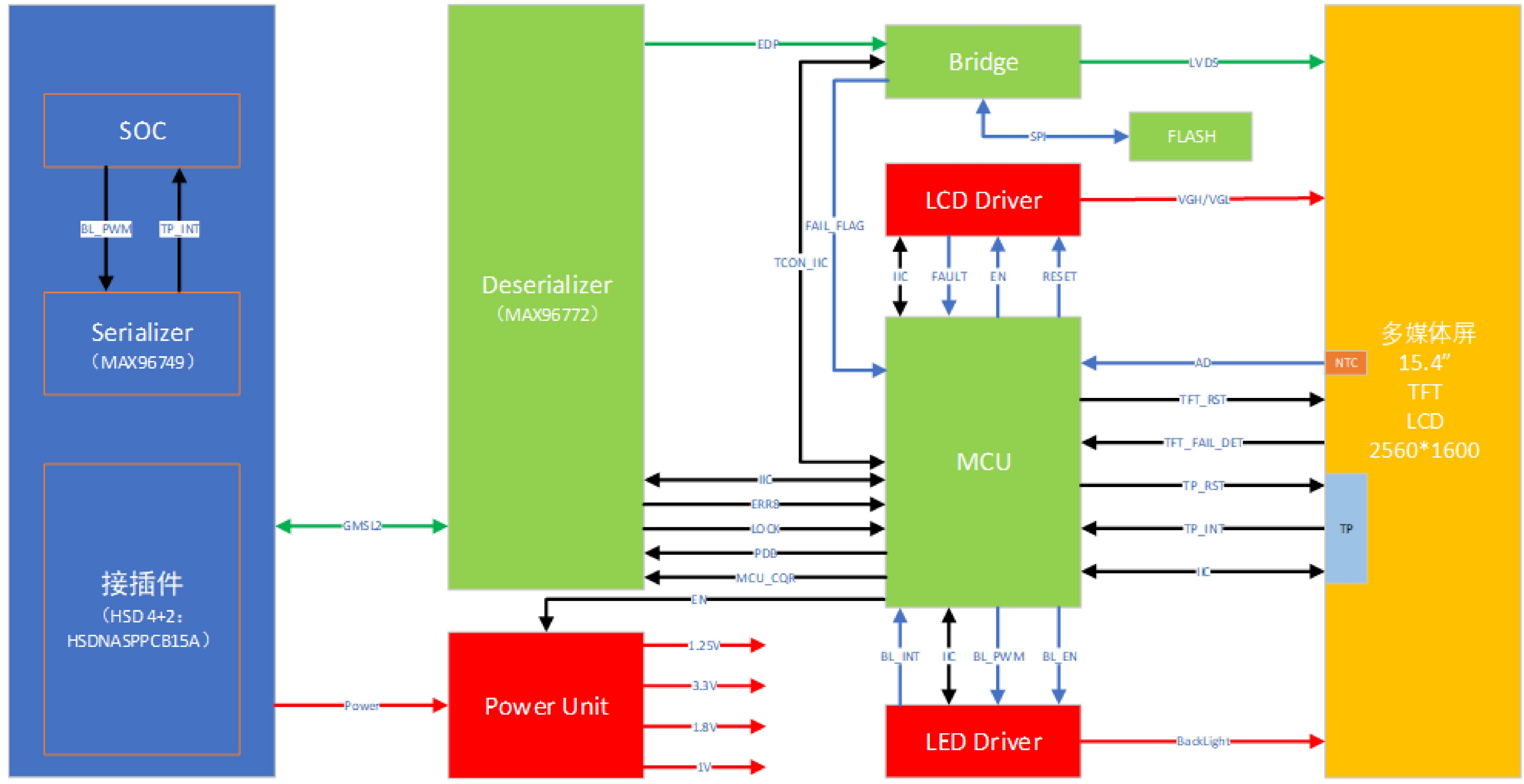
A

D

C

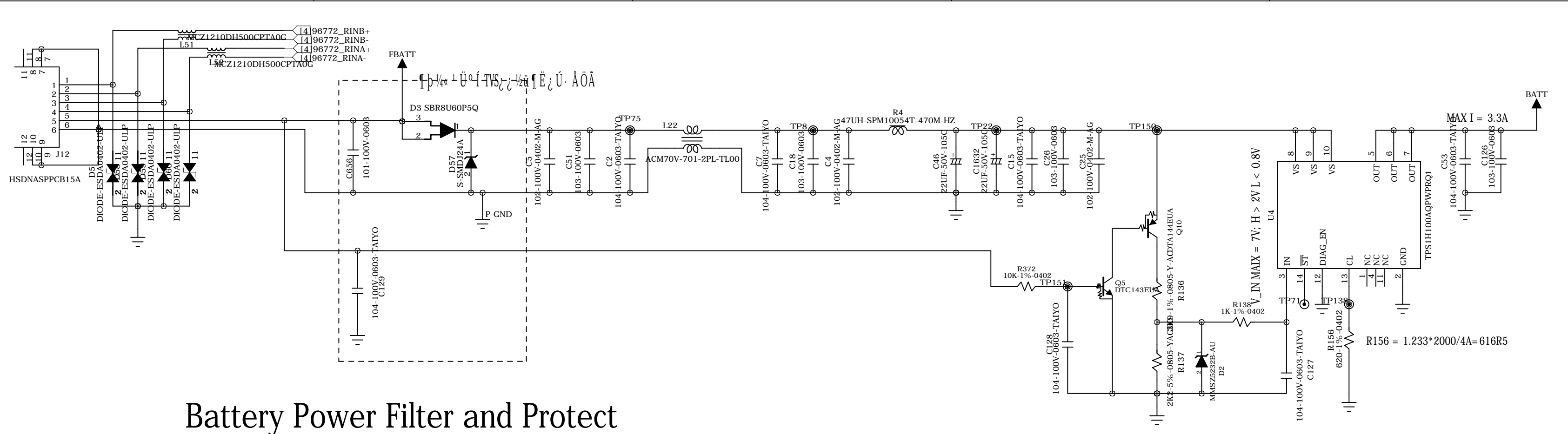
B

A



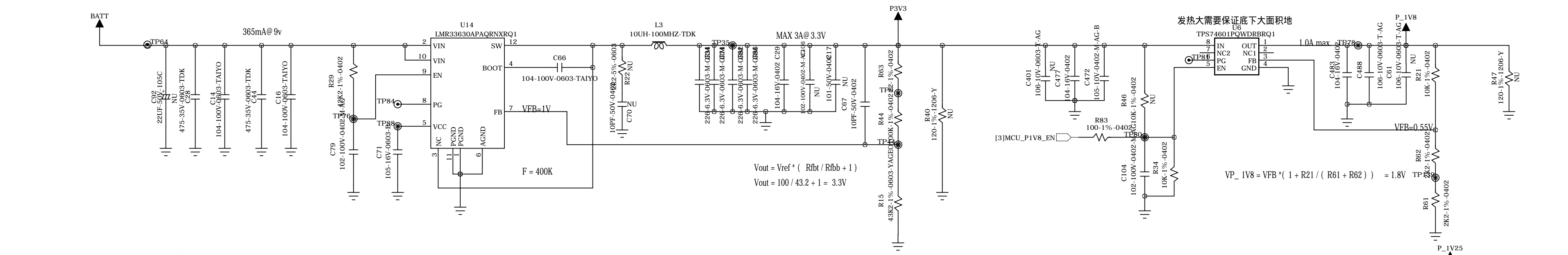
COMPANY: PATEO			
TITLE: H56C IVI TFT			
CODE: H56C	SIZE: A2	DRAWING NO.: <Drawing Number>	REV: V1.0
DRAWN: Li Zhou		DATED: 2024-1-18	
CHECKED: Much Ma		DATED: <Checked Date>	
QUALITY CONTROL: <QC By>		DATED: <QC Date>	
RELEASED: <Released By>		DATED: <Release Date>	
SCALE: <Scale>			SHEET: 8

REVISION RECORD			
LTR	ECO NO:	APPROVED:	DATE:

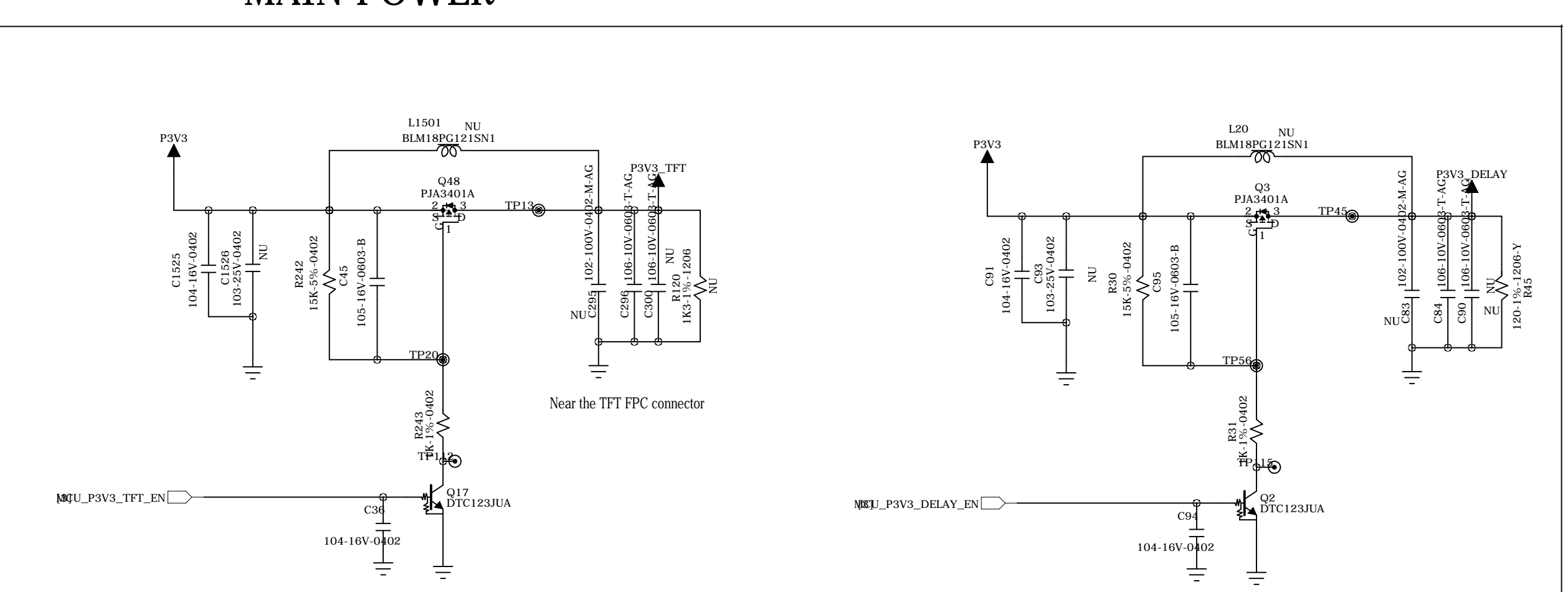


Battery Power Filter and Protect

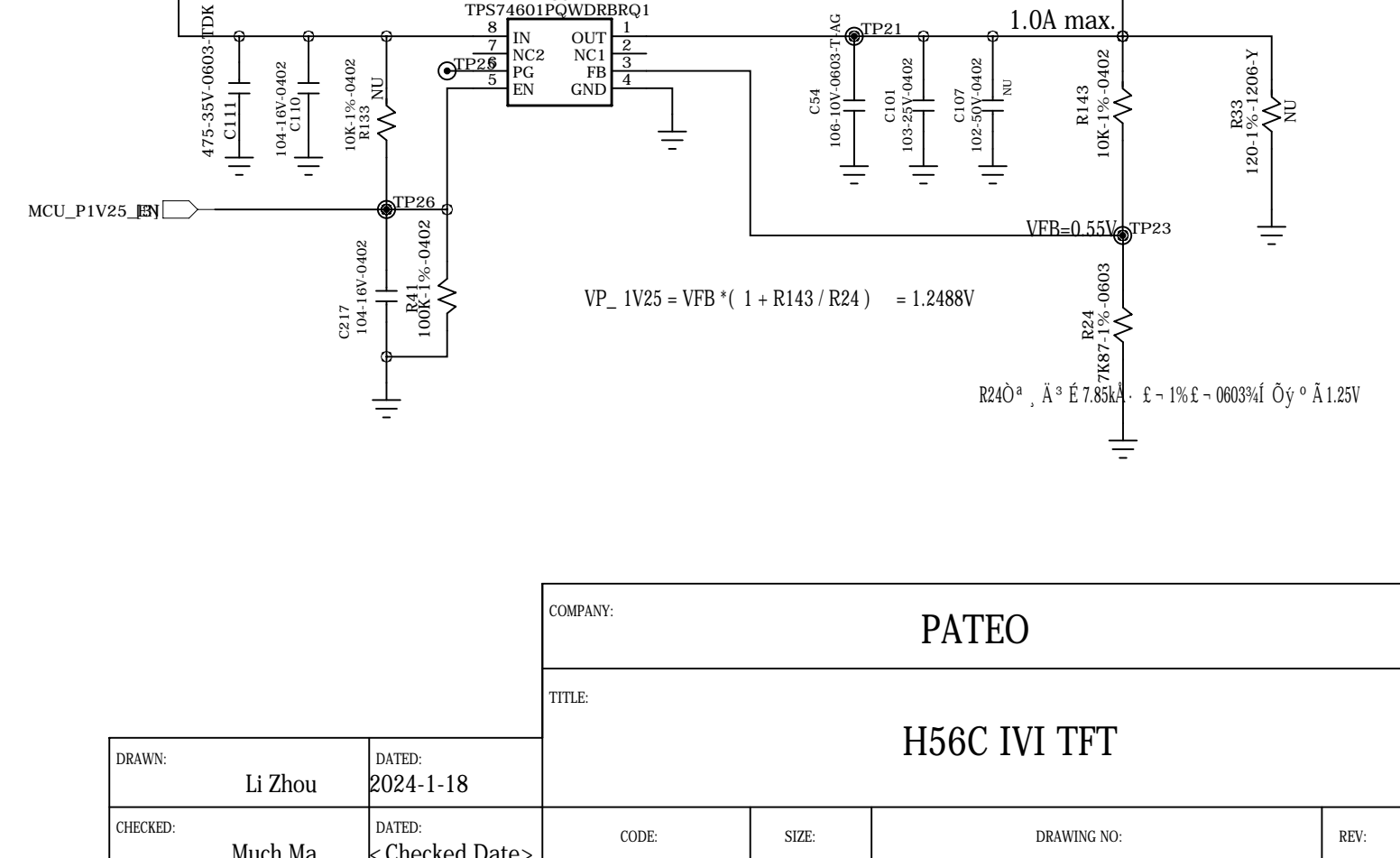
C46 Leakage current : MAX = 3uA  
 Q10 Ioff MAX = 0.5uA  
 U2 Standby current : MAX = 5uA  
 Total Leakage current : MAX = 3 \* 2 + 0.5 + 5 = 11.5 uA



MAIN POWER



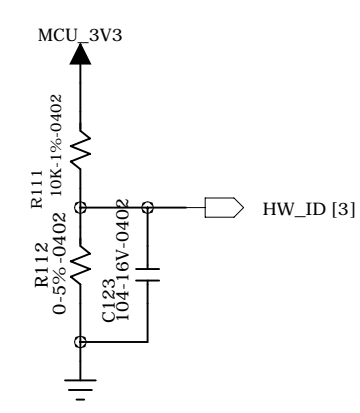
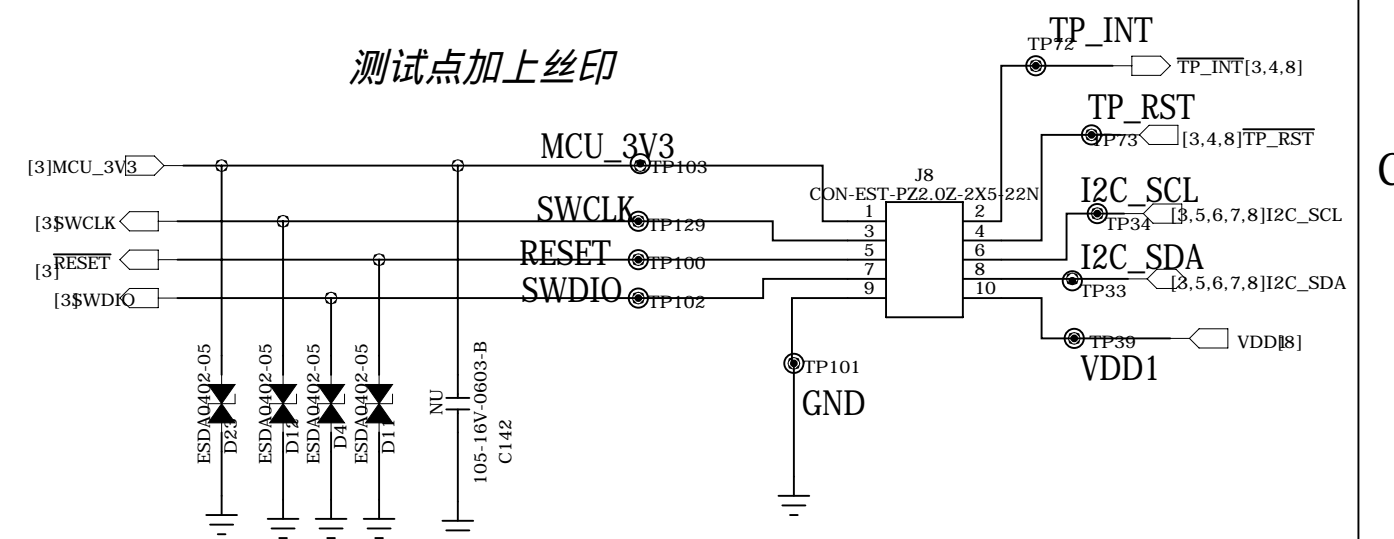
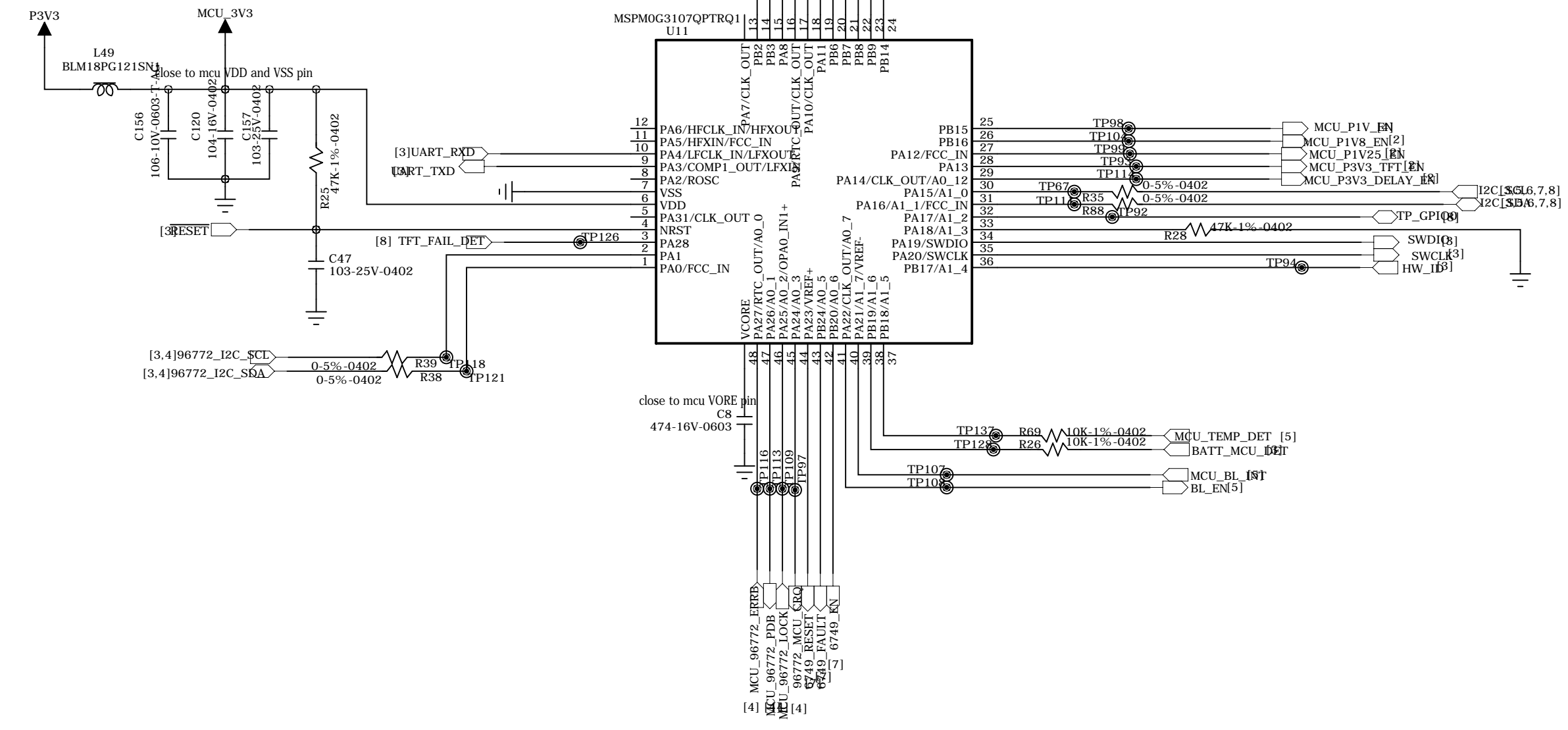
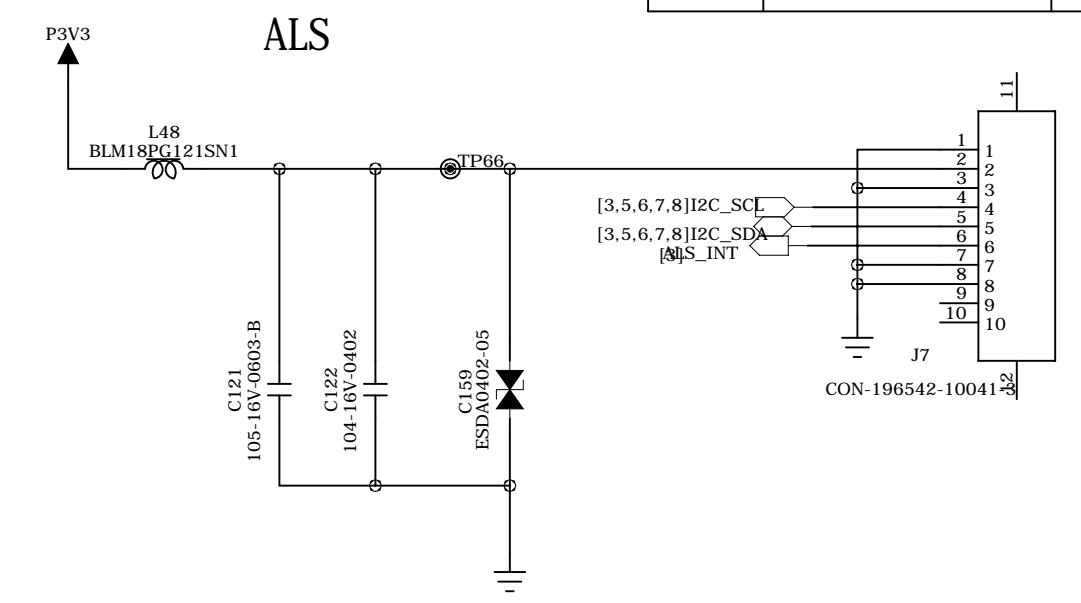
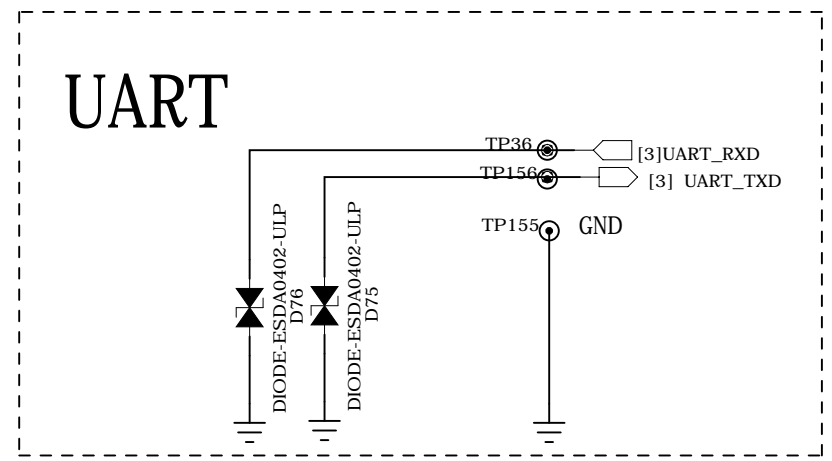
P3V3\_TFT Power Control



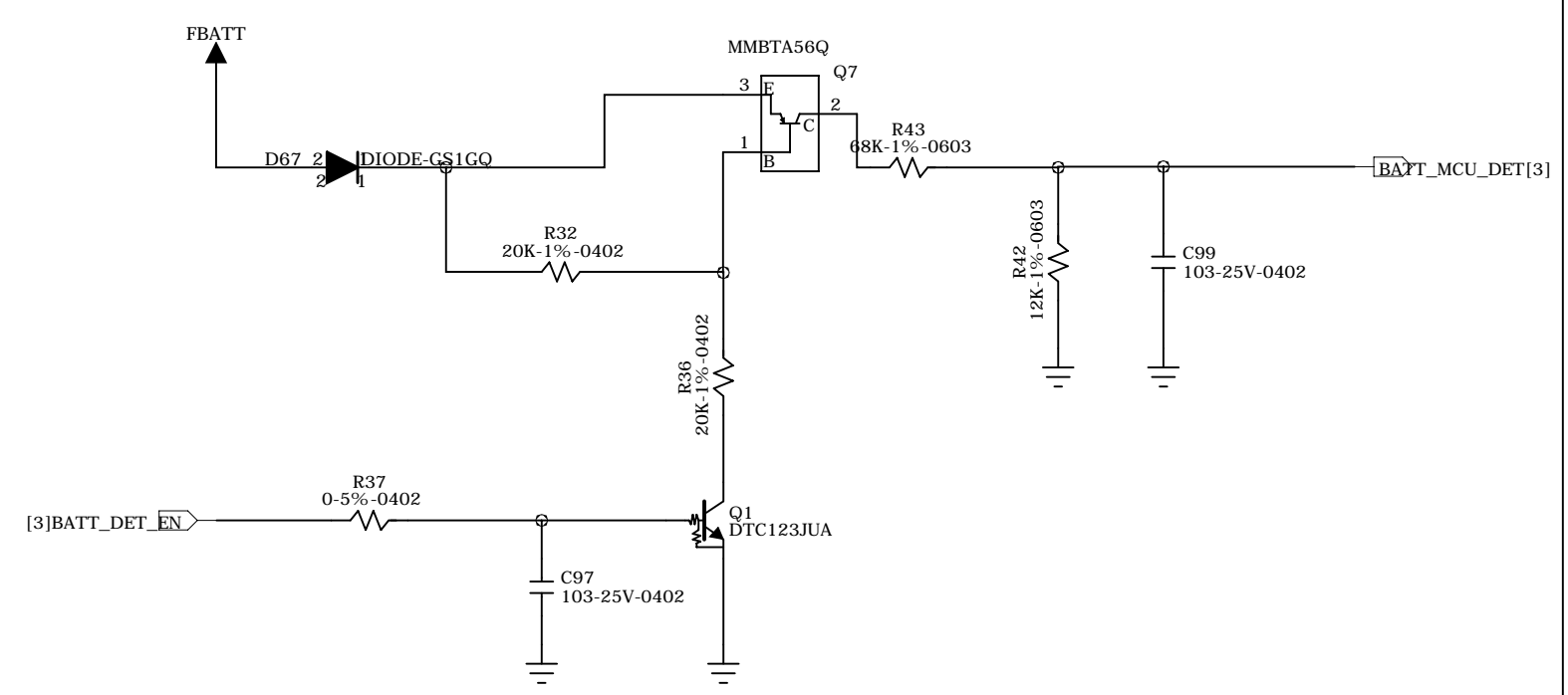
P3V3\_DELAY Power Control

COMPANY: PATEO			
TITLE: H56C IVI TFT			
DRAWN: Li Zhou	DATED: 2024-1-18	CODE: H56C	SIZE: A2
CHECKED: Much Ma	DATED: <Checked Date>	DRAWING NO: <Drawing Number>	REV: V1.0
QUALITY CONTROL: <QC By>	DATED: <QC Date>	SCALE: <Scale>	SHEET: 8
RELEASED: <Released By>	DATED: <Release Date>		

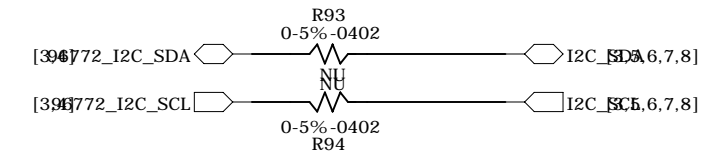
REVISION RECORD			
LTR	ECO NO:	APPROVED:	DATE:



Hardware version detection



Battery voltage detection



Version	R111		R112		R123		R124	
	Ω	Ω	Ω	Ω	Ω	Ω	Ω	
V1.0	10	0	0	0	0	0	0	
V2.0	10	1.8	0.503	0	0	0	0	
V3.0	10	4.7	1.055	0	0	0	0	
V4.0	10	8.2	1.48	0	0	0	0	
V5.0	10	15	1.98	0	0	0	0	
V6.0	10	30	2.495	0	0	0	0	
V7.0	10	100	3	0	0	0	0	

COMPANY: PATEO			
TITLE: H56C IVI TFT			
DRAWN: Li Zhou	DATED: 2024-1-18	CODE: H56C	SIZE: A2
CHECKED: Much Ma	DATED: <Checked Date>	DRAWING NO: <Drawing Number>	REV: V1.0
QUALITY CONTROL: <QC By>	DATED: <QC Date>	SHEET: 3 of 8	
RELEASED: <Released By>	DATED: <Release Date>	SCALE: <Scale>	