

6

5

4

3

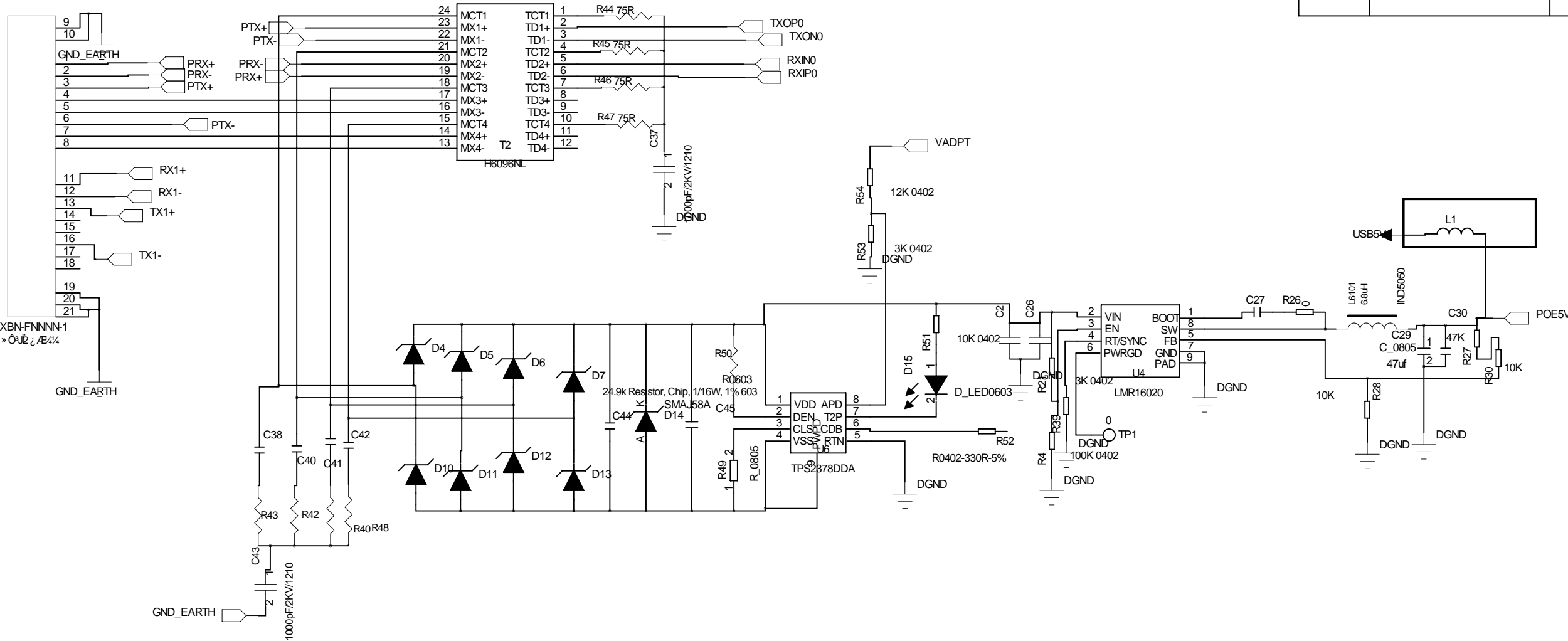
2

1

REVISION RECORD			
LTR	ECONO.	APPROVED:	DATE:

D

D



C

C

B

B

A

COMPANY:

<Company Name>

TITLE: