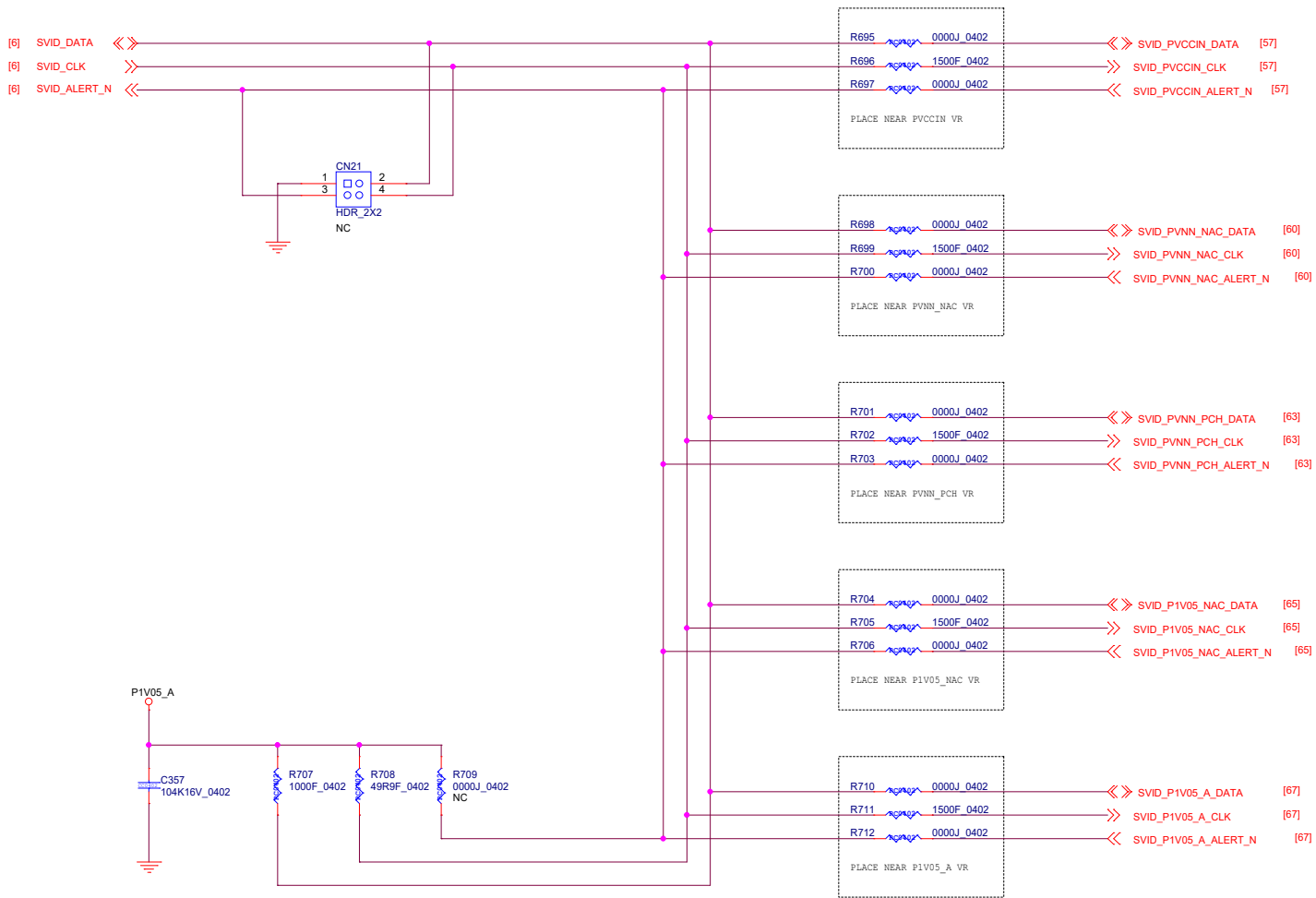
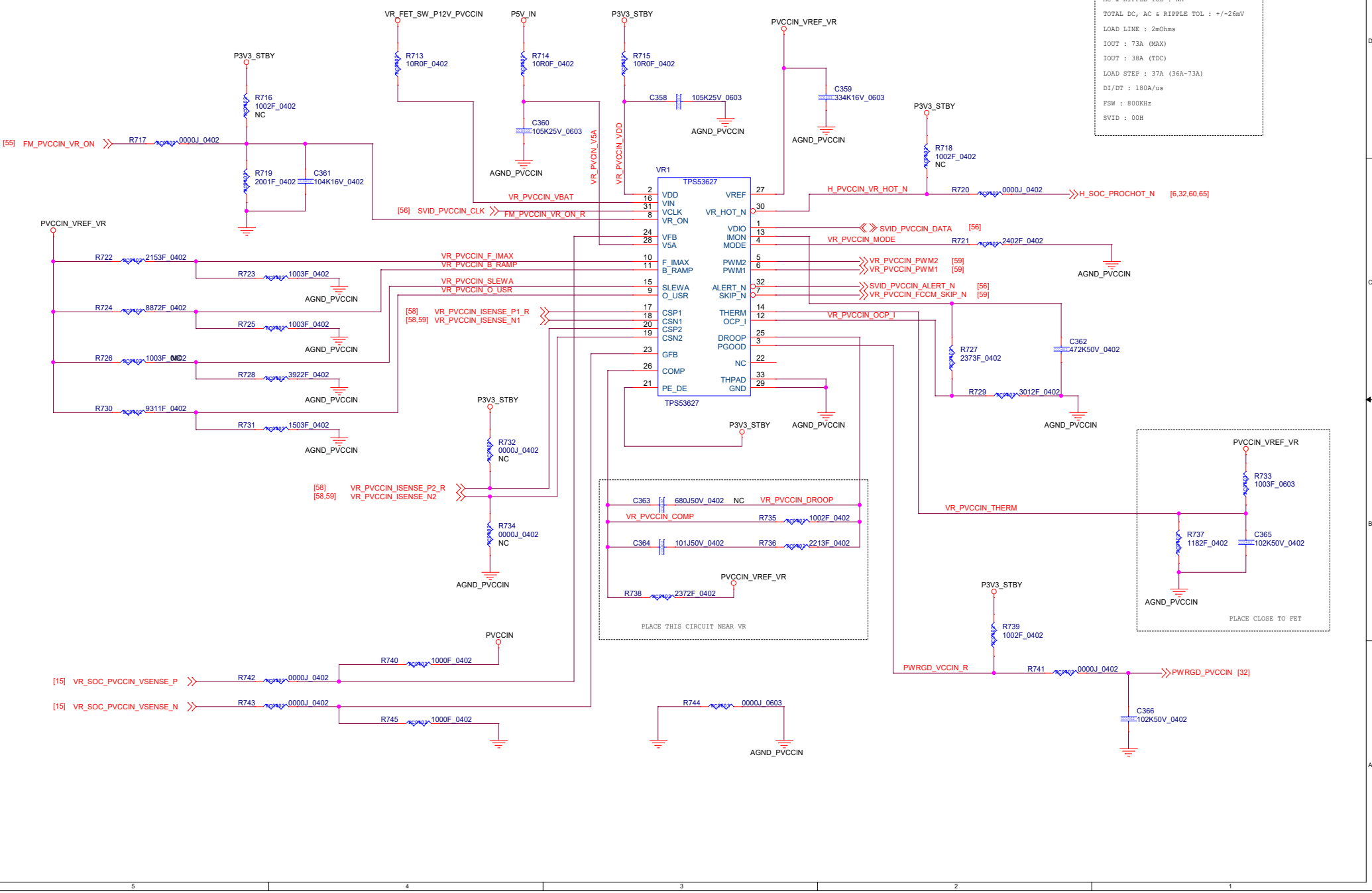


SVID_BUS

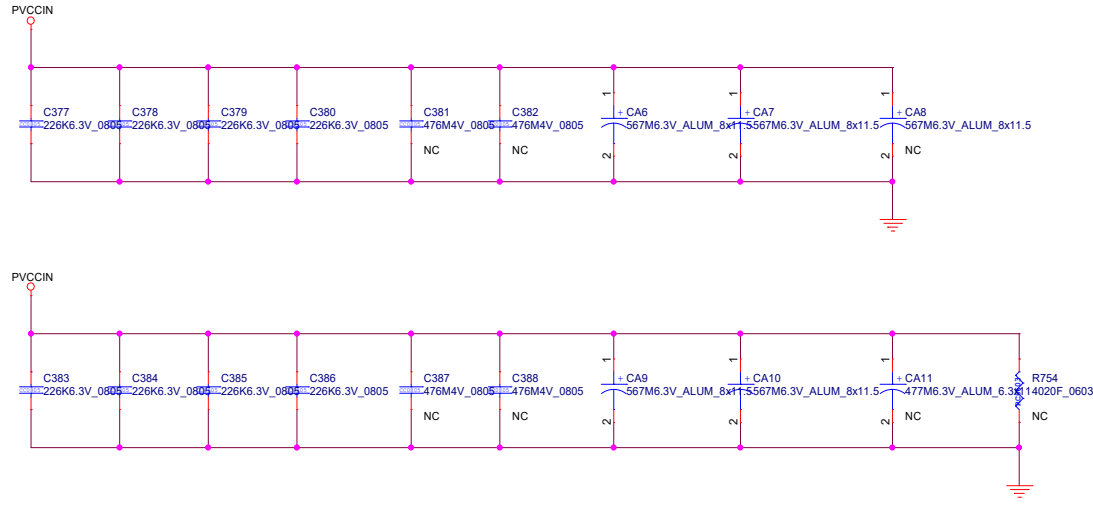
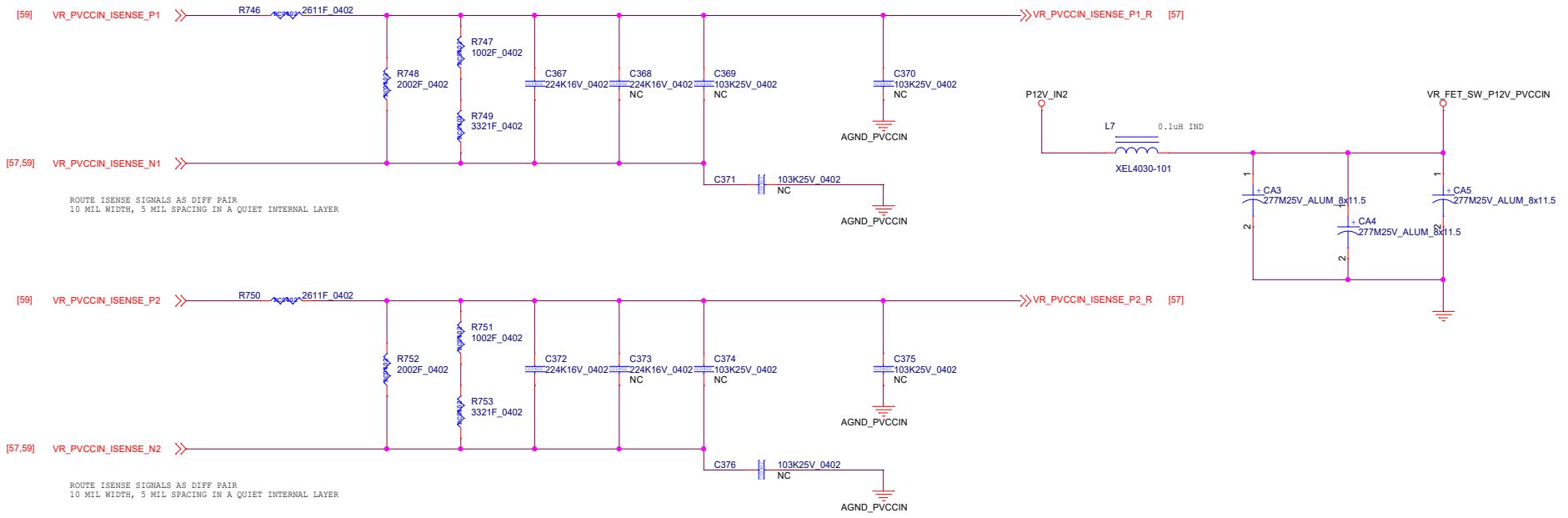


VR SPECS :

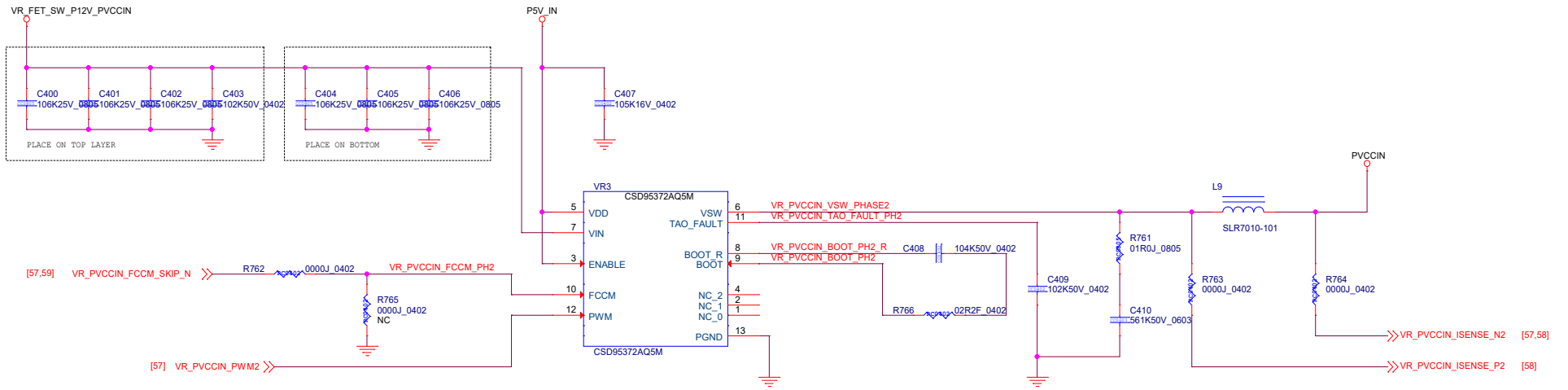
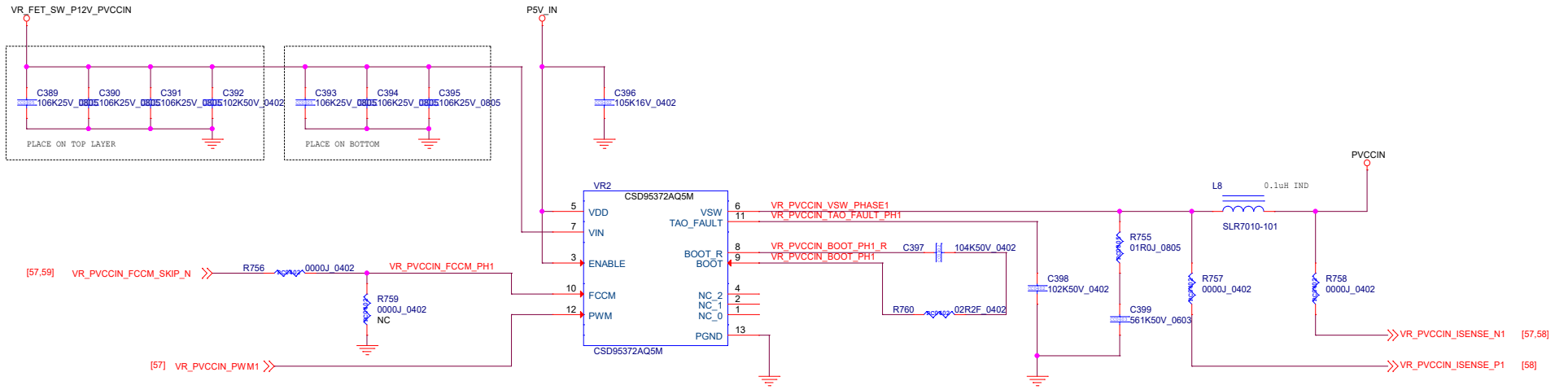
- VOUT = SVID(1.5V-2V) VNMINAL:1.8V
- VBOOT : 1.8V
- AC & RIPPLe TOL : NA
- TOTAL DC, AC & RIPPLe TOL : +/-26mV
- LOAD LINE : 2mOhms
- IOUT : 73A (MAX)
- IOUT : 38A (TDC)
- LOAD STEP : 37A (36A-73A)
- DI/DT : 180A/us
- FSW : 800KHz
- SVID : 00H



PVCCIN_VR (2 OF 3)



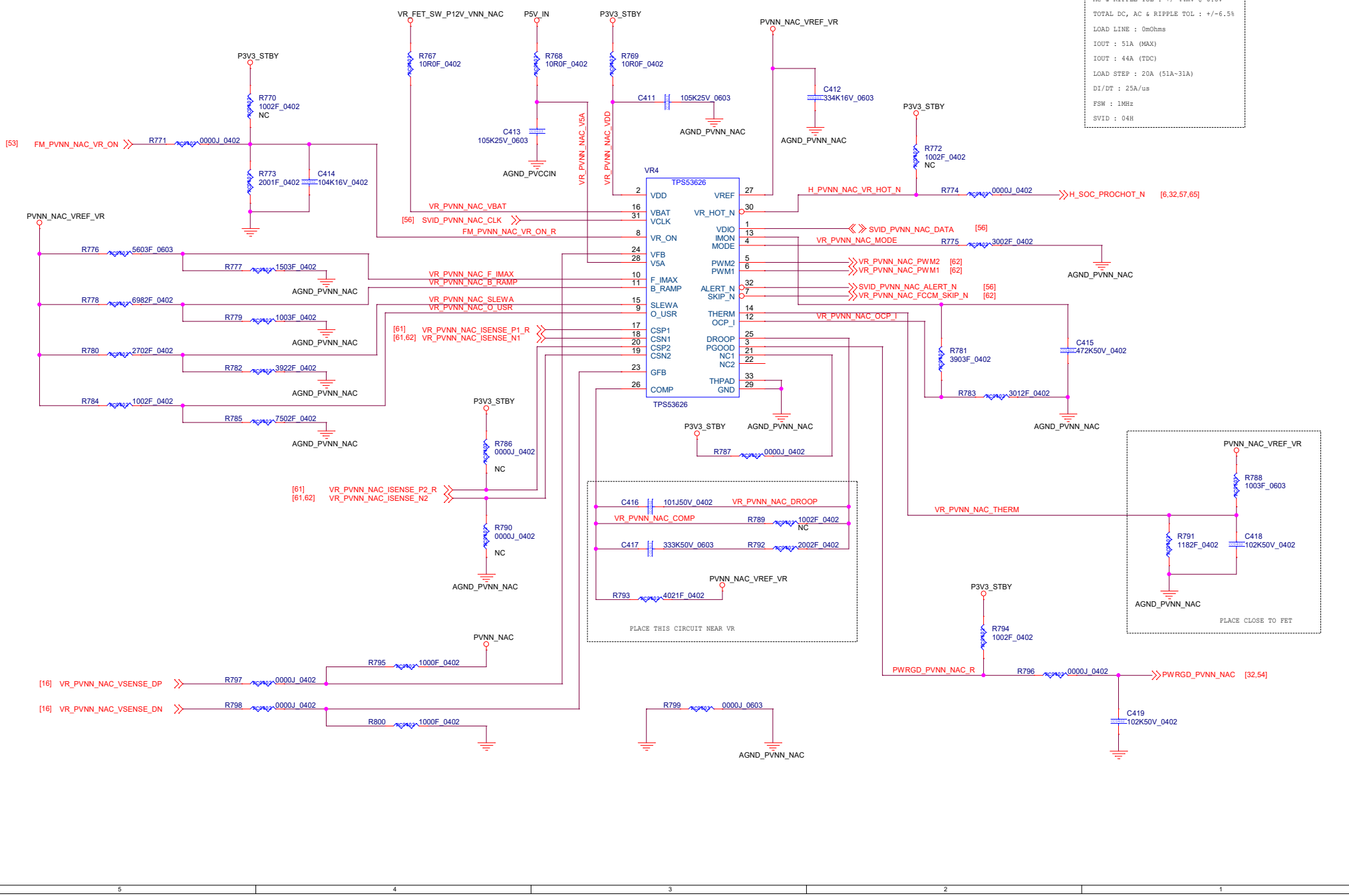
PVCCIN_VR (3 OF 3)



PVNN_NAC_VR (1 OF 3)

VR SPECS :

- VOUT = SVID(0.55-1.05V)
- VBOOT = 1.0V
- AC & RIPPLE TOL : +/-44mV @ 0.8V
- TOTAL DC, AC & RIPPLE TOL : +/-6.5%
- LOAD LINE : 0mOhms
- IOUT : 51A (MAX)
- IOUT : 44A (TDC)
- LOAD STEP : 20A (51A-31A)
- DI/DT : 25A/us
- FSW : 1MHz
- SVID : 04H



PLACE THIS CIRCUIT NEAR VR

PLACE CLOSE TO FET

[53] FM_PVNN_NAC_VR_ON

[56] SVID_PVNN_NAC_CLK

FM_PVNN_NAC_VR_ON R

[61] VR_PVNN_NAC_ISENSE_P1_R

[61.62] VR_PVNN_NAC_ISENSE_N1

[61] VR_PVNN_NAC_ISENSE_P2_R

[61.62] VR_PVNN_NAC_ISENSE_N2

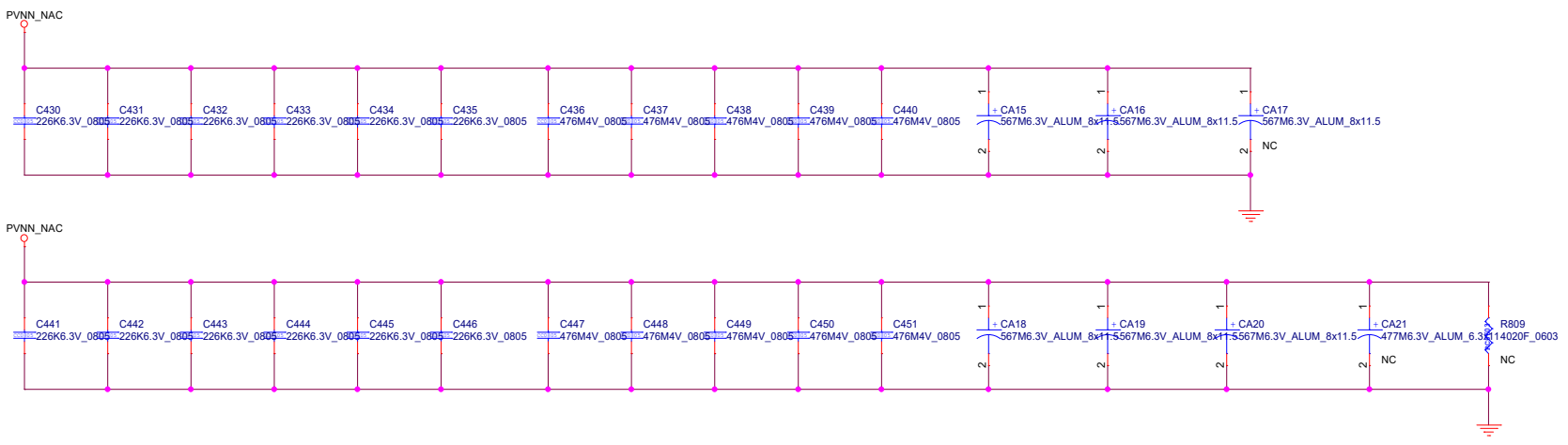
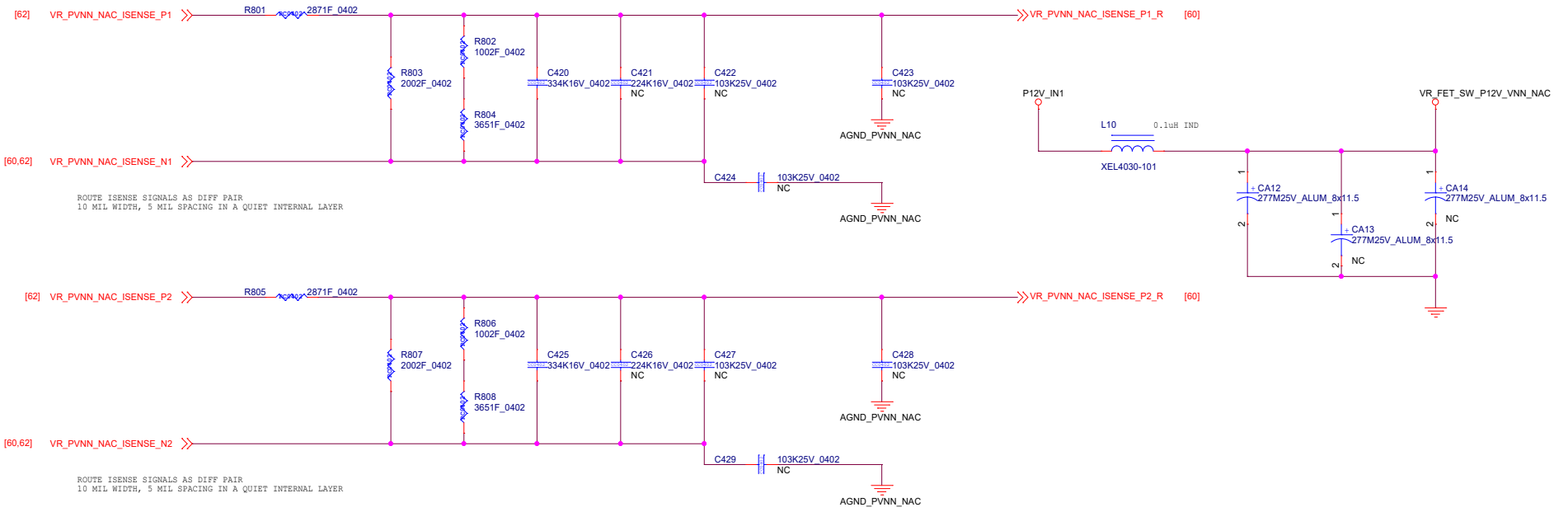
[16] VR_PVNN_NAC_VSENSE_DP

[16] VR_PVNN_NAC_VSENSE_DN

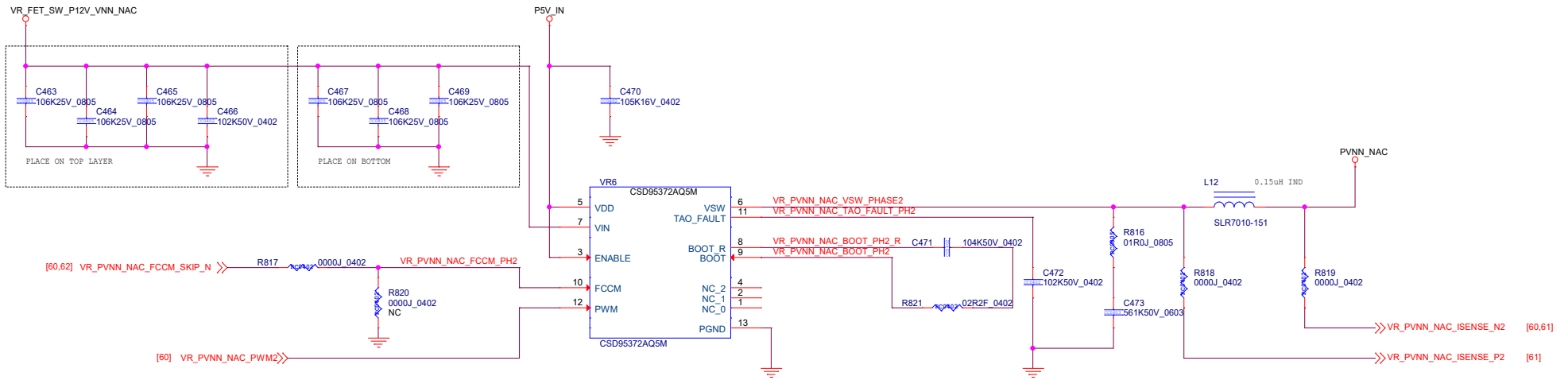
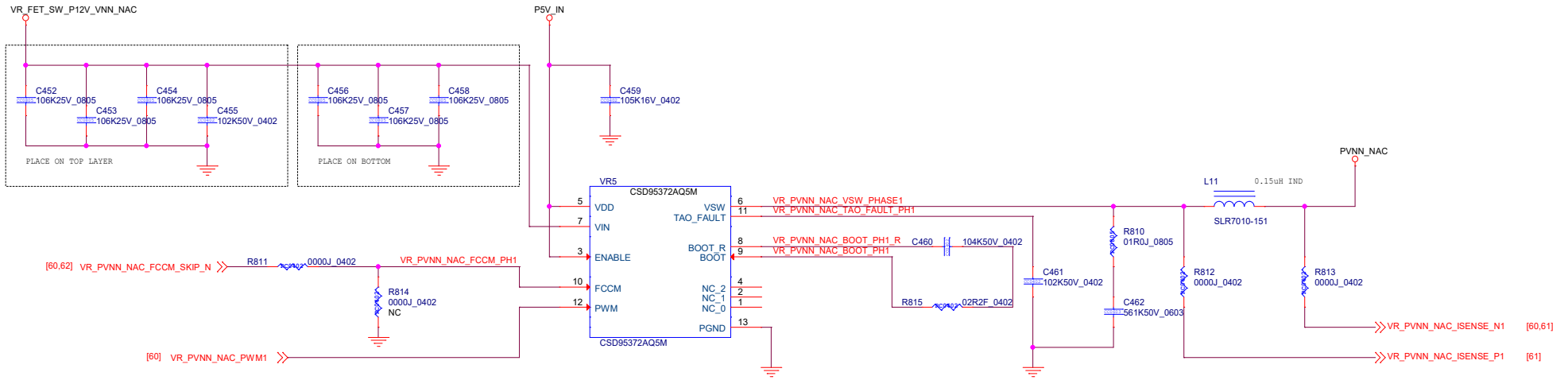
[6.32,57.65]

[32,54]

PVNN_NAC_VR (2 OF 3)



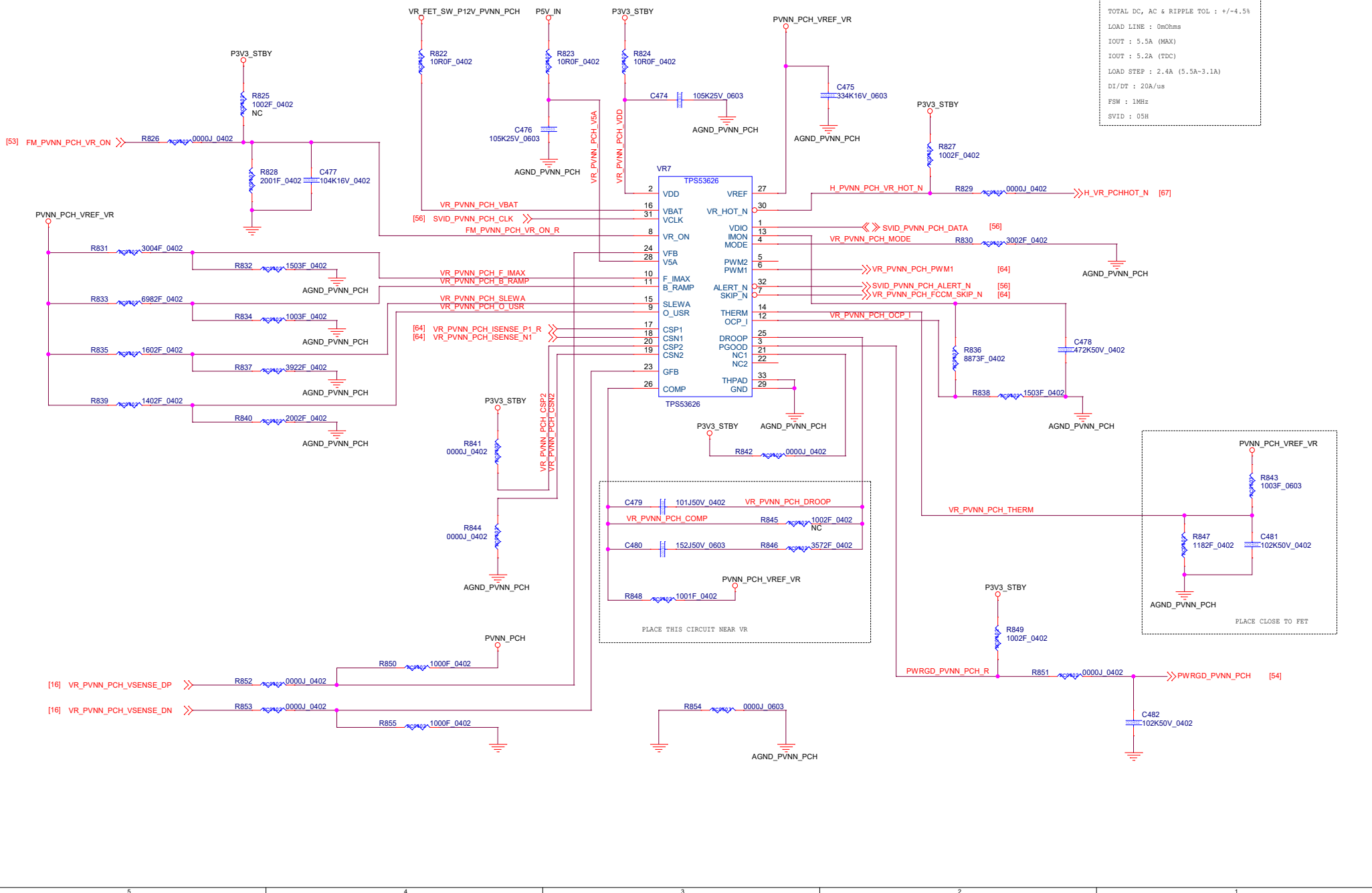
PVNN_NAC_VR (3 OF 3)



PVNN_PCH_VR (1 OF 2)

VR SPECS :

- VOUT = 0.55-1.05V
- VBOOT = 1.0V
- AC & RIPPLE TOL : +/-26.6mV
- TOTAL DC, AC & RIPPLE TOL : +/-4.5%
- LOAD LINE : 0mOhms
- IOUT : 5.5A (MAX)
- IOUT : 5.2A (TDC)
- LOAD STEP : 2.4A (5.5A-3.1A)
- DI/DT : 20A/us
- FSW : 1MHz
- SVID : 05H



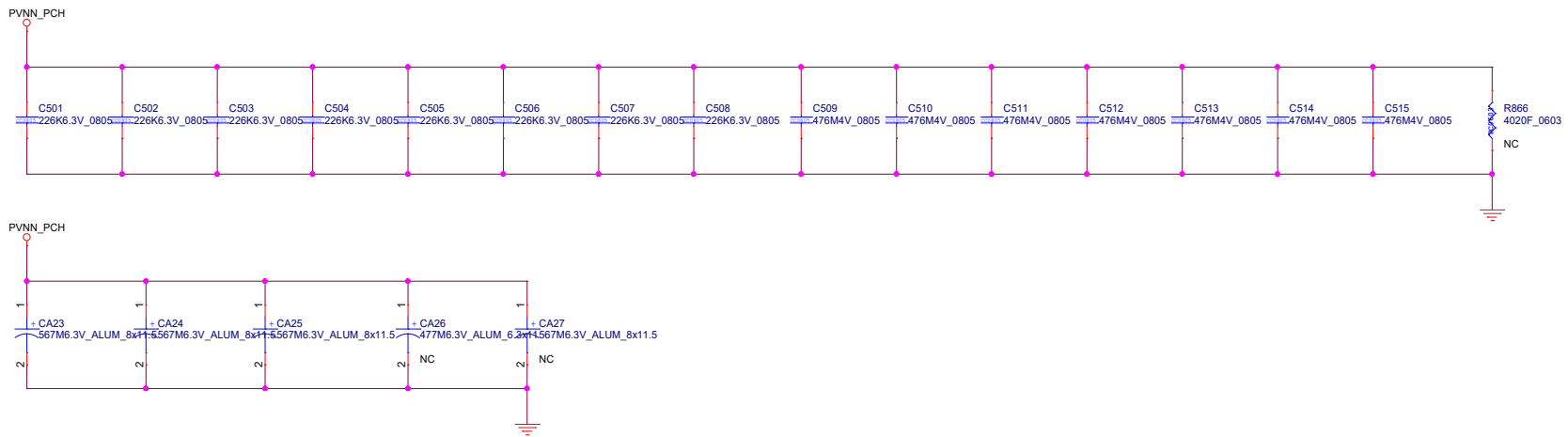
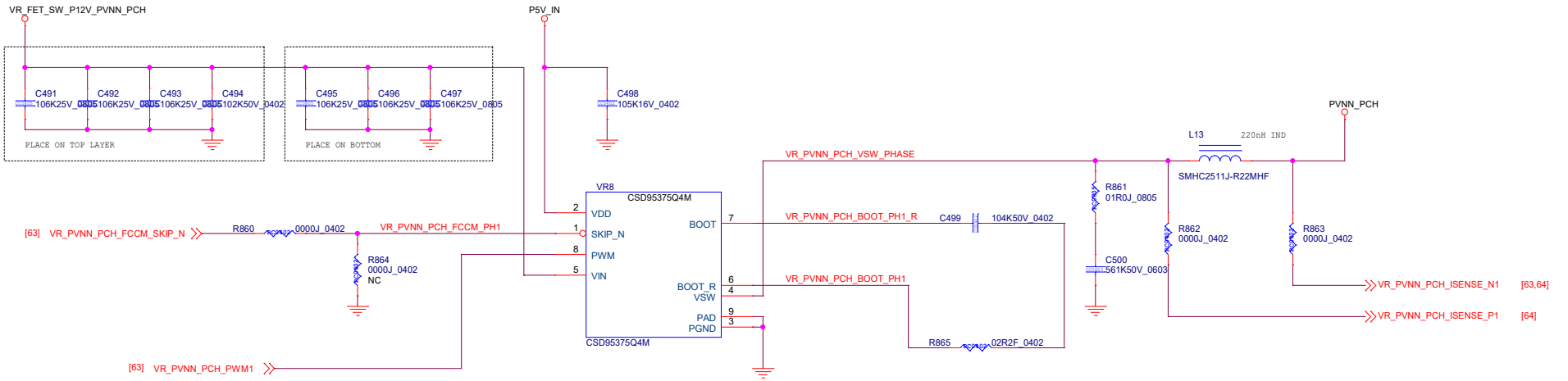
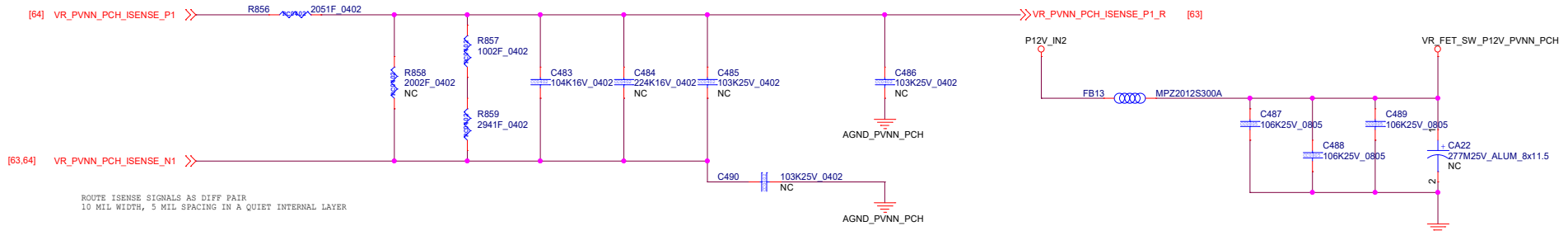
PLACE THIS CIRCUIT NEAR VR

C479 101J50V_0402 VR_PVNN_PCH_DROOP
 VR_PVNN_PCH_COMP R845 1002F_0402 NC
 C480 152J50V_0603 R846 3572F_0402
 PVNN_PCH_VREF_VR R848 1001F_0402

PLACE CLOSE TO FET

PVNN_PCH_VREF_VR R843 1003F_0603
 R847 1182F_0402
 C481 102K50V_0402
 AGND_PVNN_PCH

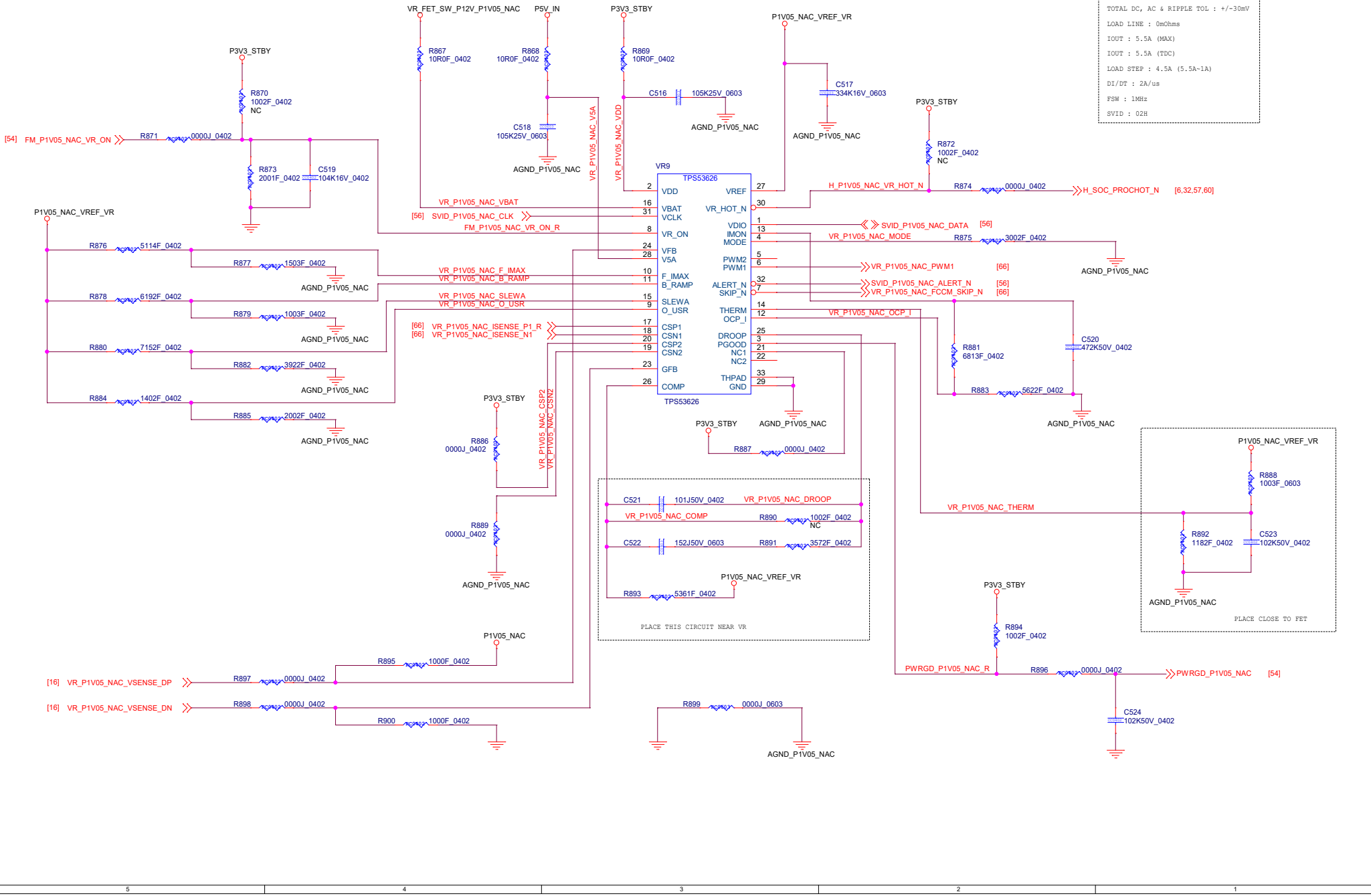
PVNN_PCH_VR (2 OF 2)



P1V05_NAC_VR (1 OF 2)

VR SPECS :

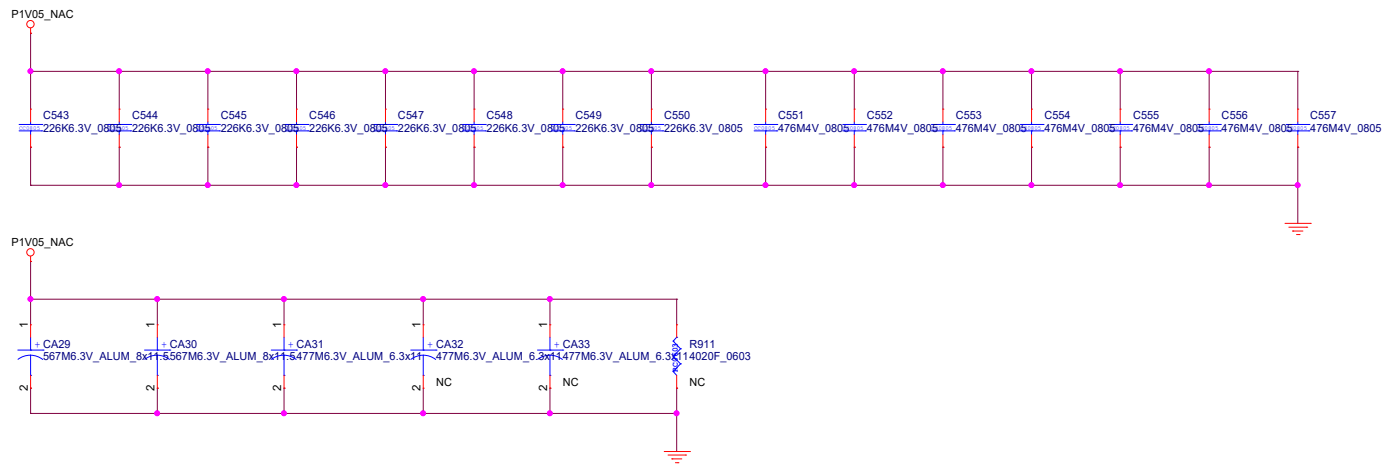
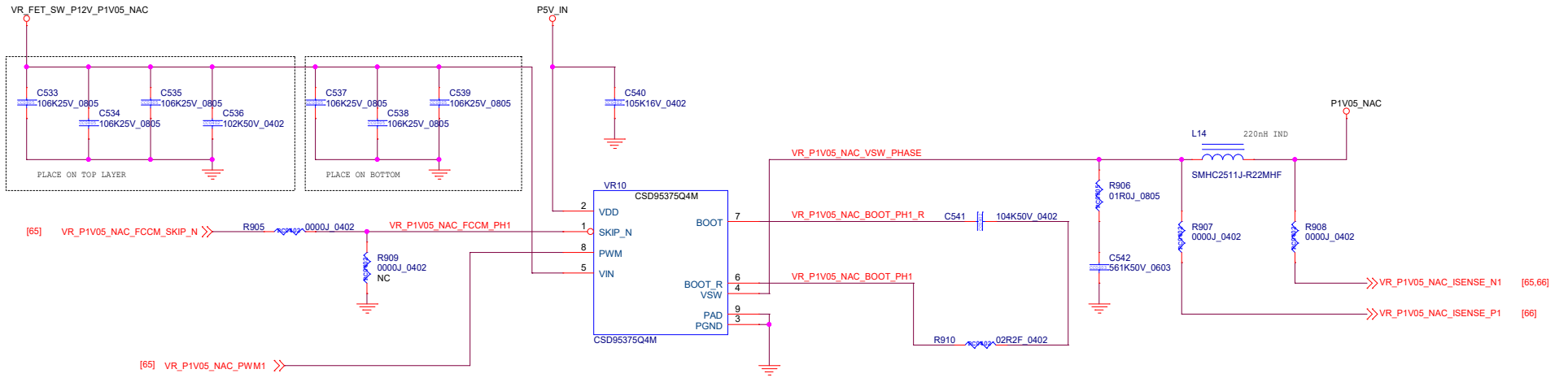
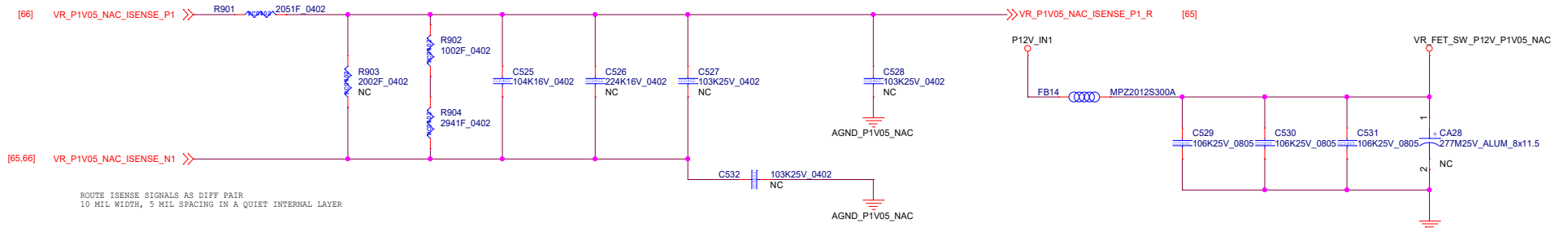
- VOUT = 1.05V
- VBOOT = 1.05V
- AC & RIPPLE TOL : +/-25mV
- TOTAL DC, AC & RIPPLE TOL : +/-30mV
- LOAD LINE : 0mOhms
- IOUT : 5.5A (MAX)
- IOUT : 5.5A (TDC)
- LOAD STEP : 4.5A (5.5A-1A)
- DI/DT : 2A/us
- FSW : 1MHz
- SVID : 02H



PLACE THIS CIRCUIT NEAR VR

PLACE CLOSE TO FET

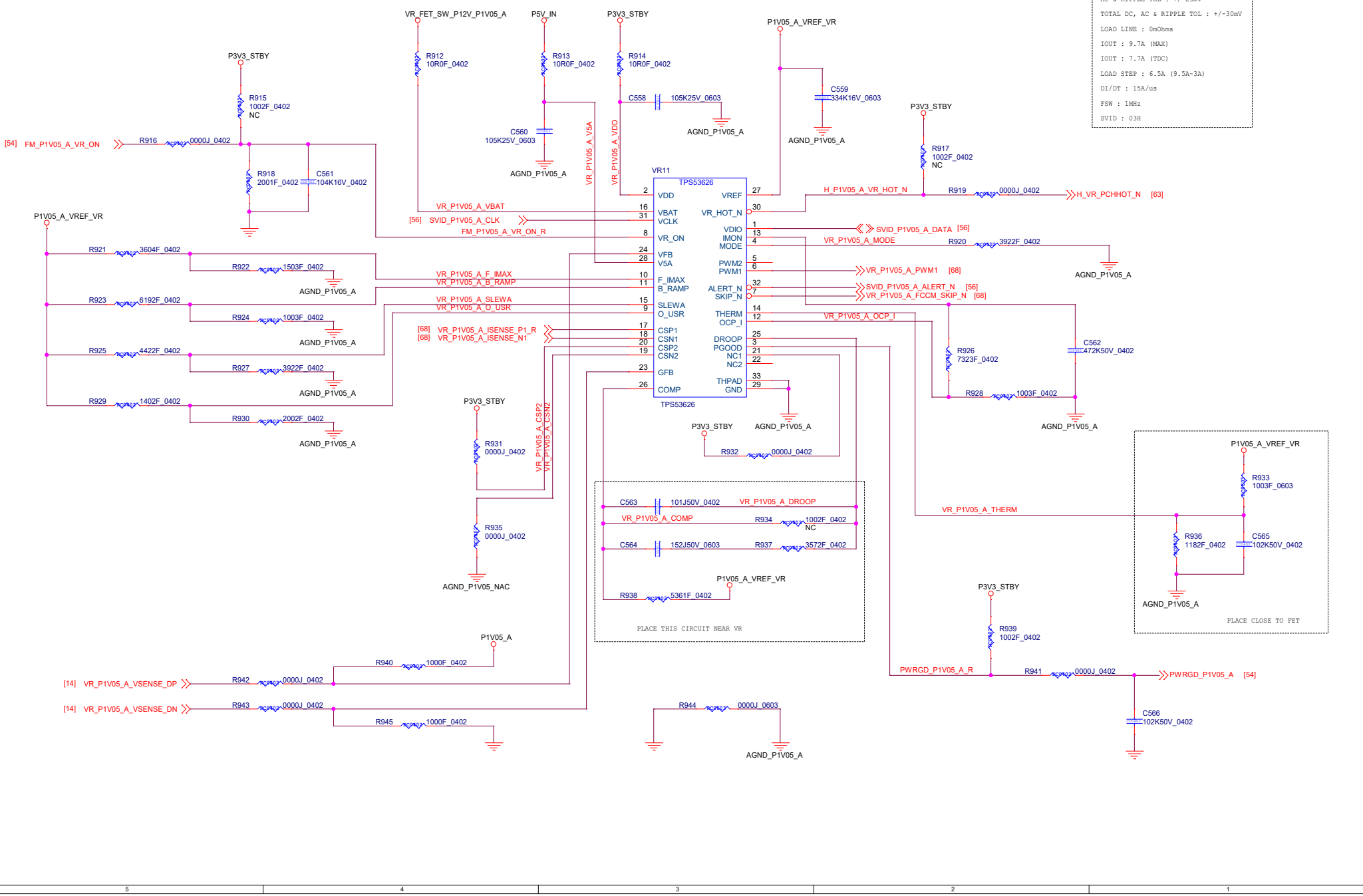
P1V05_NAC_VR (2 OF 2)



P1V05_A_VR (1 OF 2)

VR SPECS :

- VOUT = 1.05V
- VBOOT = 1.05V
- AC & RIPPLE TOL : +/-25mV
- TOTAL DC, AC & RIPPLE TOL : +/-30mV
- LOAD LINE : 0mOhms
- IOUT : 9.7A (MAX)
- IOUT : 7.7A (TDC)
- LOAD STEP : 6.5A (9.5A-3A)
- DI/DT : 15A/us
- FSW : 1MHz
- SVID : 03H



PLACE THIS CIRCUIT NEAR VR

PLACE CLOSE TO FET

P1V05_A_VR (2 OF 2)

