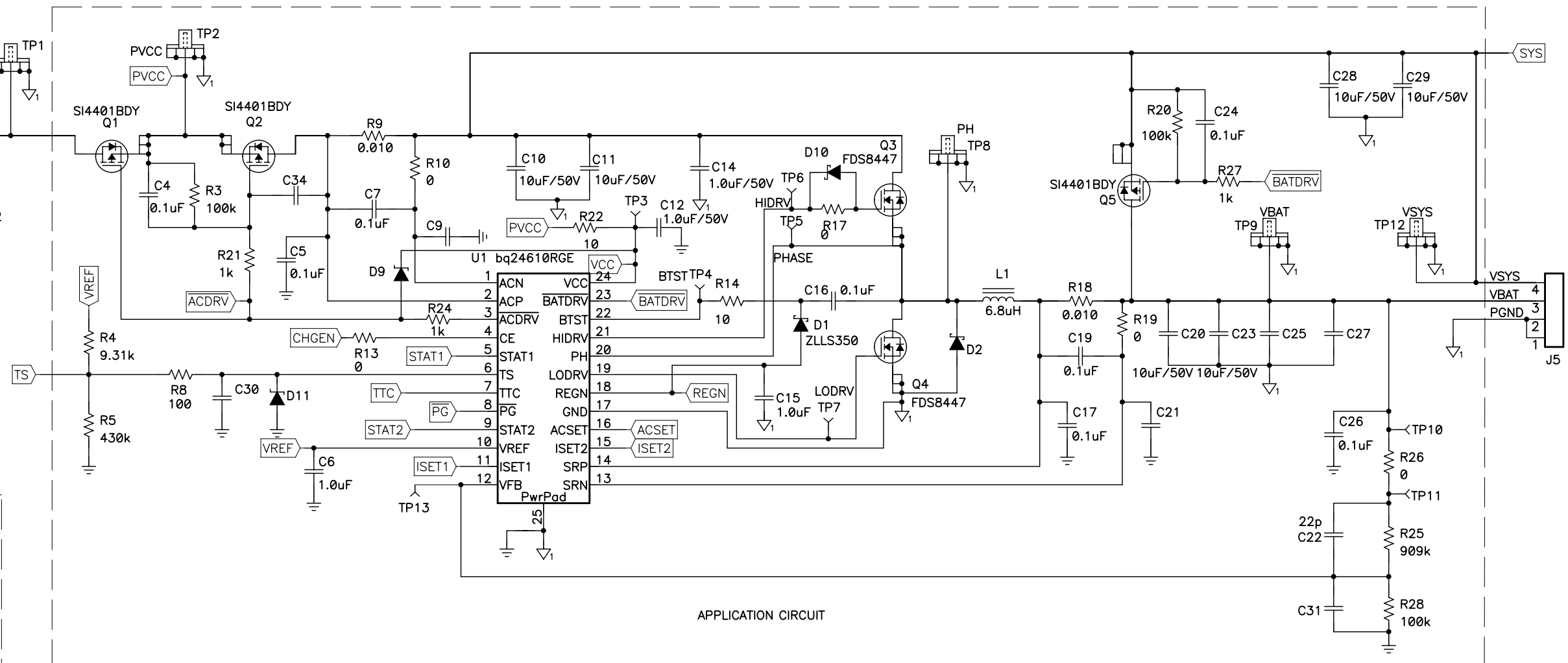


- 1 Parts with no value are not used
- 2 Replace R25/R28 with 0.1% resistor for high accuracy voltage setting

EVM	IC	R4	R5	L1
HPA422-001	bq24610	9.31k	430k	6.8uH
HPA422-002	bq24617	2.2k	6.8k	8.2uH
HPA422-003	bq24630	2.2k	6.8k	6.8uH
HPA422-004	bq24616	2.2k	6.8k	6.8uH



APPLICATION CIRCUIT

