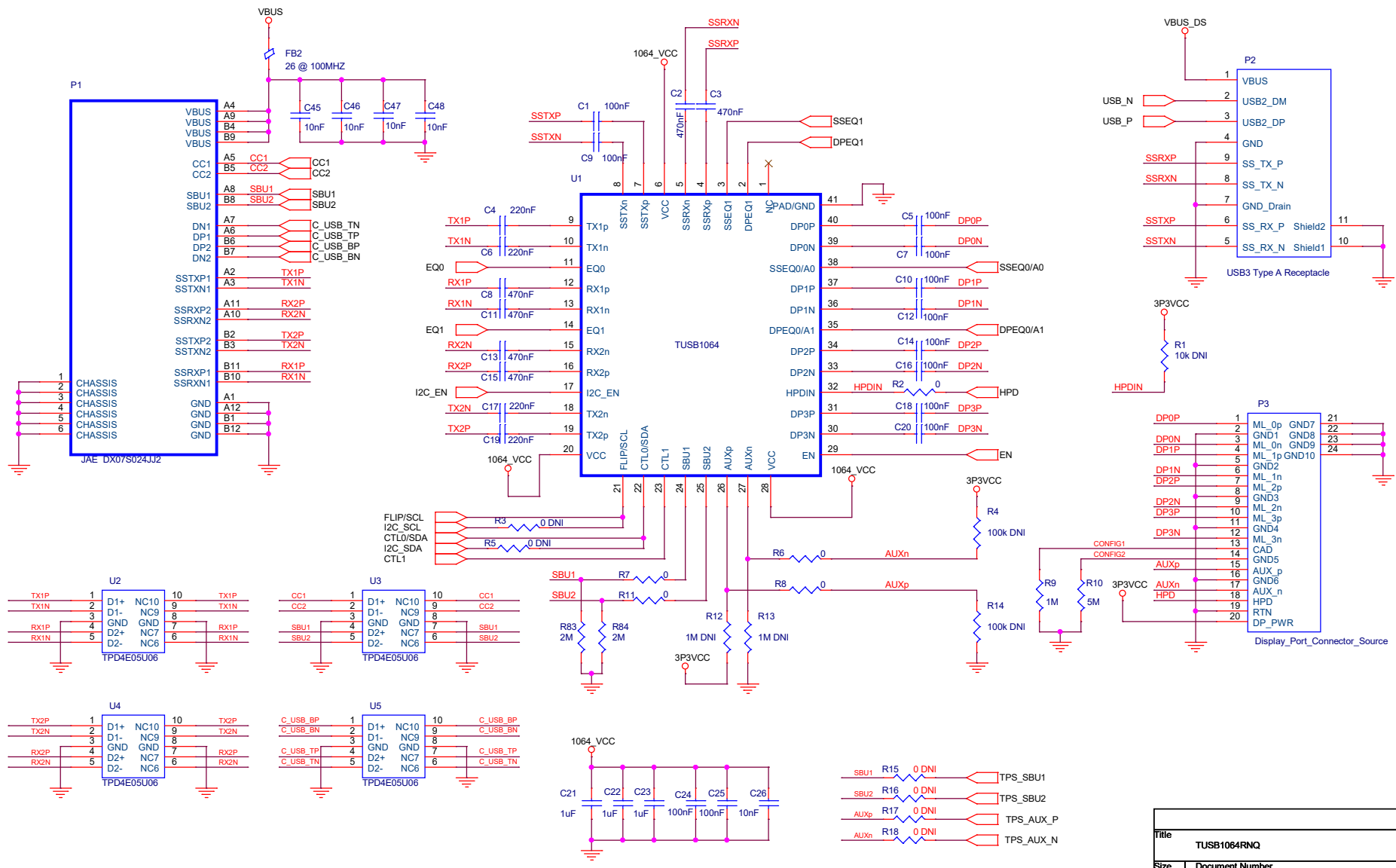
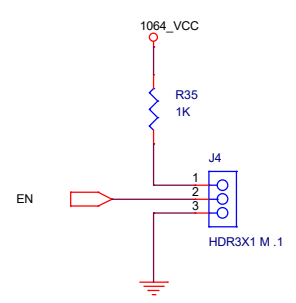
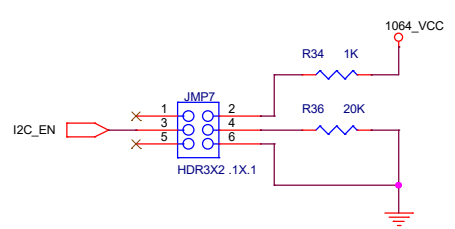
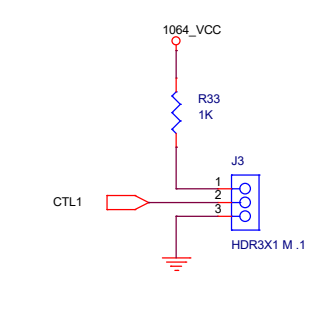
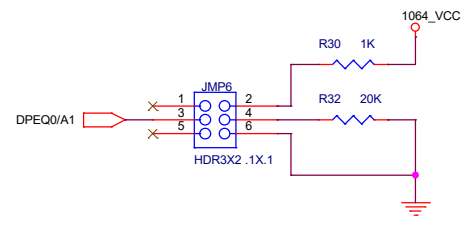
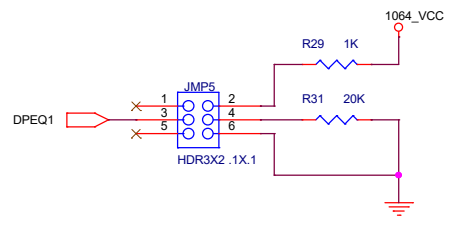
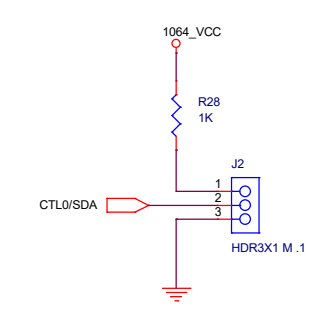
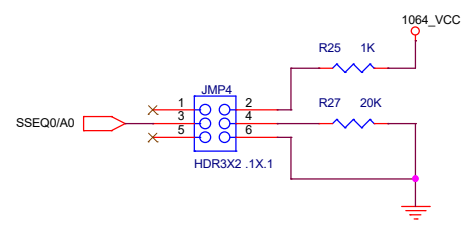
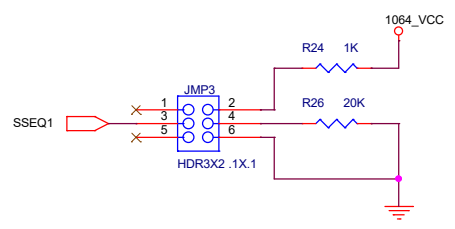
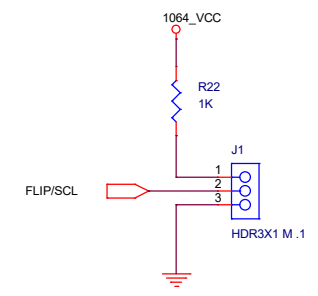
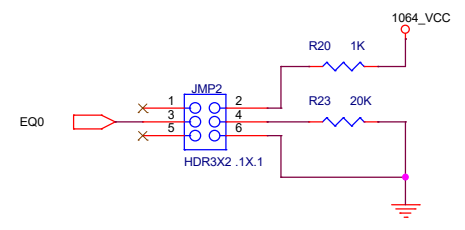
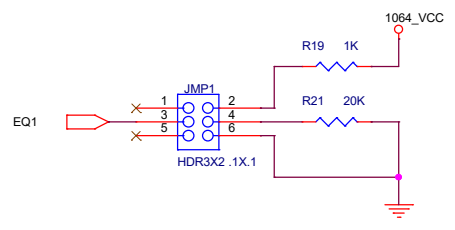


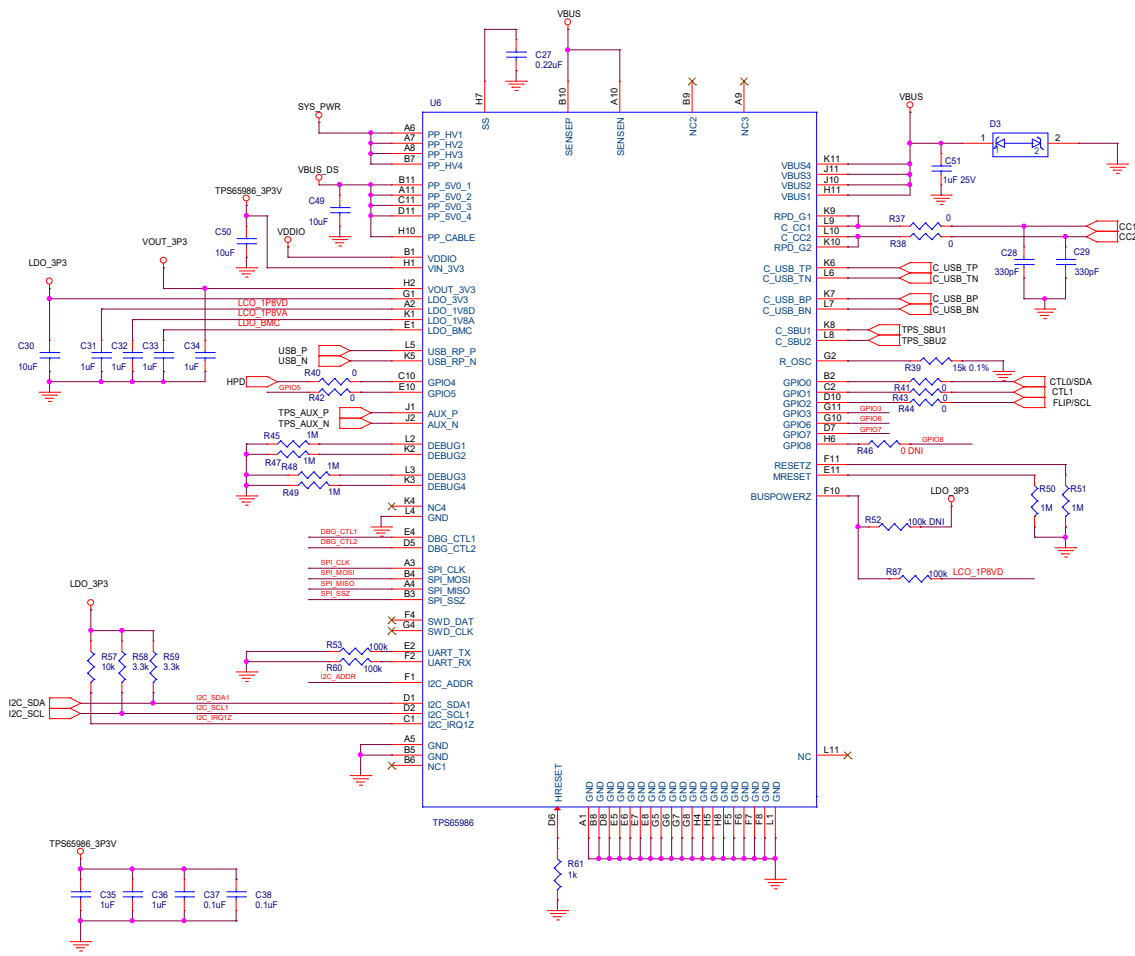
Title		
TUSB1064RNQEVN Block		
Size	Document Number	Rev
A	HSDC025A-002	A
Date:	Tuesday, February 06, 2018	Sheet 1 of 6



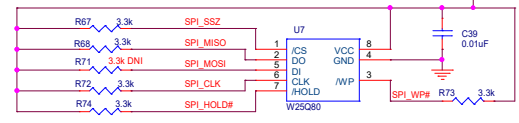
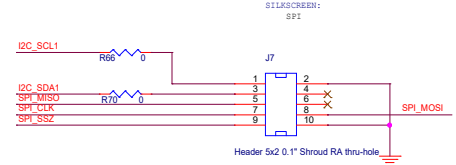
Title		
TUSB1064RNGQ		
Size	Document Number	Rev
B	HSDC025A-002	A
Date:	Tuesday, February 06, 2018	Sheet 2 of 6



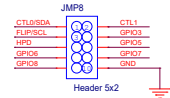
Title		
TUSB1064 Config Pins		
Size	Document Number	Rev
B	HSDC025A-002	A
Date:	Monday, February 19, 2018	Sheet 3 of 6



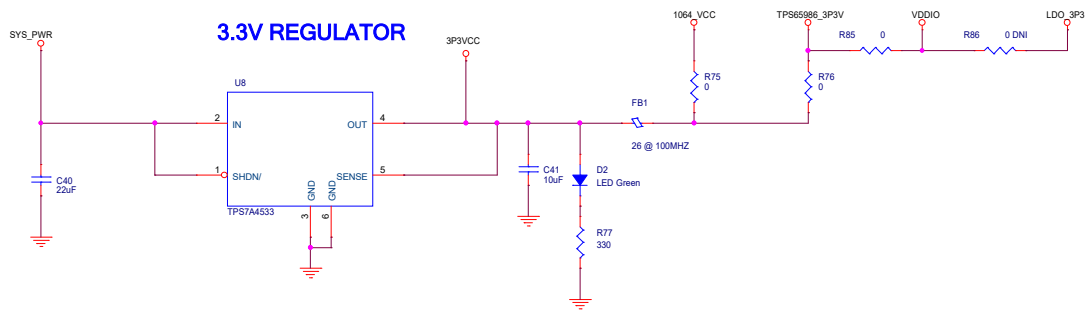
SPI Programming Header



TPS65982

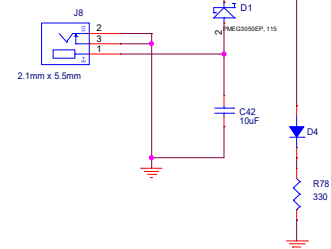


Title			TPS65986		
Size	Document Number		Rev		
C	HSDC025A-002		A		
Date:	Tuesday, February 06, 2018	Sheet	4	of	6

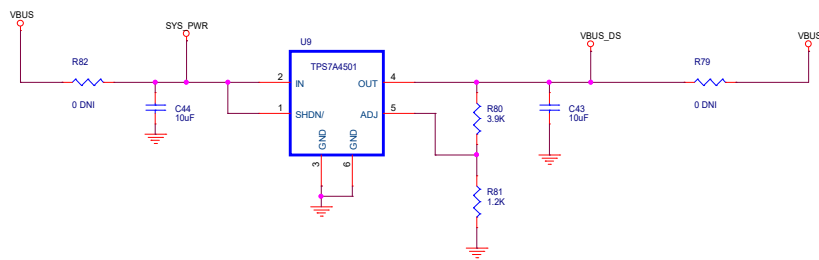


5V INPUT

+5V / Max 3A Input



DOWNSTREAM PORT/PP_5V POWER SWITCH



Title			Power		
Size	Document Number		Rev		
C	HSDC025A-002		A		
Date:	Tuesday, February 06, 2018	Sheet	5	of 6	

LB2



LB2: TUSB1064RNQEVMM

PCB1



HSDC025

PCB LOGO
Texas Instruments

PCB LOGO
ESD1

PCB LOGO
FCC Disclaimer

PCB LOGO
CE and WEEE LOGO

Assembly Note:
Remove pins 1 and 5 from JMP1 - JMP7.

Mounting Hole Mounting Hole Mounting Hole Mounting Hole



SCRW1



SCRW2



SCRW3



SCRW4



STDOFF1



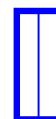
STDOFF2



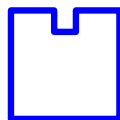
STDOFF3



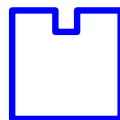
STDOFF4



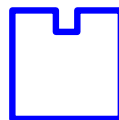
SHNT1



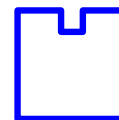
SHNT2



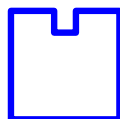
SHNT3



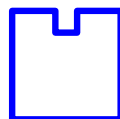
SHNT4



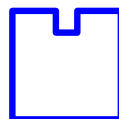
SHNT5



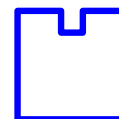
SHNT6



SHNT7



SHNT8



Title

Hardware

Size
A

Document Number
HSDC025A-002

Rev
B

Date: Thursday, March 01, 2018

Sheet 6 of 6