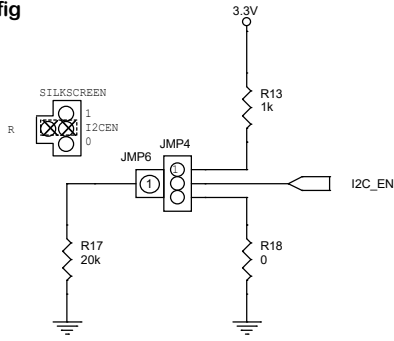
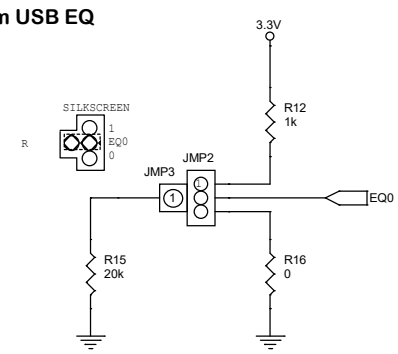
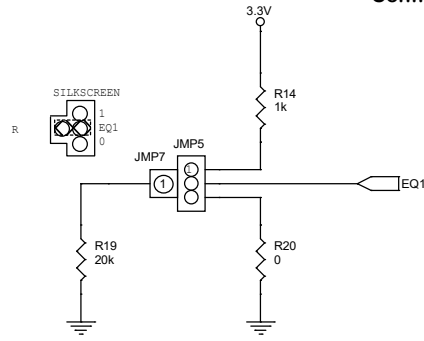


Title		TUSB1146EVM	
Size	Document Number	HSDC069A-001	
B		Rev	A
Date:	Tuesday, December 17, 2019	Sheet	1 of 5

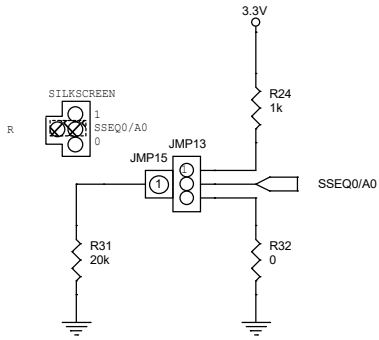
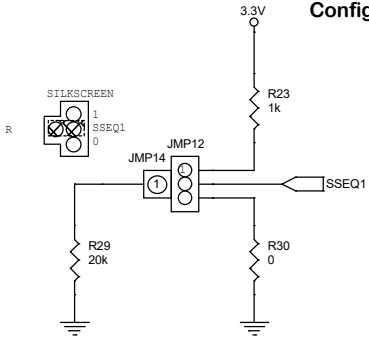
I2C_EN Header Config



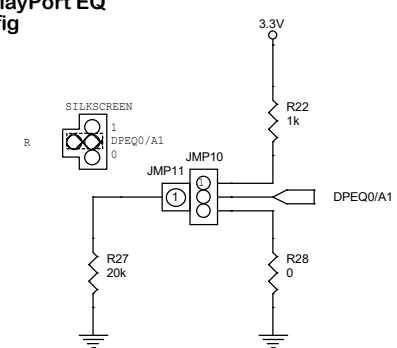
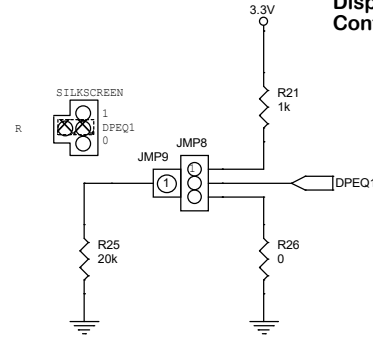
Downstream USB EQ Config



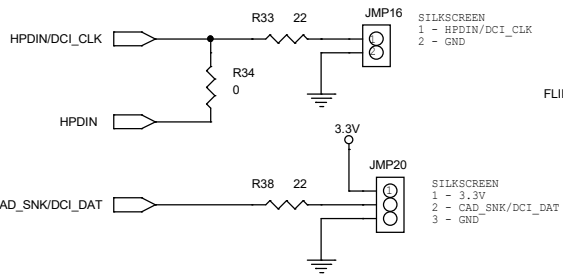
Upstream USB EQ Config



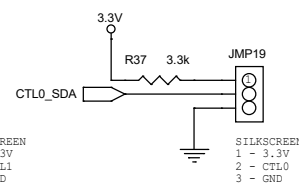
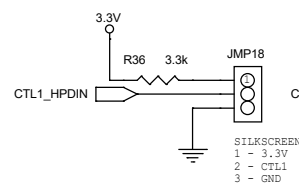
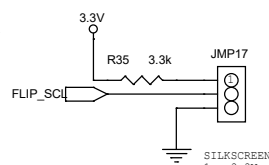
DisplayPort EQ Config



DCI Interface

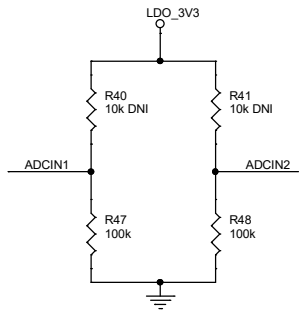


GPIO CONFIG Control



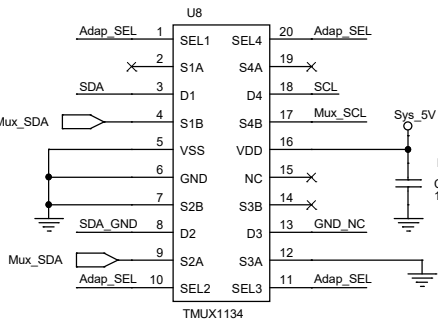
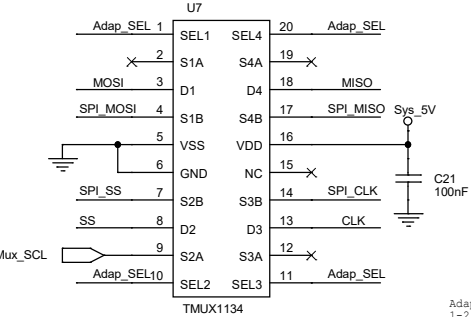
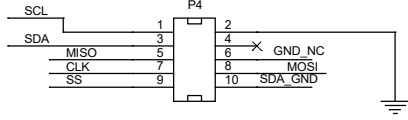
CTL1	CTL0	FLIP	Mux Operation
LOW	LOW	LOW	POWER DOWN
LOW	LOW	HIGH	POWER DOWN
LOW	HIGH	LOW	One Port USB3.1 No FLIP
LOW	HIGH	HIGH	One Port USB3.1 With FLIP
HIGH	LOW	LOW	4 Lane DP No FLIP
HIGH	LOW	HIGH	4 Lane DP With FLIP
HIGH	HIGH	LOW	1 Port USB3.1 + 2 Lane DP No FLIP
HIGH	HIGH	HIGH	1 Port USB3.1 + 2 Lane DP With FLIP

Title			TUSB1146EVM
Size	Document Number	Rev	
B	HSDC069A-001	A	
Date:	Friday, November 08, 2019	Sheet	2 of 5

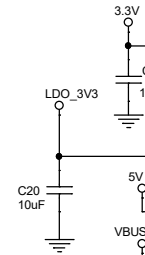
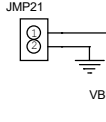


SILKSCREEN:
AARDVARK SPI / I2C
TI USB Interface Adapter

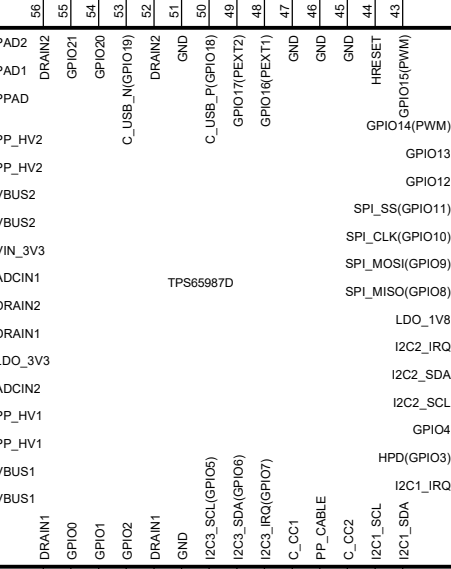
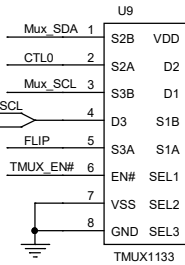
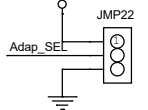
Note: Place on the edge with 500-mil clearance from pin 9 and 10.



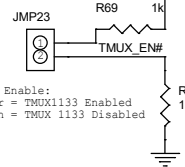
SILKSCREEN
1 - PP_HV2
2 - GND



Adapter Select
1-2 = TI USB Interface adapter
2-3 = Aardvark SPI/I2C Adapter



TMUX1133 Enable:
No Jumper = TMUX1133 Enabled
Jumper On = TMUX 1133 Disabled

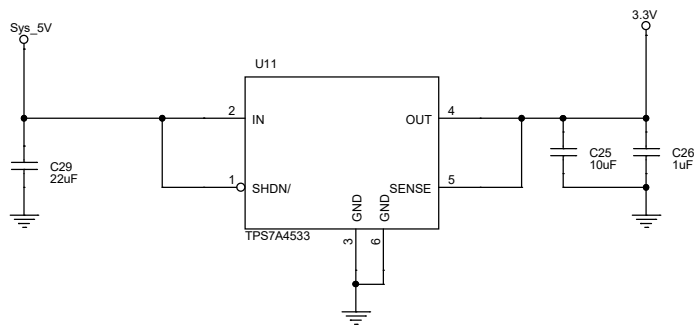


Mux Control I2C / GPIO Select
1-2 = I2C Interface
2-3 = GPIO Mode

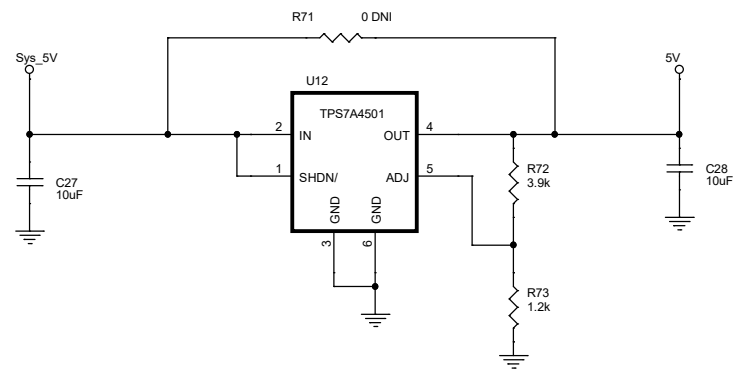


Title		
TUSB1146EVM		
Size	Document Number	Rev
B	HSDC069A-001	A
Date:	Tuesday, March 03, 2020	Sheet 3 of 5

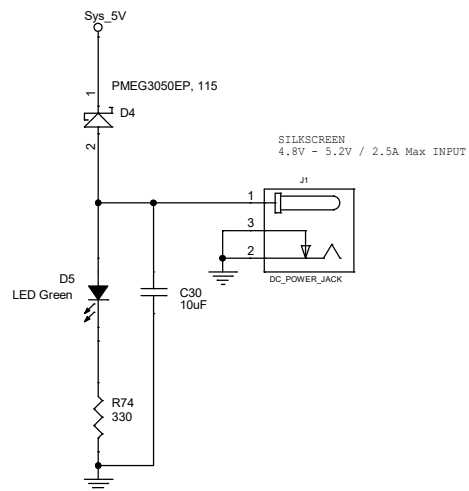
3.3V REGULATOR



5V REGULATOR




External 5V IN




Title		
TUSB1146EVM		
Size	Document Number	Rev
B	HSDC069A-001	A
Date:	Tuesday, December 17, 2019	Sheet 4 of 5

Install label in silkscreened box after final wash. Text shall 8 pt font. Text shall be per the label table in the PDF Schematic

Variant / Label Table	
Variant	Label Text
001	TUSB1146EVM

LB1


PCB1

 HSDC069

PCB LOGO
 Texas Instruments

PCB LOGO
 ESD1

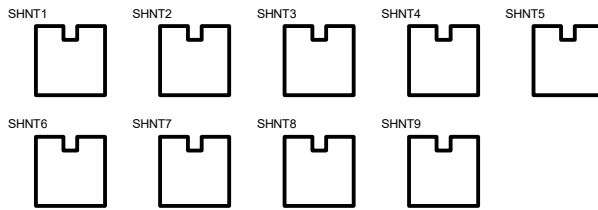
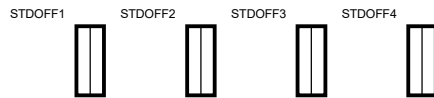
PCB LOGO
 FCC Disclaimer

PCB LOGO
 CE LOGO

PCB LOGO
 WEEE LOGO



Mounting Hole Mounting Hole Mounting Hole Mounting Hole



Title		
TUSB1146EVM		
Size	Document Number	Rev
B	HSDC069A-001	A
Date:	Friday, November 08, 2019	Sheet 5 of 5