

**Notes:**  
Never let Charger's CV Voltage close to 60V.

**StarLight Dynamic**

Sheet: /  
File: Hardware\_Chimera\_BMScore.kicad\_sch

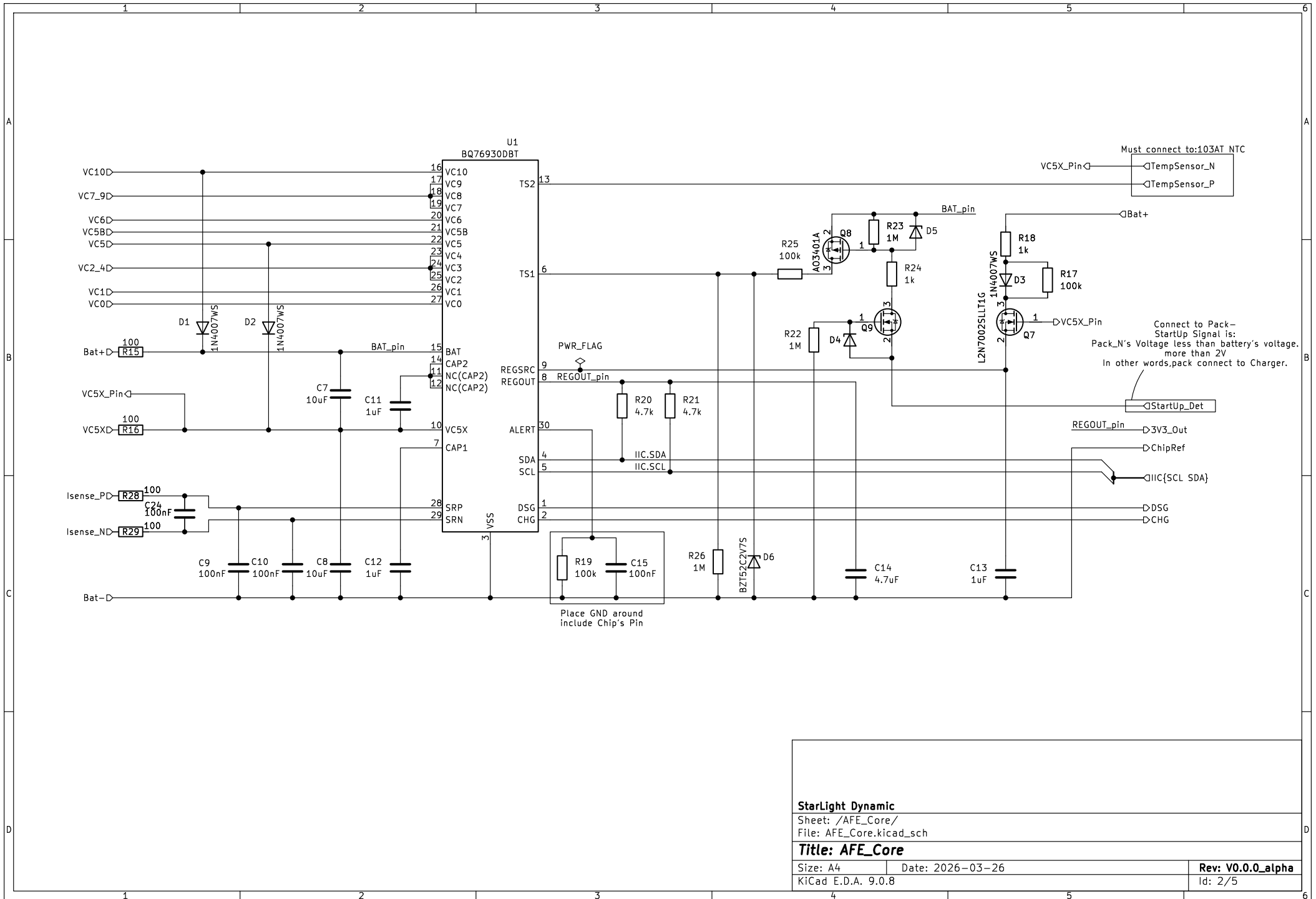
**Title: Main**

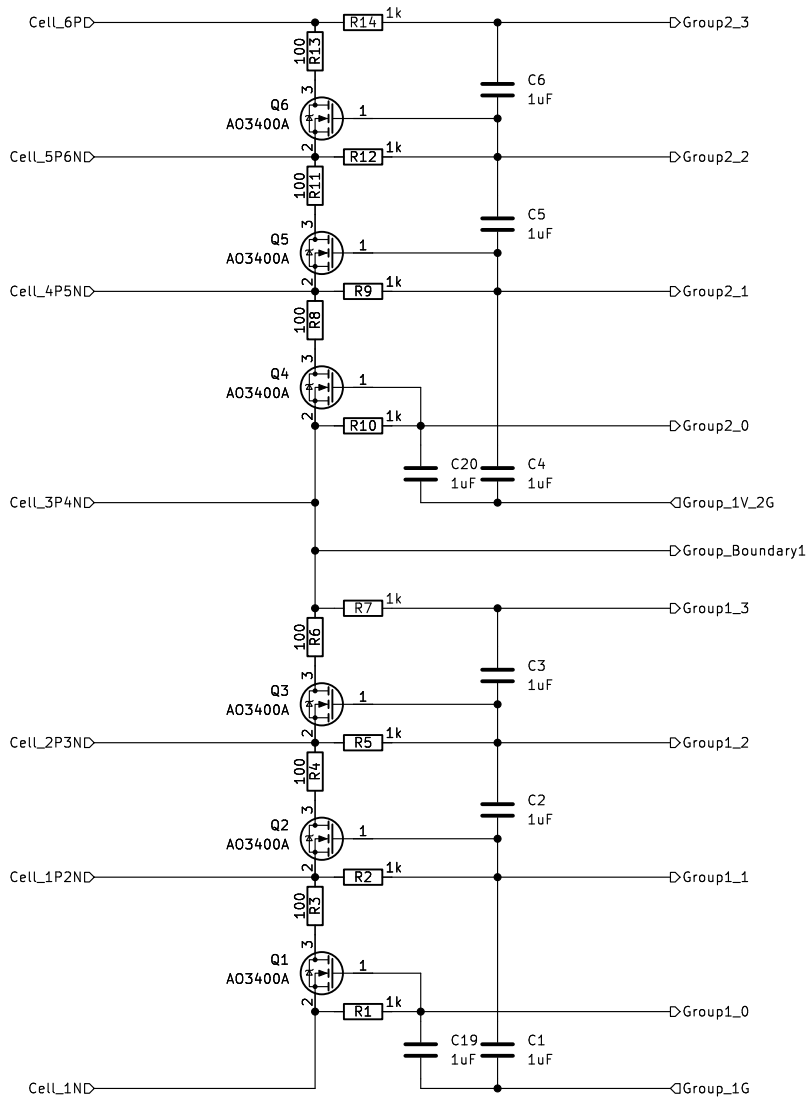
Size: A4 Date: 2026-03-26

KiCad E.D.A. 9.0.8

**Rev: V0.0.0\_alpha**

Id: 1/5





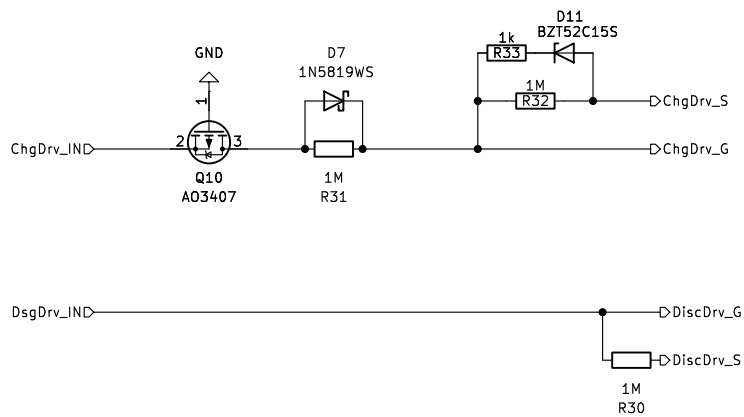
**StarLight Dynamic**

Sheet: /Balance/  
File: Balance.kicad\_sch

**Title: Balance**

Size: A4 Date: 2026-03-26  
KiCad E.D.A. 9.0.8

Rev: V0.0.0\_alpha  
Id: 3/5



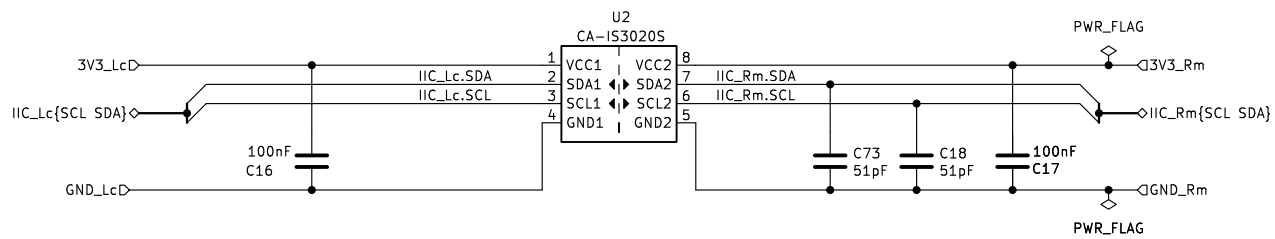
**StarLight Dynamic**

Sheet: /FET\_DrvHandler/  
File: FET\_DrvHandler.kicad\_sch

**Title: FET\_DrvHandler**

Size: A Date: 2026-03-26

Rev: V0.0.0\_alpha  
Id: 4/5



**StarLight Dynamic**

Sheet: /IIC\_Isolator/  
File: IIC\_Isolator.kicad\_sch

**Title: IIC\_Isolator**

Size: A Date: 2026-03-26  
KiCad E.D.A. 9.0.8

Rev: V0.0.0\_alpha  
Id: 5/5