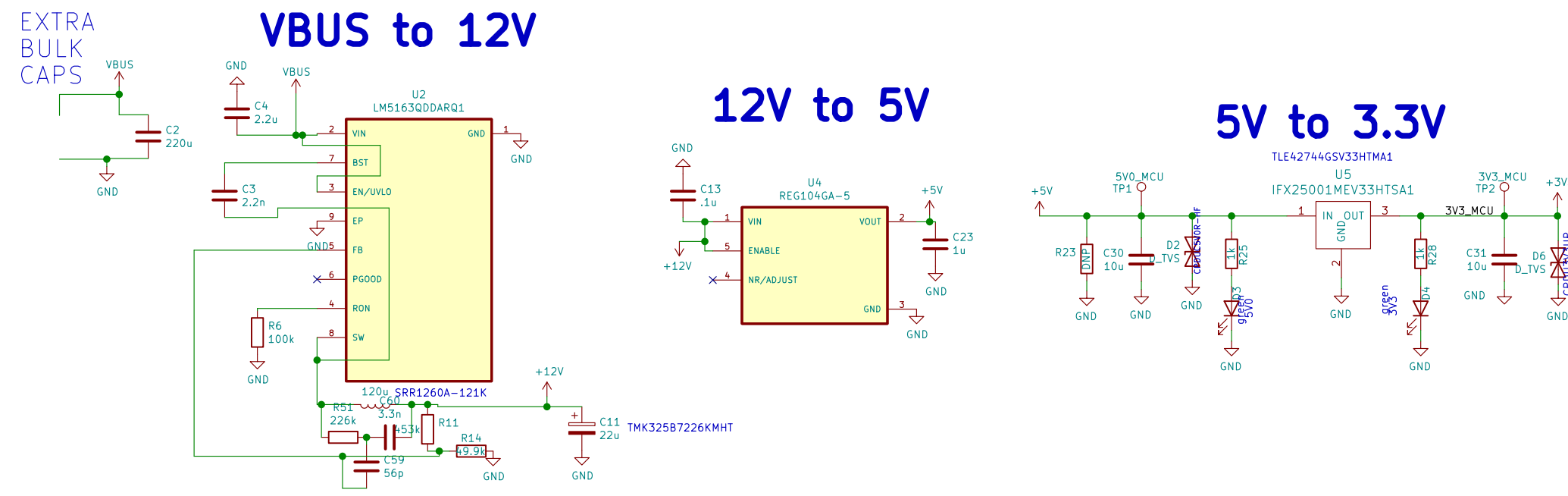
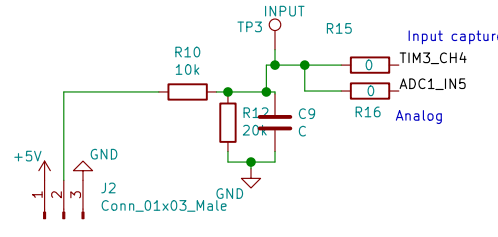


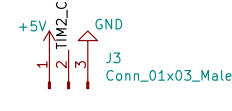
POWER INPUT AND STEP-DOWN



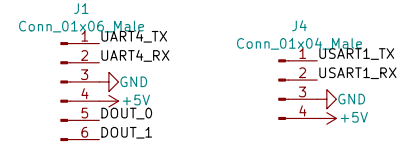
PWM INPUT



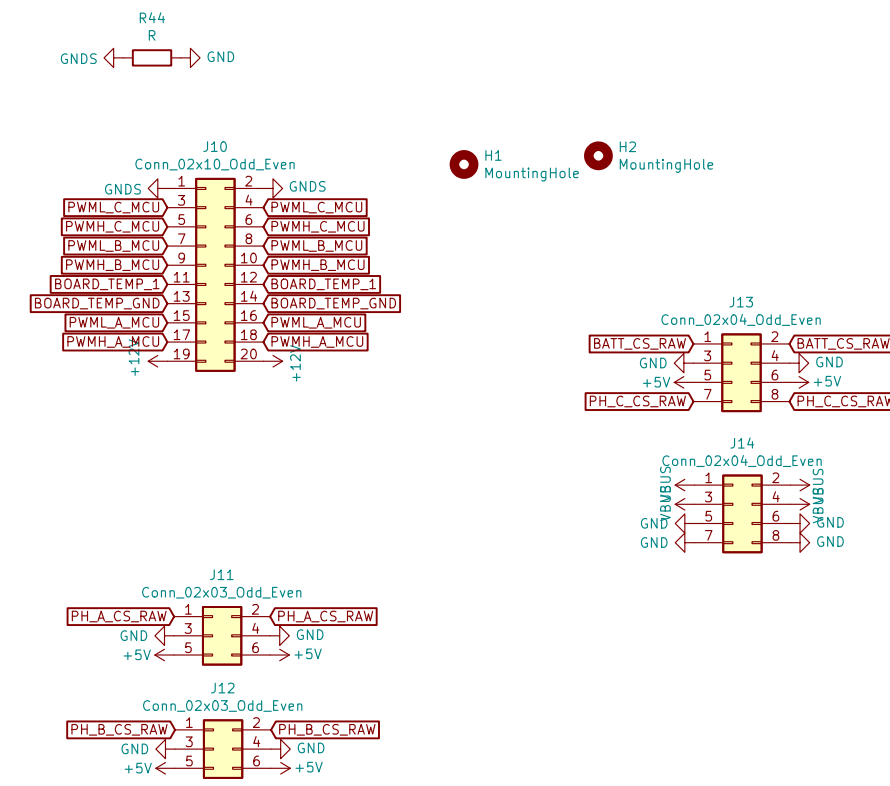
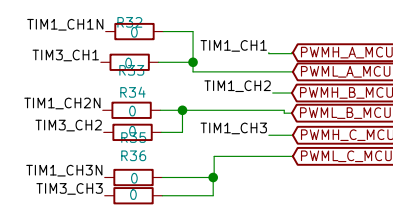
SERVO OUTPUT



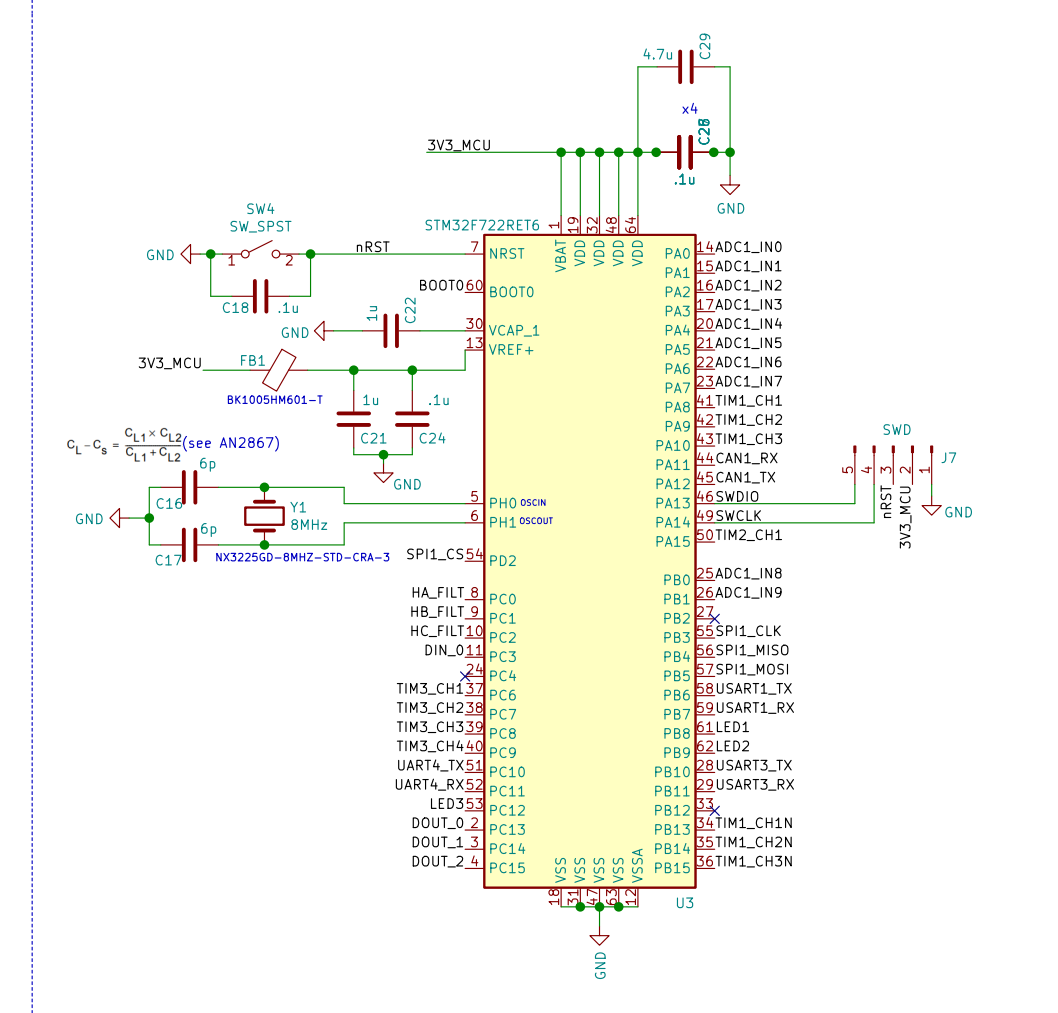
UART OUTPUT



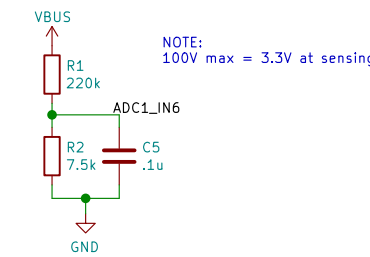
MOSFET PWM SELECTION



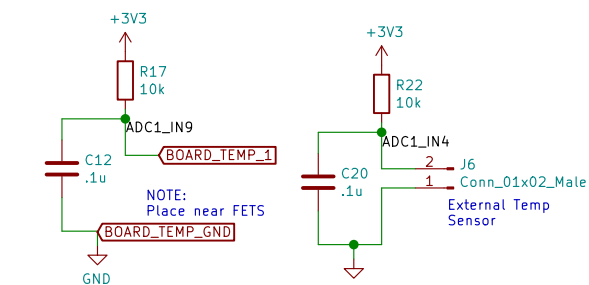
MCU_STM32F722RET6



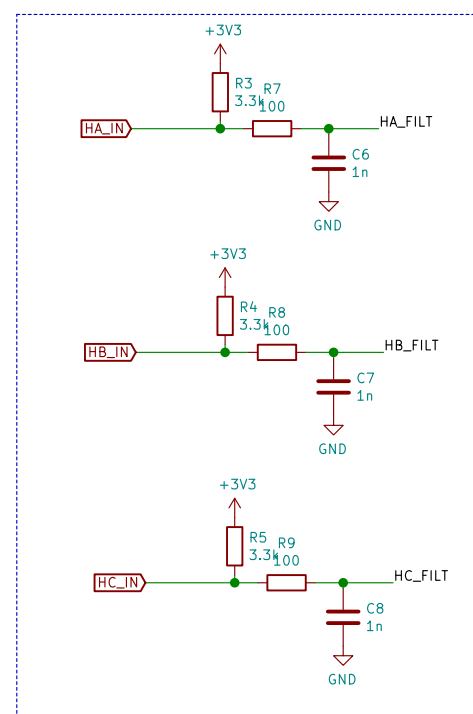
VOLTAGE SENSING



TEMP SENSORS

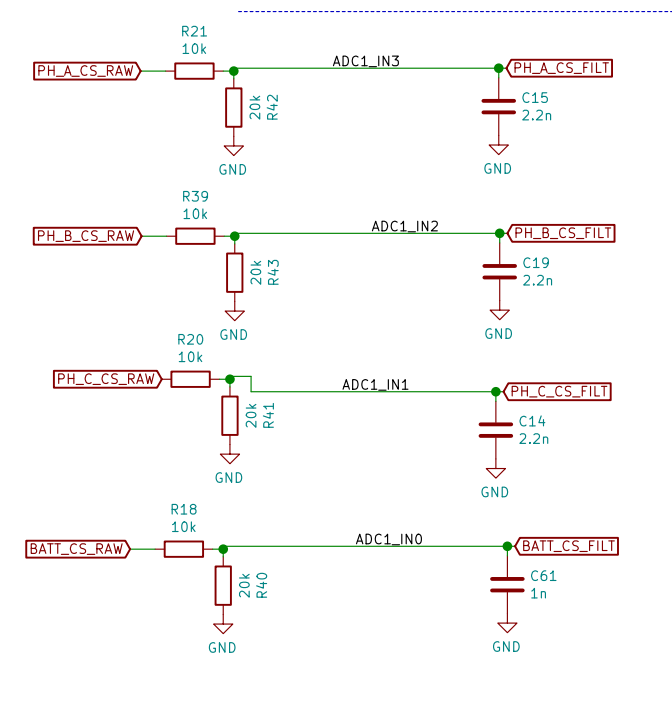


HALL SENSOR INPUT

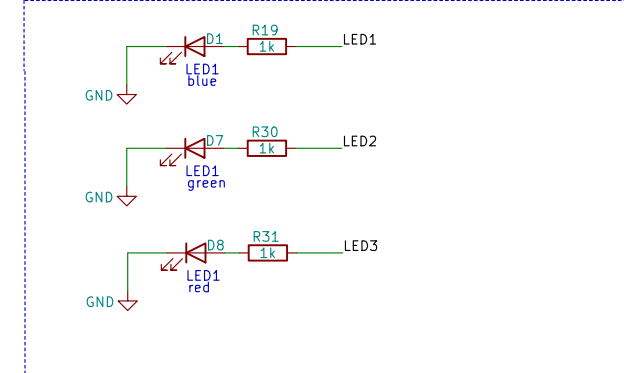


GOOD

CURRENT SENSOR FILTERING

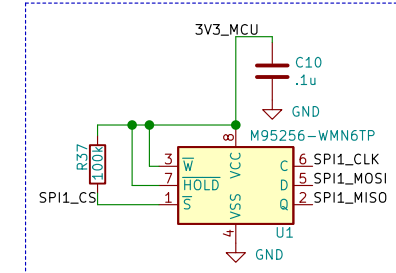


LEDs on board



GOOD

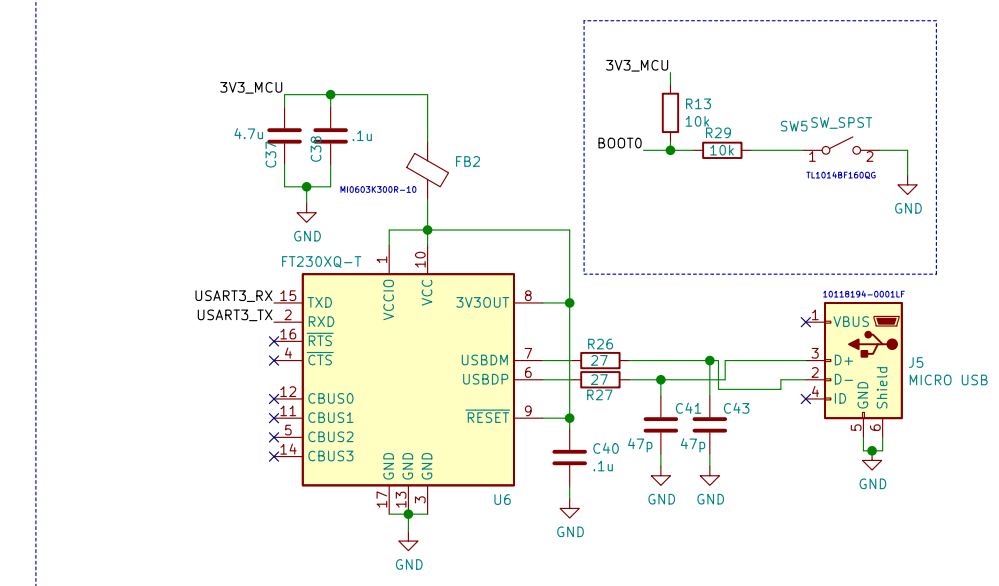
EEPROM



GOOD

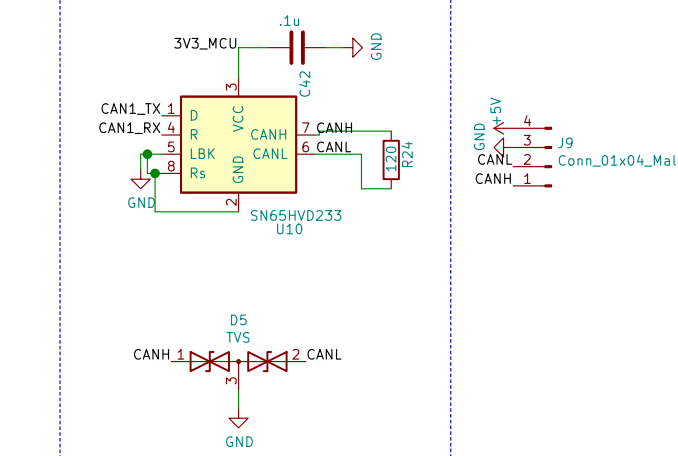
SPI CONN

USB/BOOT



GOOD

CAN DRIVER



GOOD