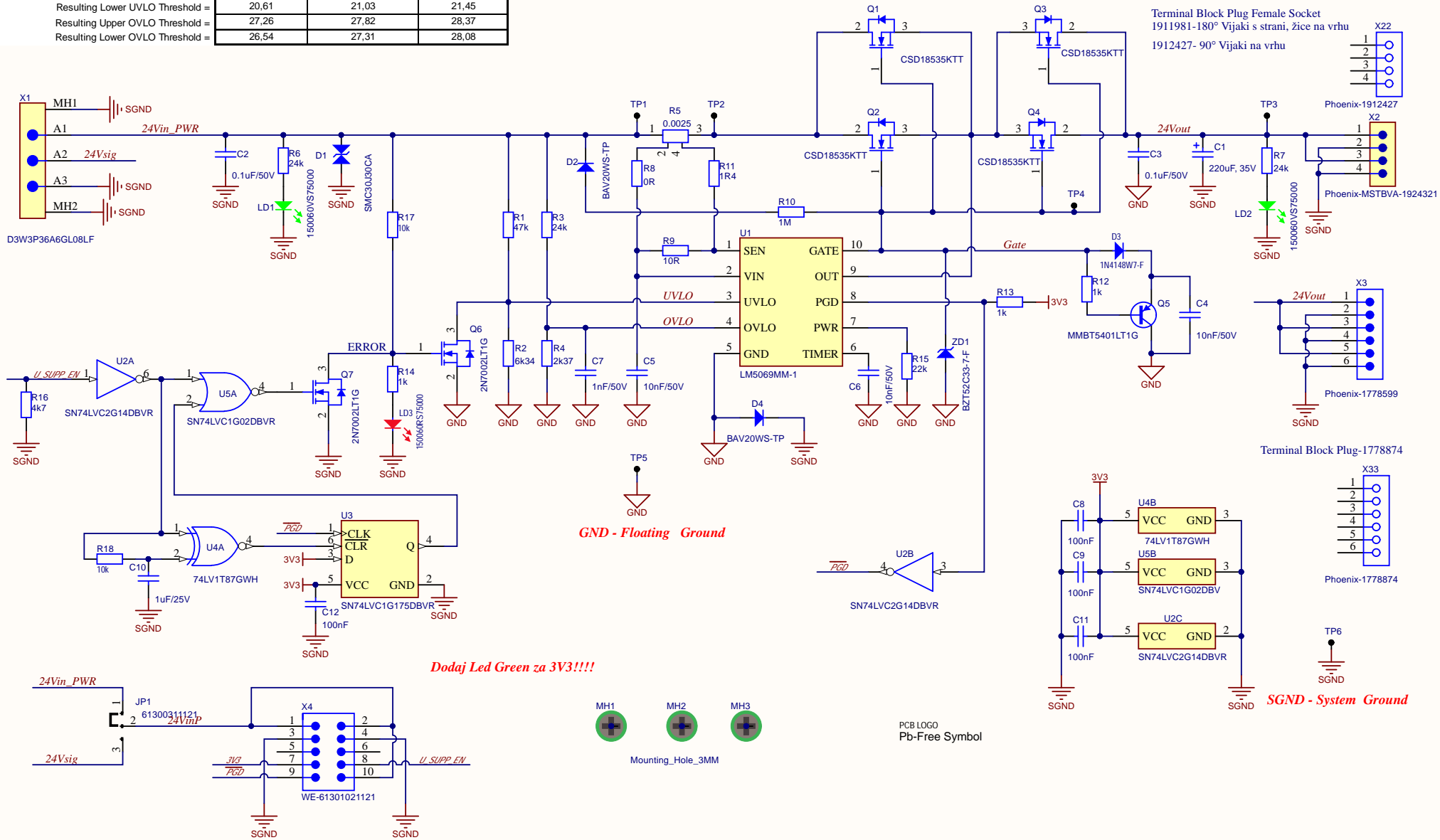


Input Voltage range 22V - 28V maximum
 Min. Current Limit 22.1A Typical 25.1A Max. 28A

Resulting Thresholds:	Minimum	Typical	Maximum
Resulting Upper UVLO Threshold =	21,18	22,02	22,86
Resulting Lower UVLO Threshold =	20,61	21,03	21,45
Resulting Upper OVLO Threshold =	27,26	27,82	28,37
Resulting Lower OVLO Threshold =	26,54	27,31	28,08



GND - Floating Ground

Dodaj Led Green za 3V3!!!!

Terminal Block Plug-1778874

SGND - System Ground



PCB LOGO
Pb-Free Symbol