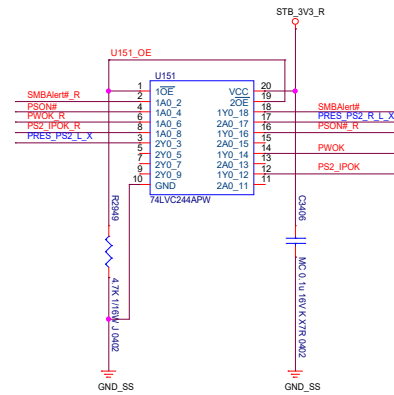
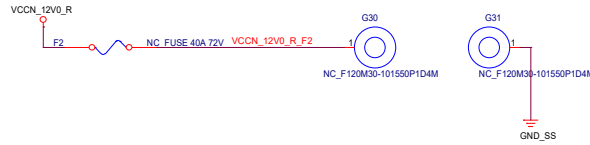
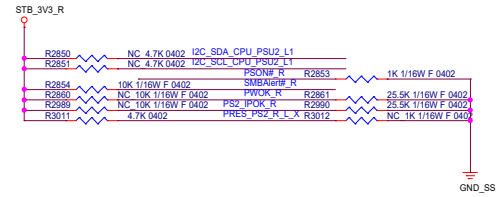
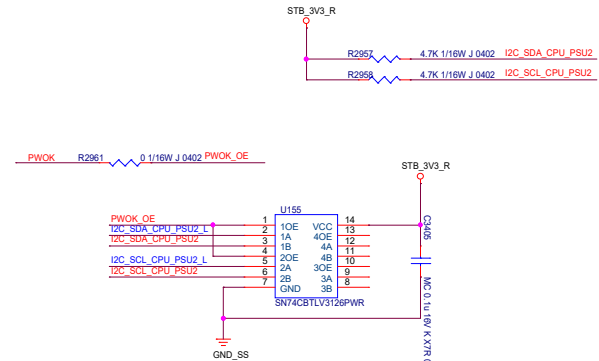
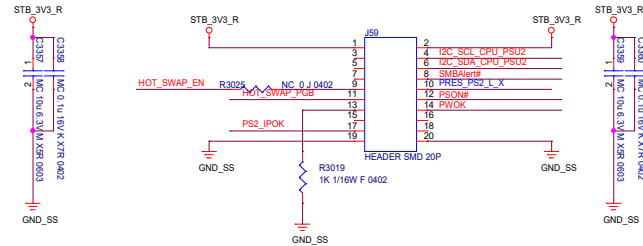
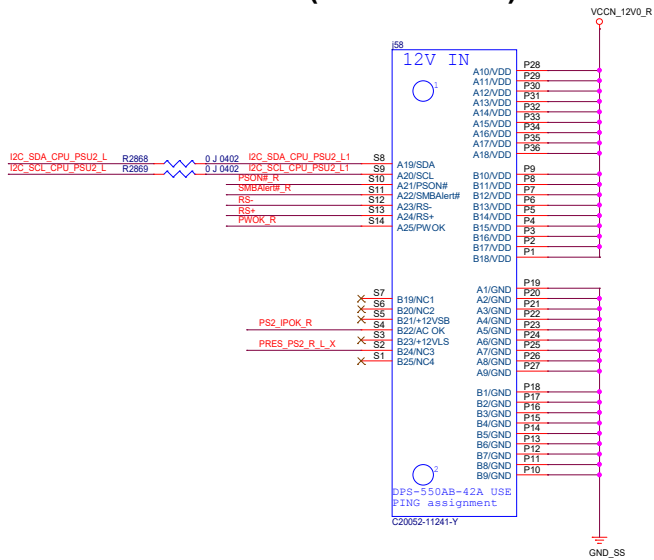


# N1648 PSU Board

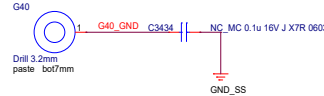
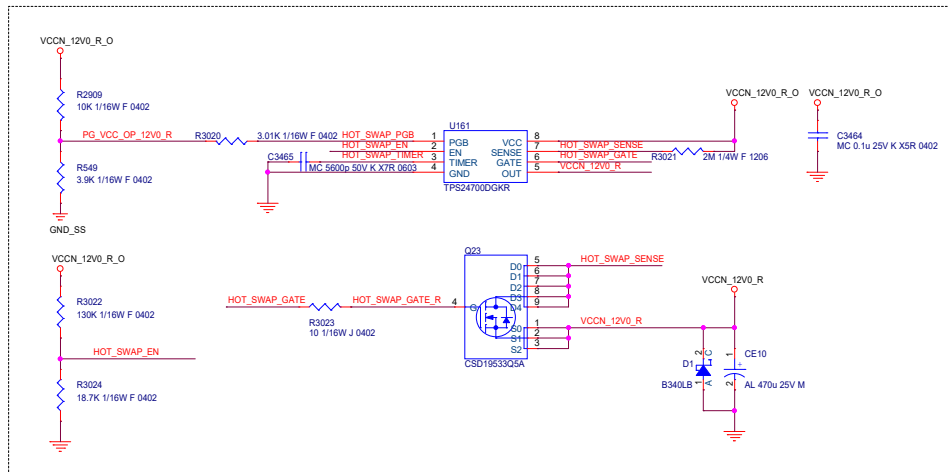
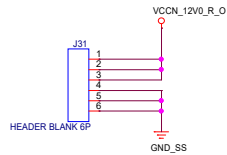
## 12V Bus bar to Main Board



## PSU #2 (DPS-240 AC)



## PSU #1 (DPS-100AP)



### DELTA NETWORKS, INC.

Confidentiality Statement: The pages herein, together and individually are the sole property and product of Delta Networks, Inc. and may not be distributed, reproduced, copied, shared, or incorporated into other work in any form without explicit written permission.

Title		54_N1648_PSU Board [v1n.12V]	
Size	Document Number	1ADSC-XXXXXX	
C			
Date:	Wednesday, March 13, 2019	Sheet	54 of 60
Rev	1.3		