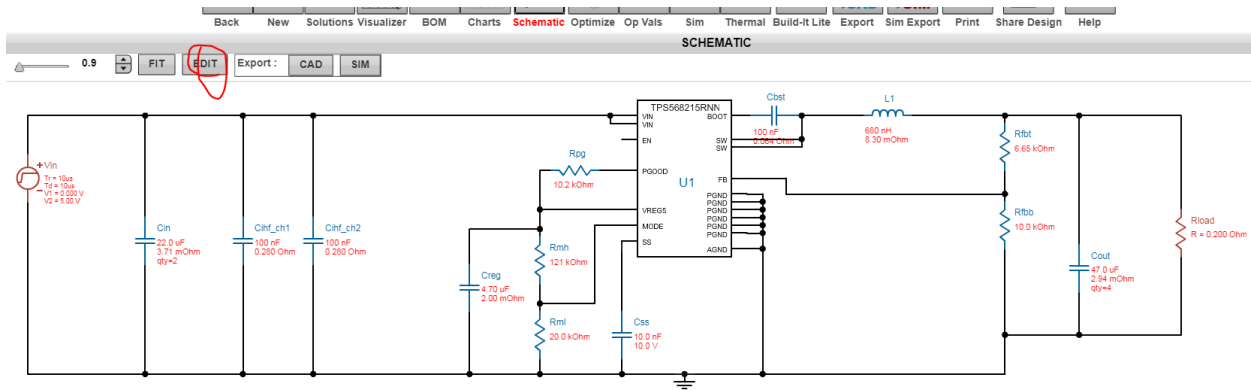


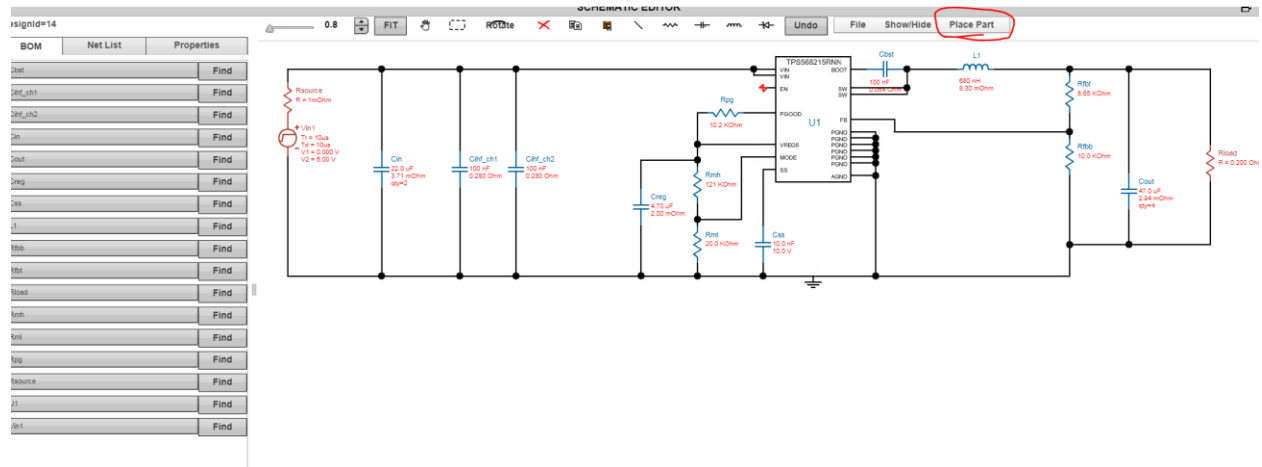
# How to add component on Webench

1, when you open the design circuit, clicks “edit”.

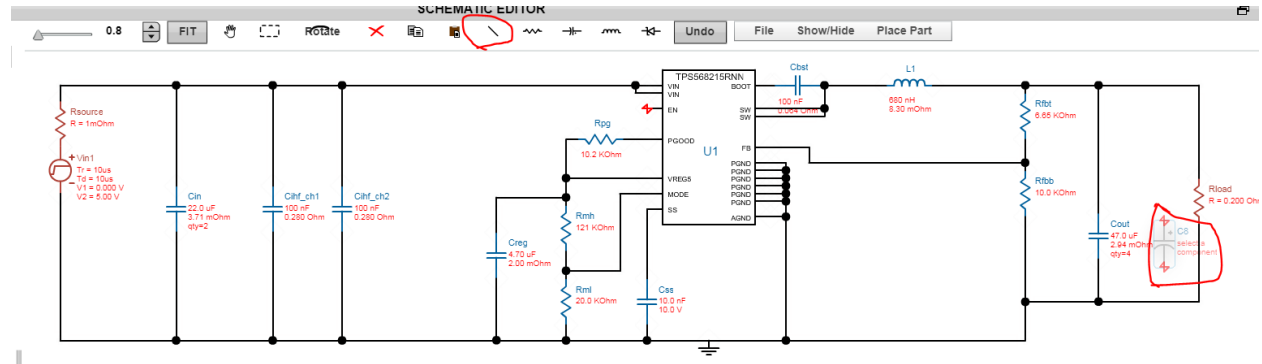


2, click “edit this design”

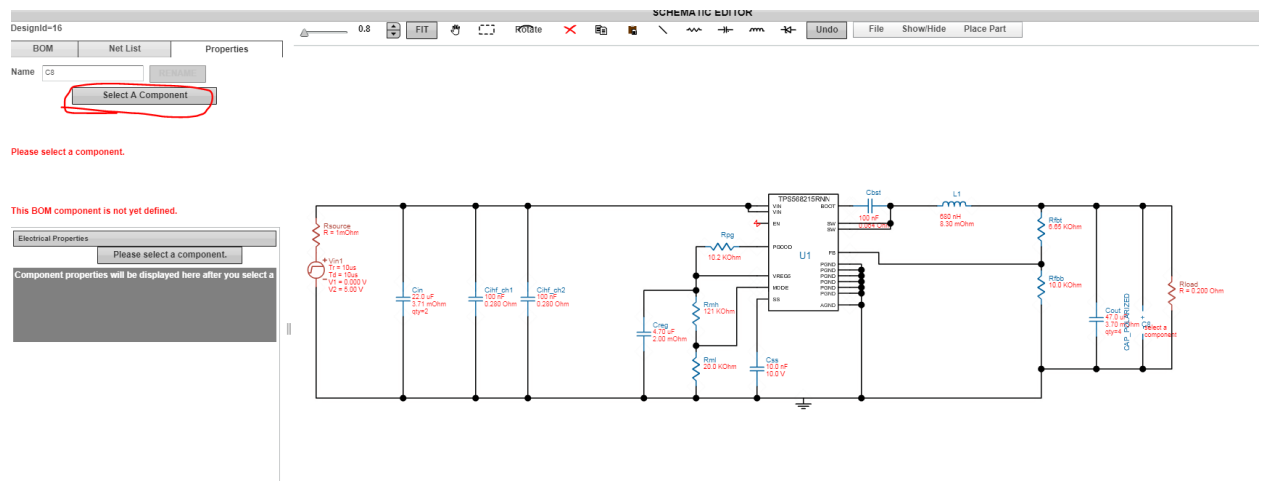
3, choose "place part". You can place cap, resistor, diode, switch and so on.



4, choose the connect line button to connect the component.



5, choose the component added, then click "select a component"



6, you can search the value you want. Then click “search” and find what you want and click “select”.

**ALTERNATE PARTS**

Summary information for selected Component C8:

Manuf	Part Number	Cap (F)	ESR (Ohm)	VDC (V)	Price	Qty	Qty Avail	Foot Print	Height	Power Diss	Total Cap (F)	Total ESR (Ohm)	Total IRMS (A)	Total Price	Total Foot P
Enter Your Search Limits											Capacitance (F)	ESR (Ohm)	VDC (V)		
	Upperbound										600u	2m	35	Search	
	Lowerbound										600u	2m	16	Select	Restore Limits
	Target										600u	2m	16		

Manuf	Part Number	Cap (F)	ESR (Ohm)	VDC (V)	Price	Qty	Qty Avail	Foot Print	Height	Power Diss	Total Cap (F)	Total ESR (Ohm)	Total IRMS (A)	Total Price
CUSTOM	CUSTOM	600u	2m	16	NA	1	0	0	0	0	600u	2m	1	NA

7, you will find the component has been added in the BOM. Then click “sim”

**BILL OF MATERIALS**

Part	Manufacturer	Part Number	Quantity	Price	Attributes	Footprint	Top View	Edit
C8st	Kemet	C885C104K5RACU	1	\$0.01	Cap=100nF, ESR=0.064Ohm	7		Select Alternate Part
C8t_ch1	AVX	0805C104KAT2A	1	\$0.01	Cap=100nF, ESR=0.280Ohm	7		Select Alternate Part
C8t_ch2	AVX	0805C104KAT2A	1	\$0.01	Cap=100nF, ESR=0.280Ohm	7		Select Alternate Part
Cin	TDK	C1608X5R1A220M080AC	2	\$0.12	Cap=22uF, ESR=3.71mOhm	5		Select Alternate Part
Coat	MuRata	GRM31CR81A476KE15L	4	\$0.16	Cap=47uF, ESR=3.70mOhm	11		Select Alternate Part
Creg	MuRata	GRM21DR81E473MA1ZL	1	\$0.03	Cap=4.7uF, ESR=2mOhm	7		Select Alternate Part
Cvx	MuRata	GRM033R81A103KA01D	1	\$0.01	Cap=10nF, ESR=0Ohm	2		Select Alternate Part
L1	Coilcraft	XFL5015-681MEB	1	\$0.83	L=680uH, DCR=8.3mOhm, IDC=0.5A	57		Select Alternate Part
Rmh	Panasonic	ERJ6ENF1213V	1	\$0.01	Resistance=121kOhm, Tolerance=1%, Power=0.125W	7		Select Alternate Part
Rml	Panasonic	ERJ6ENF2002V	1	\$0.01	Resistance=20kOhm, Tolerance=1%, Power=0.125W	7		Select Alternate Part
Rpg	Vishay-Dale	CRCW040210K2FKED	1	\$0.01	Resistance=10.2kOhm, Tolerance=1%, Power=0.063W	3		Select Alternate Part
U1	Texas Instruments	TPS56821SRNDR	1	\$1.50		20		
Rbcb	Sesumu Co Ltd	RR1220P-103-D	1	\$0.01	Resistance=10kOhm, Tolerance=0.5%, Power=0.1W	7		Select Alternate Part
Rbt	Vishay-Dale	CRCW040208K5FKED	1	\$0.01	Resistance=8.5kOhm, Tolerance=1%, Power=0.063W	3		Select Alternate Part
C8	CUSTOM	CUSTOM	1	NA	Cap=600uF, ESR=2mOhm	NA		Select Alternate Part

8, you'll find the component value has been changed. Then you can run simulation.

Simulation Type : Startup Design : 16 Design : 16

0.6 FIT Show/Hide EDIT Export : CAD SIM