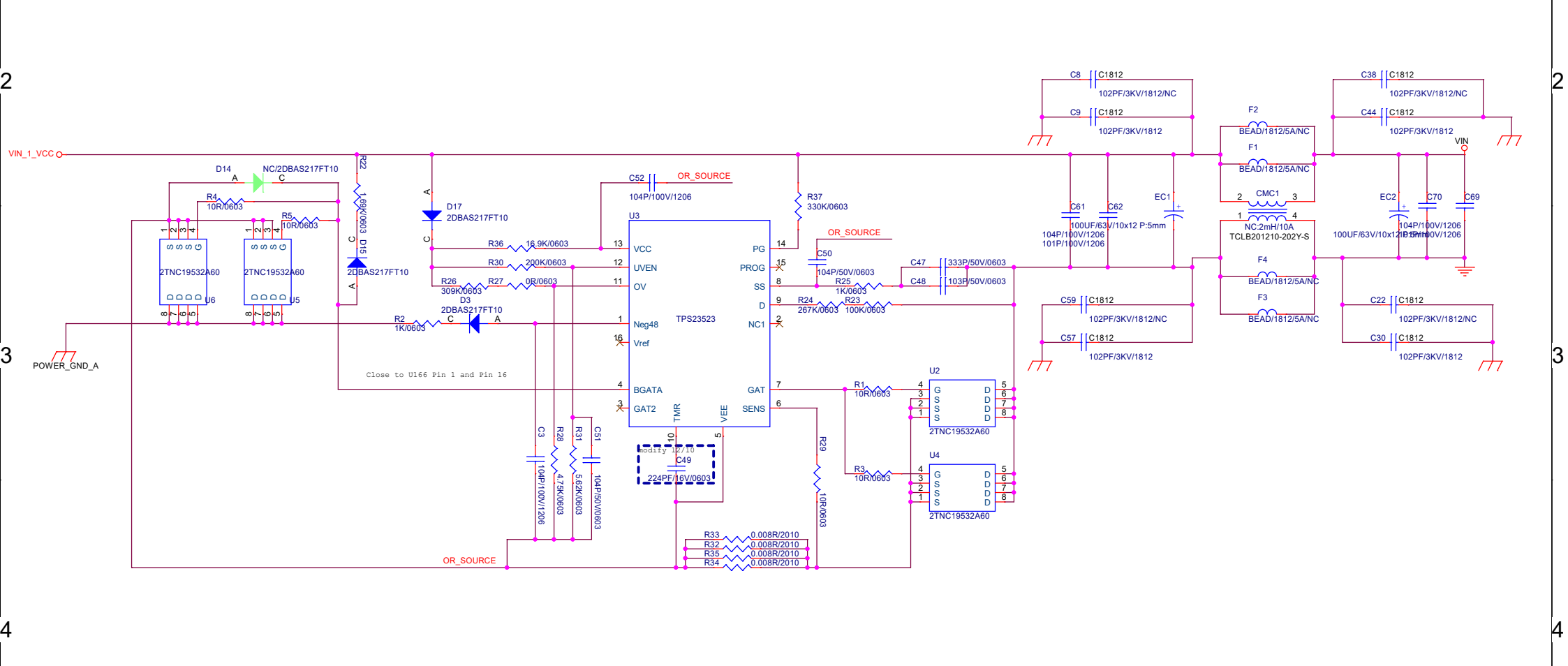
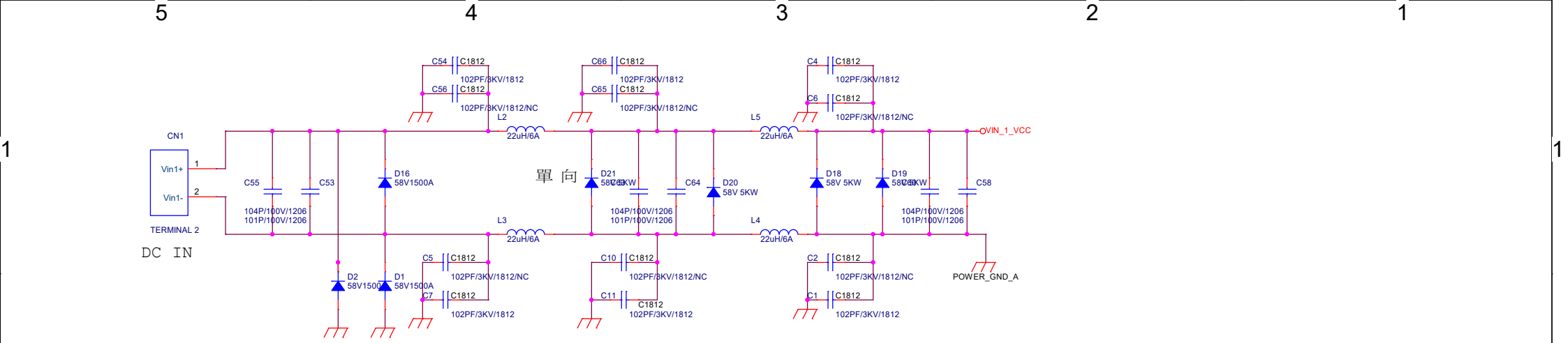


Title			LM5026MT		
Size	Document	Number	Rev		
Custom- Doc>			<RevCode>		
Date:	Friday, December 08, 2023	Sheet	1	of	1



Title			<Title>
Size	Document Number	Rev	
A3	<Doc>	<Rev>	
Date:	Friday, December 08, 2023	Sheet	1 of 1