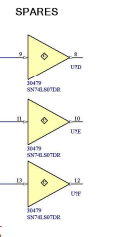
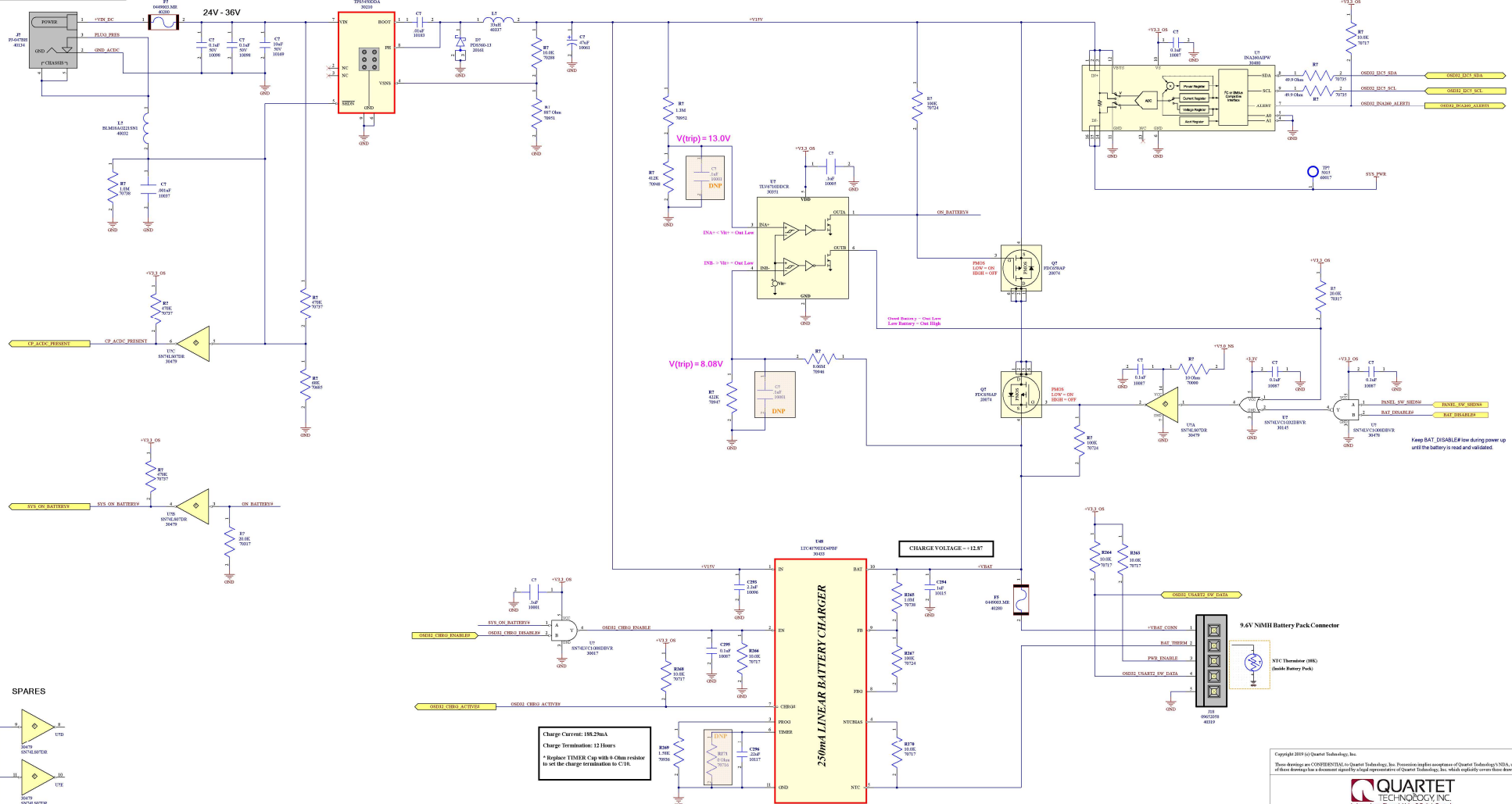


SYSTEM INPUT POWER

External AC TO DC Power Supply Requirements:
 1 24VDC - 1.25A / 30W
 2 5Amp Center Tap
 Chassis PFC: TR3BR02D40 12G12 BK BK Level VI
 QTI P/N: 8155



Charge Current: 180.2mA
 Charge Termination: 12 Hours
 * Replace TIMER Cap with a 10m resistor to set the charge termination to CVH.

Keep BAT_DISABLE low during power up until the battery is read and validated.

Copyright 2019 © Quartet Technology, Inc.
 These drawings are CONFIDENTIAL to Quartet Technology, Inc. Permission is hereby granted to Quartet Technology's SQA, and/or the holder of these drawings by a document signed by legal representatives of Quartet Technology, Inc. which explicitly covers these drawings.

QUARTET TECHNOLOGY, INC.
 Independence Through Voice & Switch Control

PROJECT:	Simple Series	REVISED:	Desktop Base Board
TITLE:	SYSTEM INPUT POWER		
SIZE:	REV:	QTI P/N:	DRAWING #:
D	A	60120	60120-00A
DATE:	9/6/2019		
FILE:	Input_Power 5-4-2012.SchDoc	SHEET:	16 OF 17