

**SPECIFICATIONS**

**Mechanical**

**Mating Force:** 1.5Kg max. (3.33Lb)  
**Unmating Force:** 0.35Kg min. (0.78Lb)  
**Durability:** 20000 Cycles

**Electrical**

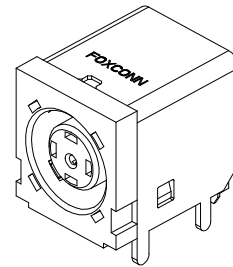
**Voltage Rating:** 42V  
**Current Rating:** 10A max.  
**Contact Resistance:** 30mW max. (initial)  
 40mW max. (after Life Test)  
**Dielectric Withstanding Voltage:** 150V AC/1min min.  
**Insulation Resistance:** 100MW min.

**Physical**

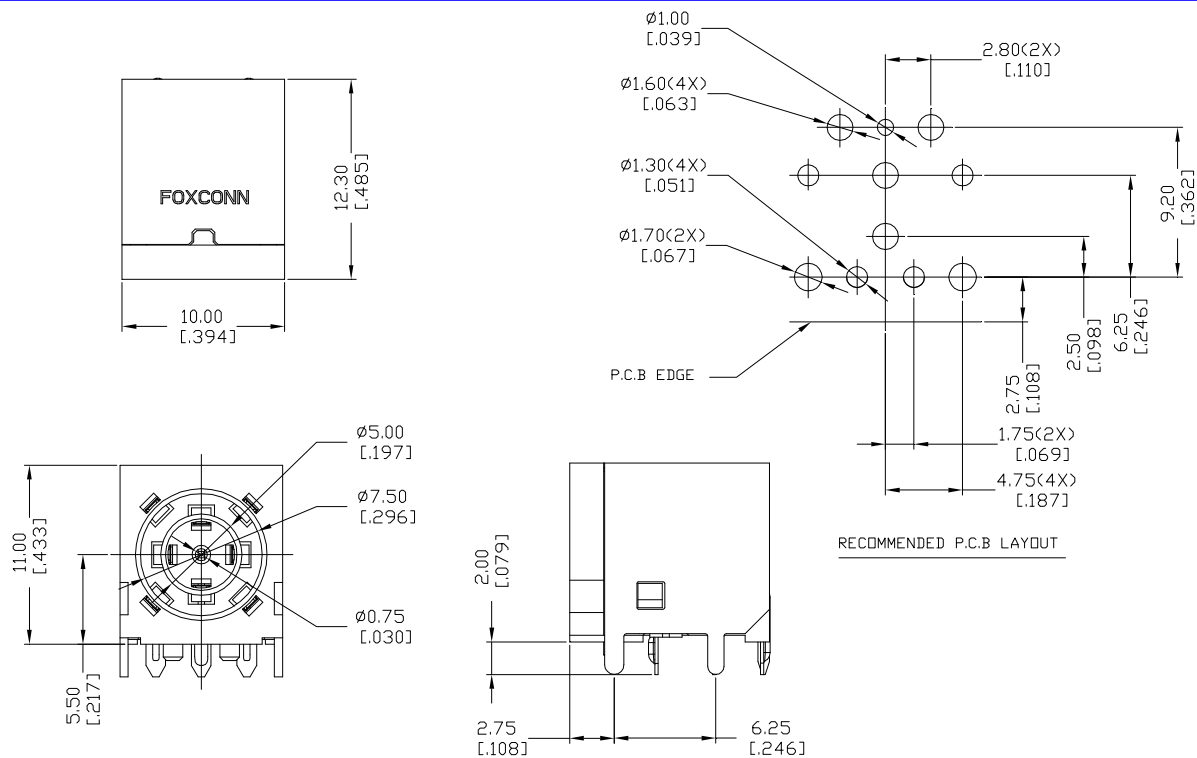
**Housing:** Hi-Temp. Thermoplastic, UL 94V-0 rated  
**Contact:** Copper alloy  
**Plating:** See "ORDERING INFORMATION"  
**Operating Temperature:** -40 to +85

**DC Power Jack Connector**

**JPD Series**  
**Right Angle, T/H**  
**3 Pos.**



**DRAWING**



**ORDERING INFORMATION**

PRODUCT NO. **J P D 1 1 3 5 - 5 0 9 - 7 F**

Jack Series	J	Lead Free Code	F
JP=Power Jack		F= Lead Free	
Power Type	D	Package Code	7
D=DC		7= Tape Reel Packing	
Terminator Type	1	Modification Code	3
1=Right Angle T/H		Contact Area Plating	5
Contact Design Type	1	5=50u" Gold Plated	
1=Female		No.of Pos	3
		3=3 Pos	