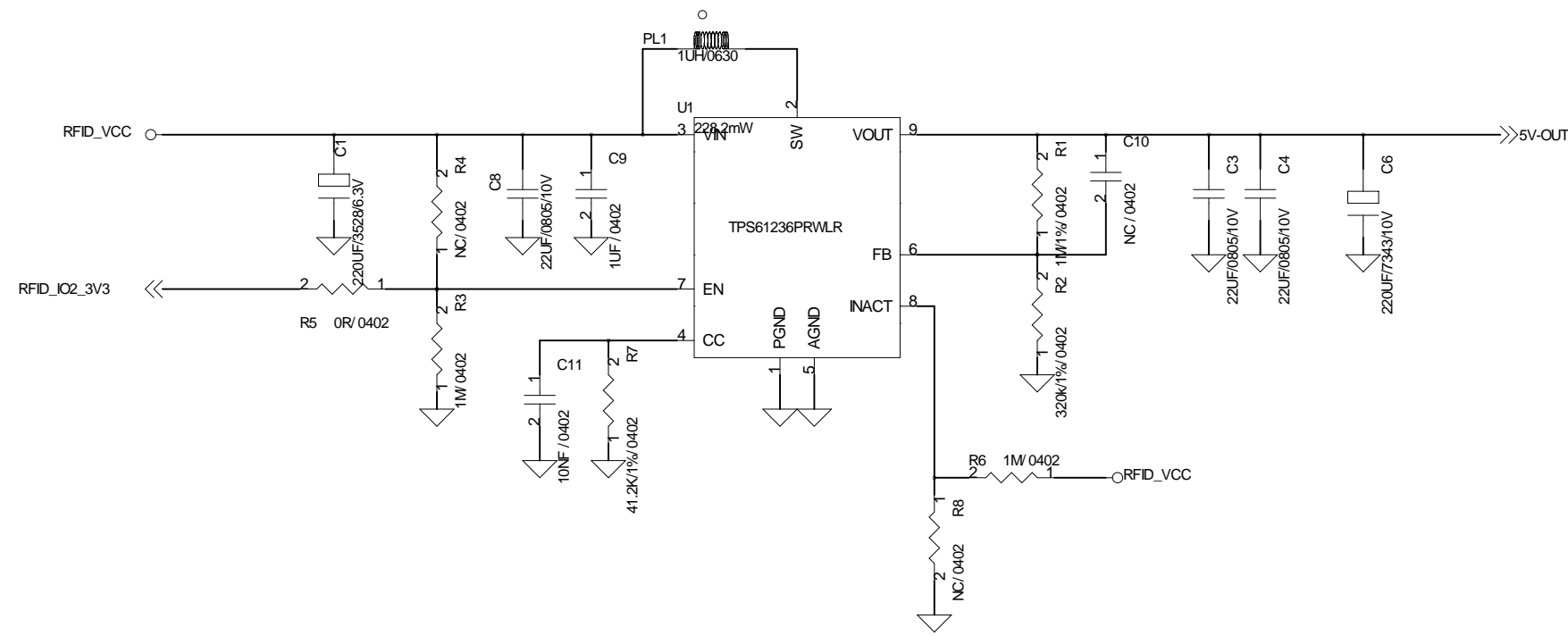
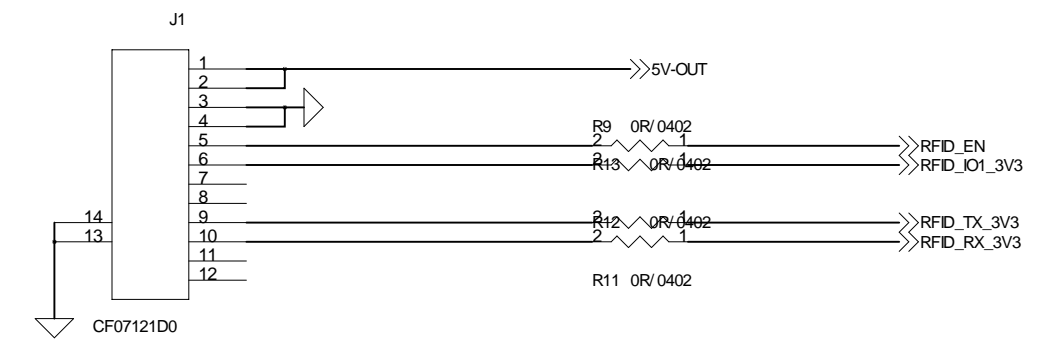


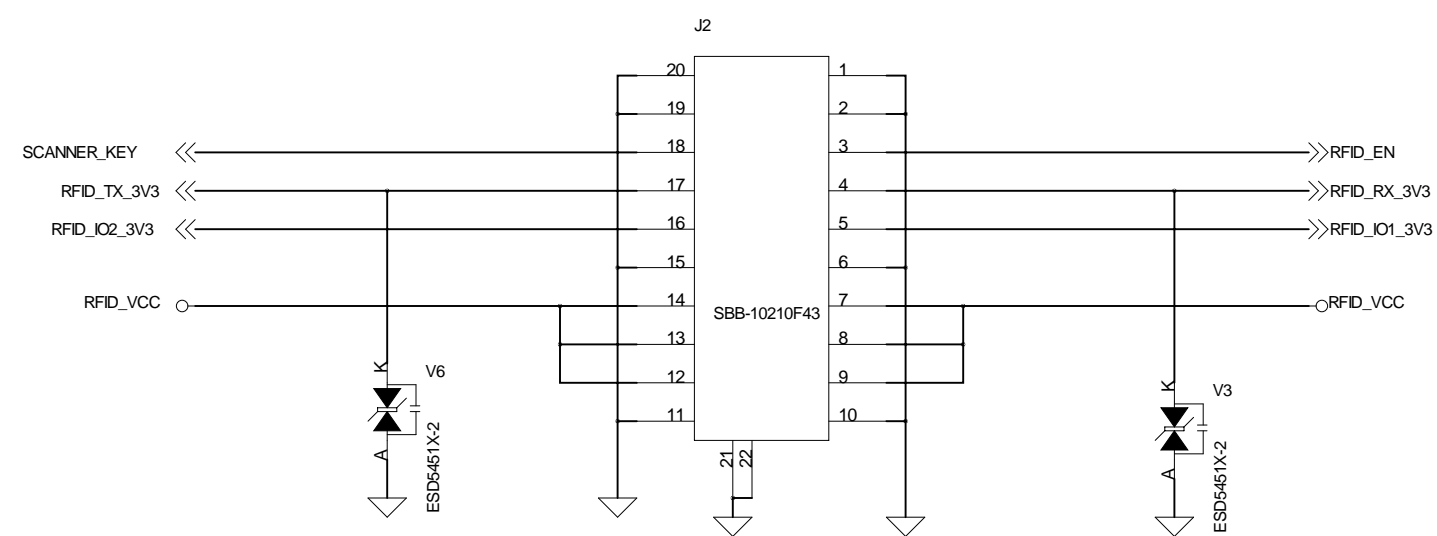
### BOOST-DC



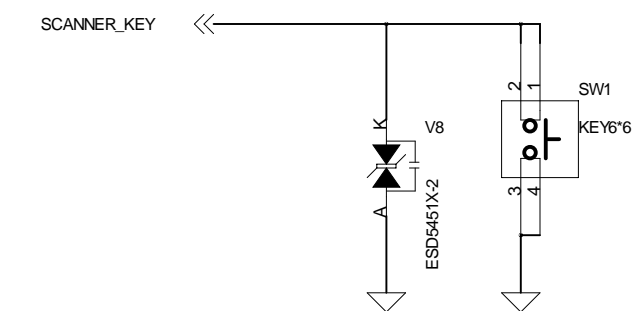
### UHF-connect



### MAIN-connect



### KEY



### MARK

