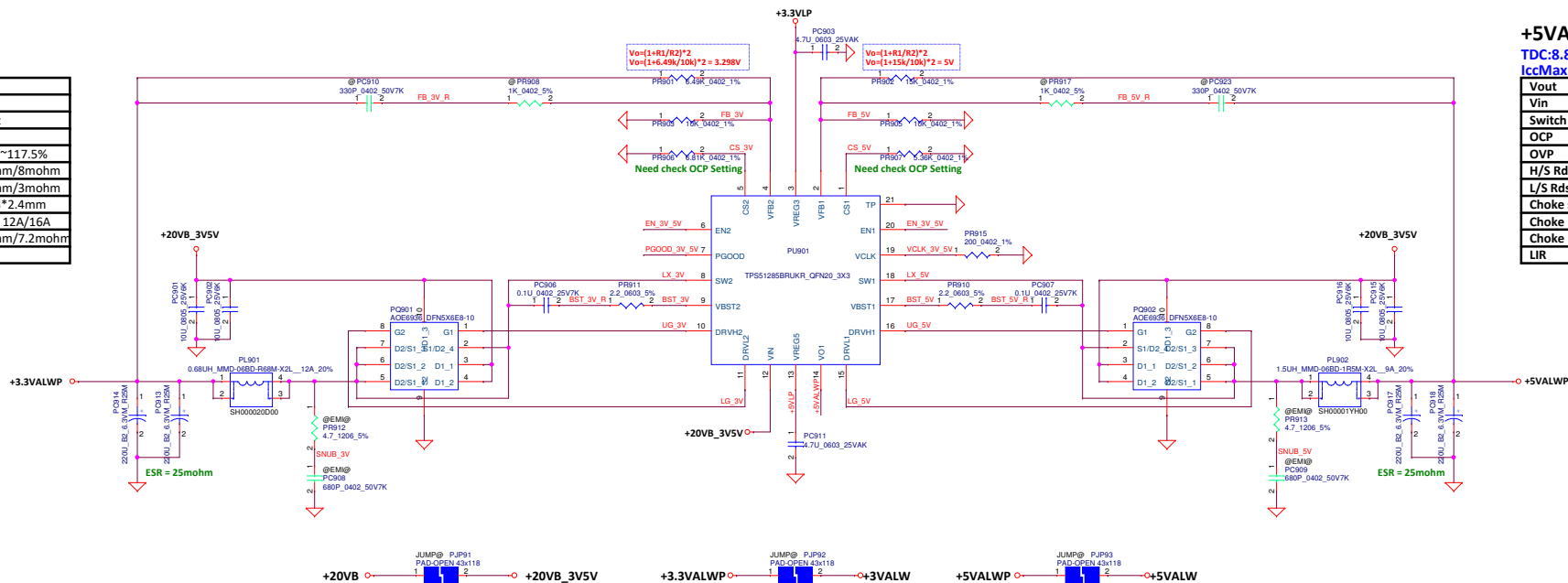


**+3VALW**  
**TDC:12.03A**  
**IccMax:17.17A**

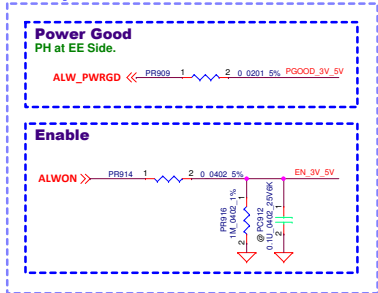
Vout	3V
Vin	20V
Switch Freq	475KHz
OCF	20A
OVP	112.5%~117.5%
H/S Rds(on)	5.2mohm/8mohm
L/S Rds(on)	2.6mohm/3mohm
Choke size	7.5*6.8*2.4mm
Choke Idc/Isat	0.68uH 12A/16A
Choke DCR	6.2mohm/7.2mohm
LIR	0.709

**+5VALW**  
**TDC:8.88A**  
**IccMax:12.69A**

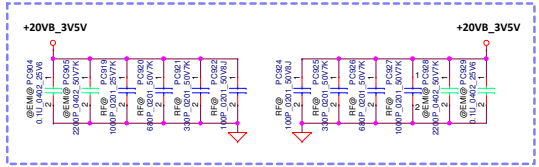
Vout	5V
Vin	20V
Switch Freq	400KHz
OCF	15.18A
OVP	112.5%~117.5%
H/S Rds(on)	5.2mohm/8mohm
L/S Rds(on)	2.6mohm/3mohm
Choke size	7.24*6.72*2.4mm
Choke Idc/Isat	1.5uH 9A/15A
Choke DCR	20mohm
LIR	0.731



Off Page



EMI/EMC/RF Part For Input Side



VR IC Spec Information

	+3.3V/5V_ALW	EN	EN(IC Internal)	PG	PG(IC internal)
Source Net	ALWON	EN_3V_5V	EN_3V_5V	ALW_PWRGD_3V_5V	PGOOD_3V_5V
Pull Up	NA(EE side)	NA	NA	NA(EE side)	NA
Pull Down	NA	PR916(1M)	NA	NA	NA

EMI/EMC/RF Part For Output Side

