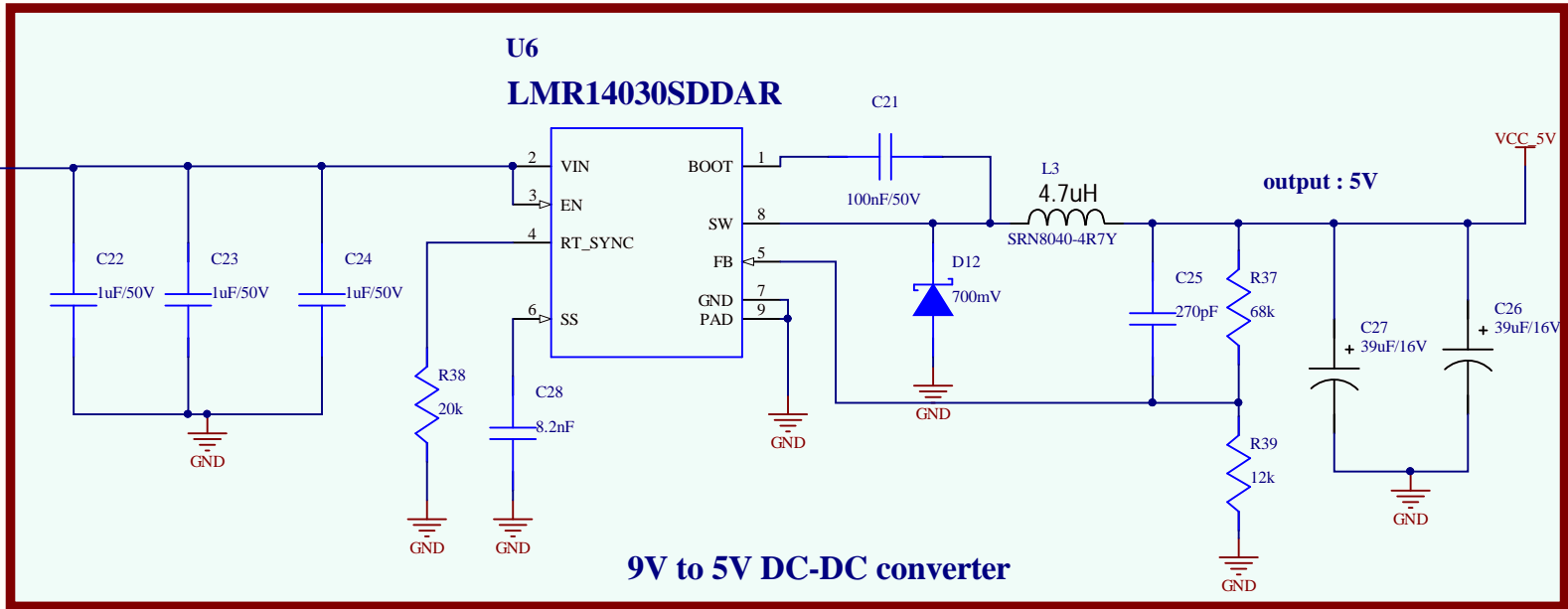
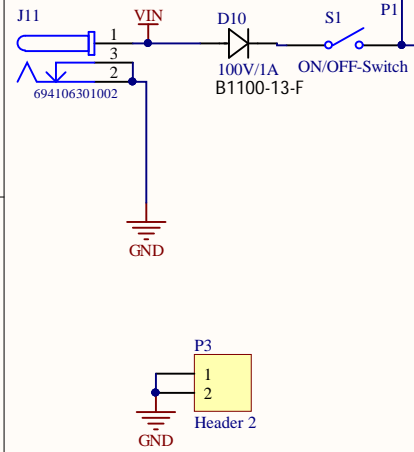
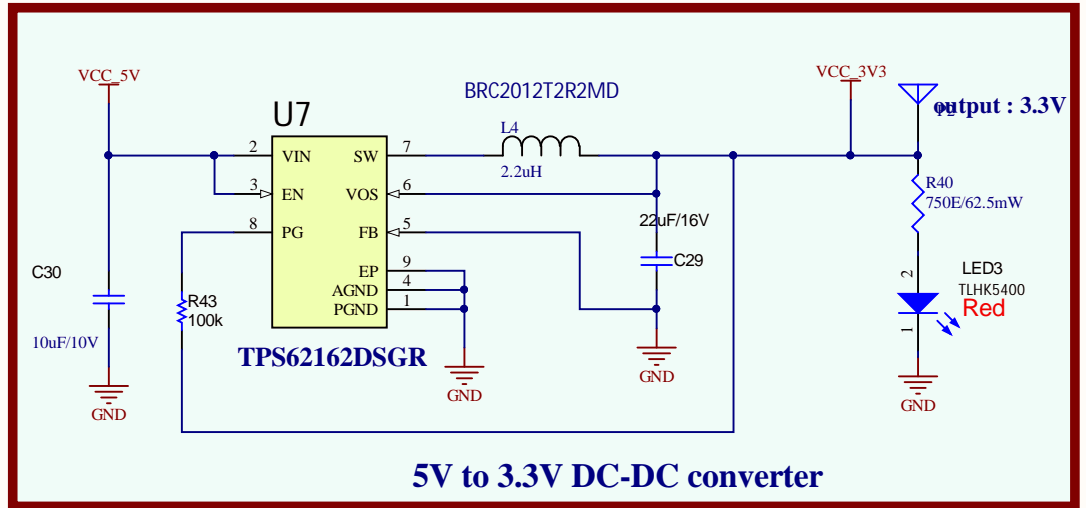
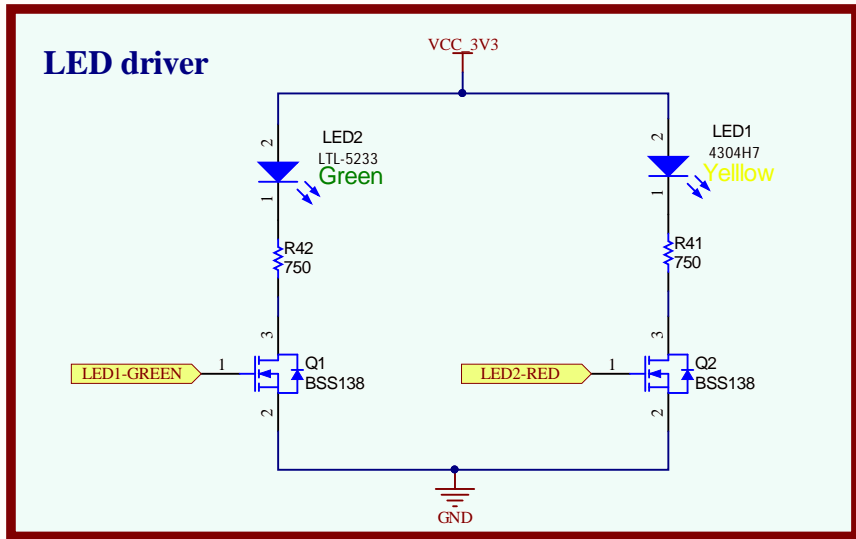


Input : 12V/2A



output : 5V

LED driver



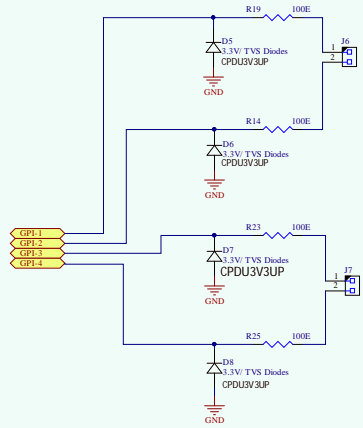
output : 3.3V



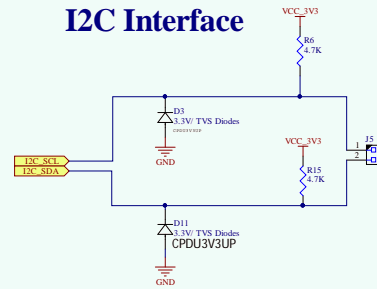
Copyright Crevavi 2014-2015. Not to be Distributed outside Crevavi without duly authorized permission.

Title <b>Konnect-Wi-2V0_Power-supply &amp; LED trigger</b>			Crevavi Technologies Pvt Ltd A V Complex (2nd floor) Ring Road Hebbal Industrial Area India - 570016	<b>Crevavi</b>
Size: <b>A4</b>	Number: <b>I</b>	Revision:		
Date: <b>05-04-2019</b>	Time: <b>11:49:07</b>	Sheet <b>1</b> of <b>1</b>		
File: <b>E:\Projects\Crevavi\CRE0023_Konnect-Wi\Konnect-Wi-CRE0023_2V0\Altium\Konnect-Wi-CRE0023_Power-Supply_2V0_rev1.0.S</b>				

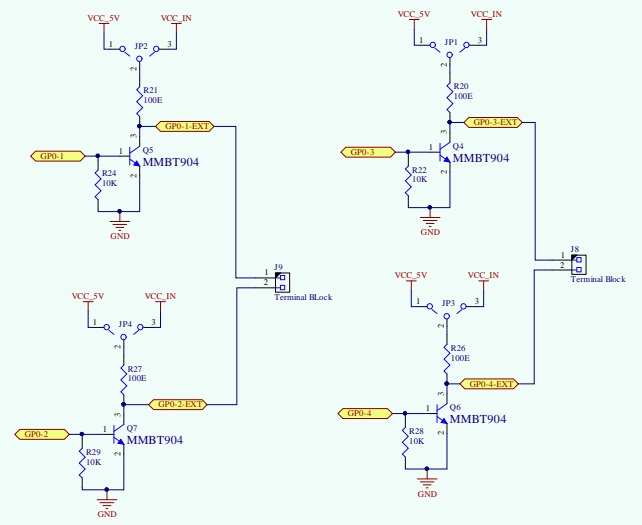
## Digital Input



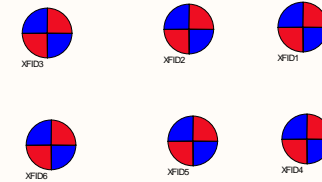
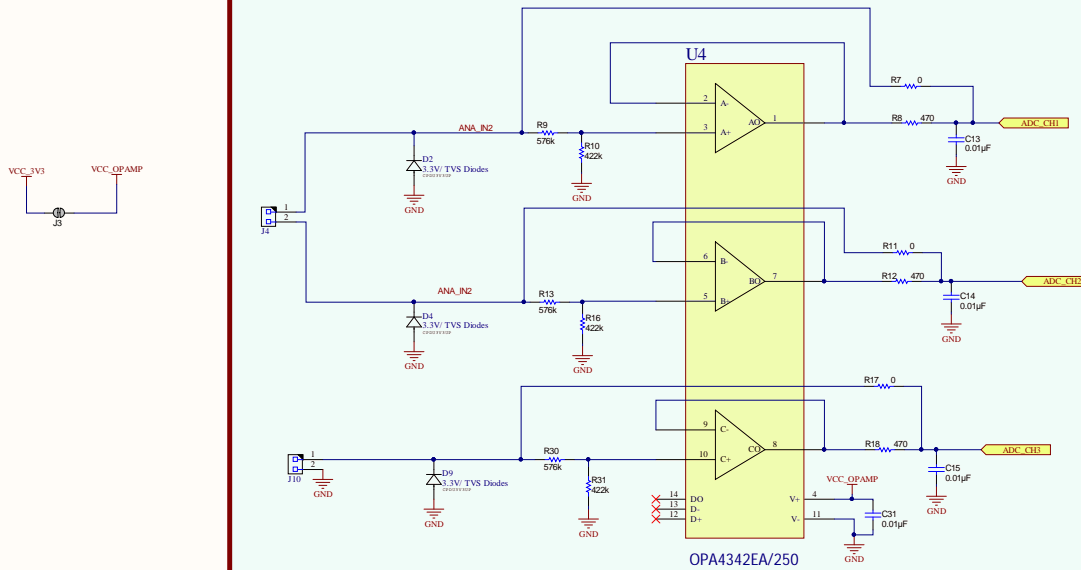
## I2C Interface



## Digital Output

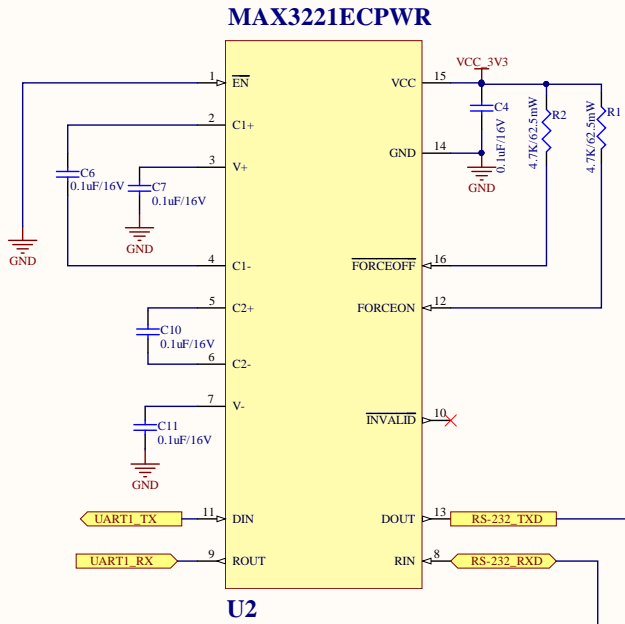


## Analog Input

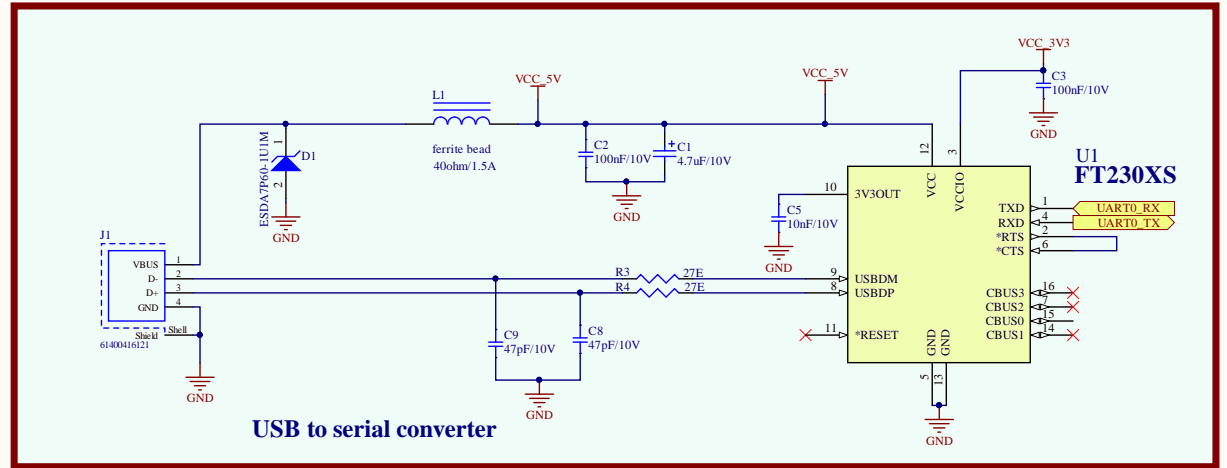
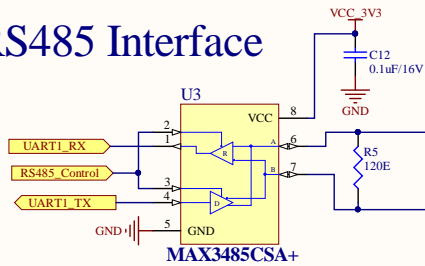


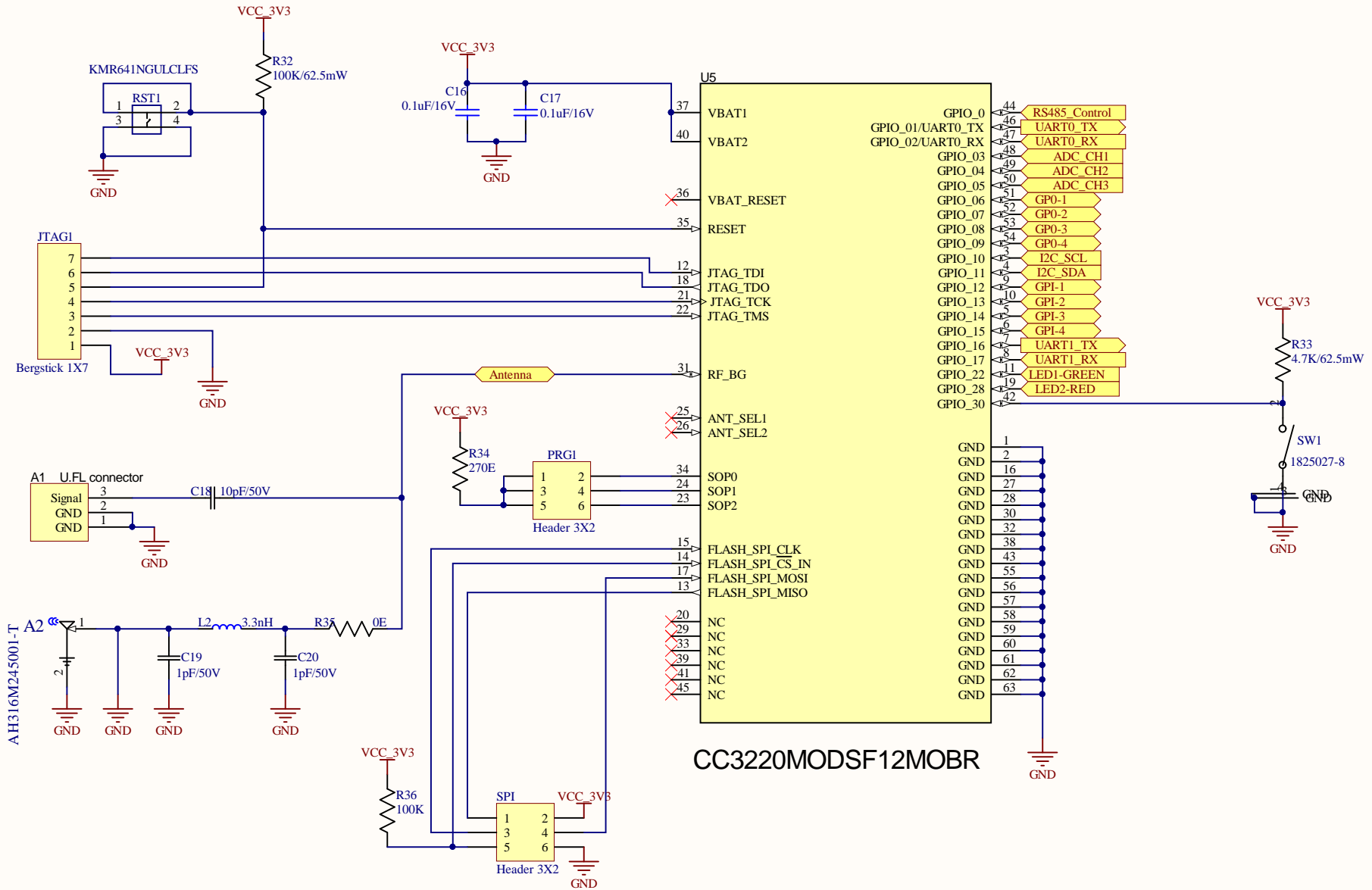
FID

# RS232 Interface



# RS485 Interface





CC3220MODSF12MOBR

Title <b>Konnect-Wi-2V0_Wi-Fi module</b>			Crevavi Technologies Pvt Ltd A V Complex (2nd floor) Ring Road Hebbal Industrial Area India - 570016		
Size: A4	Number:	Revision:			
Date: 05-04-2019	Time: 11:49:08	Sheet of			
File: E:\Projects\Crevavi\CRE0023_Konnect-Wi\Konnect-Wi-CRE0023_2V0\Altium\Konnect-Wi-CRE0023_MCU_2V0_rev1.1.SchDoc					