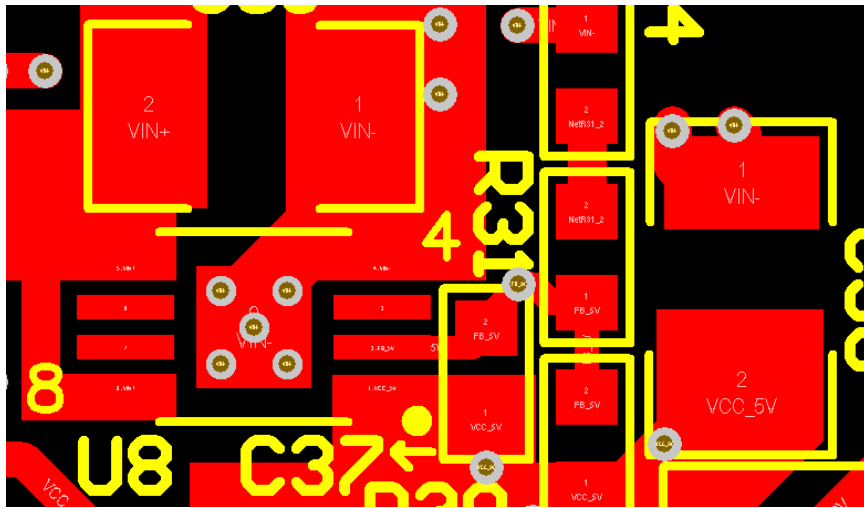
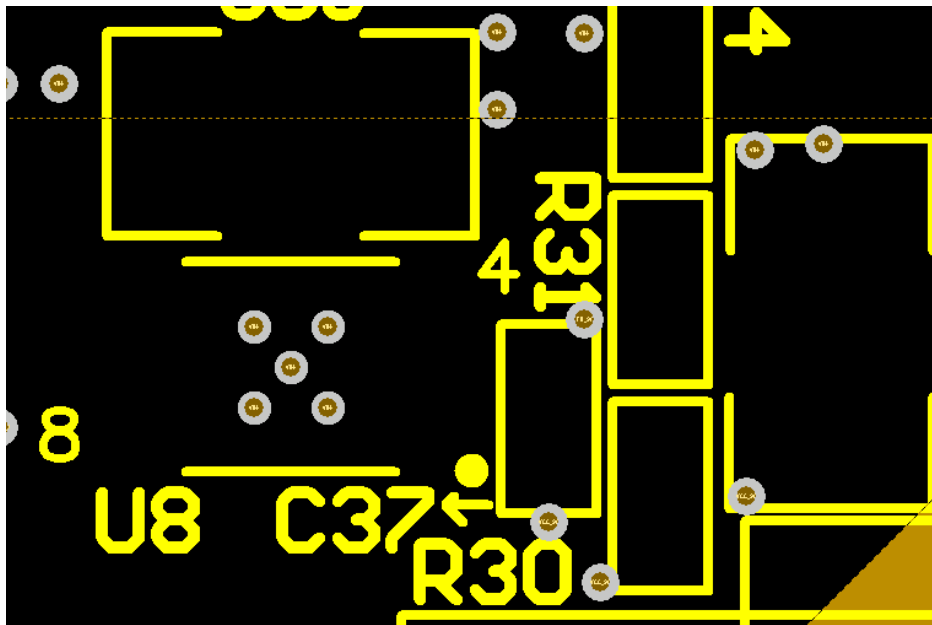


LDO [TPS7A4001](#) Layout

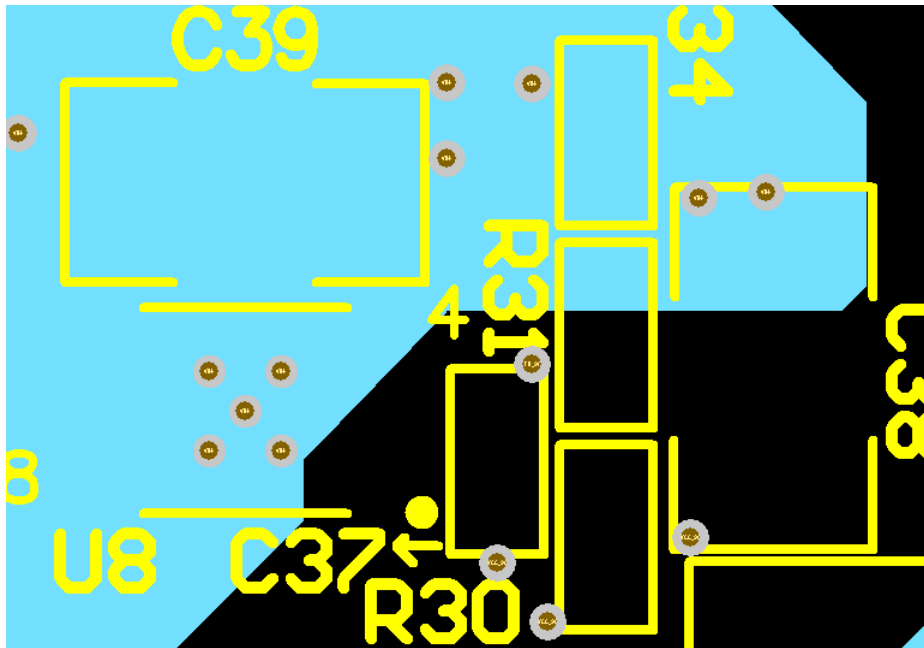
Layer 1 (TOP)



Layer2



Layer3



Layer4 (Bottom)

