

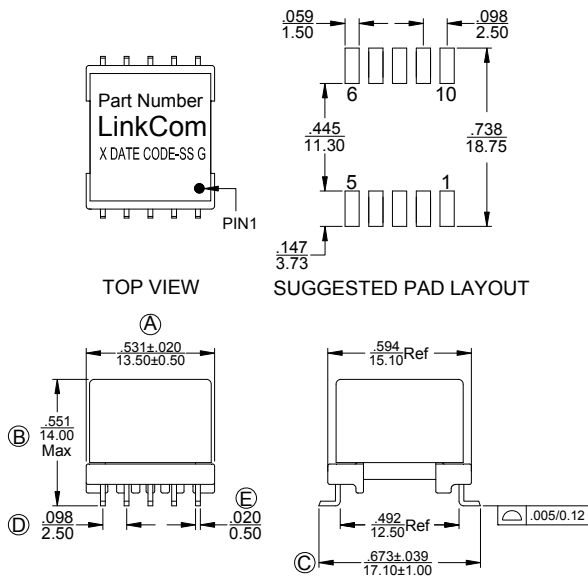
DC/DC Transformer

- Forward Transformer for PoE applications
- RoHS Compliant
- Operating Temperature -40°C to +125°C
- Storage Temperature -40°C to +85°C

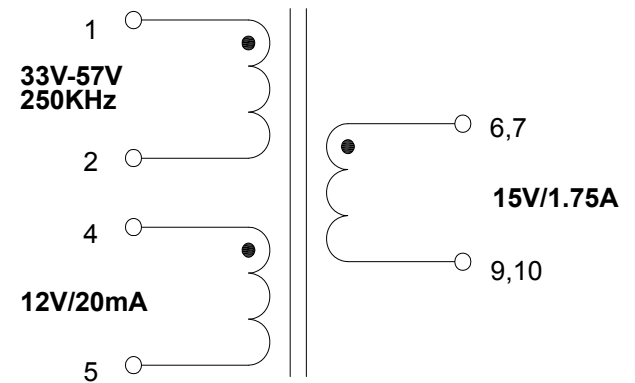
Electrical Specifications @25°C	
Inductance:	PIN 1-2 = 100uH ±10% @ 100K/0.1V
Leakage Inductance:	PIN 1-2 = 1.00uH Max. @ 100K/0.1V (Pin 4,5 shorted and Pin 6,7,9,10 shorted)
D.C.R	PIN 1-2 = 175 mohm Max.
	PIN 4-5 = 310 mohm Max.
	PIN 6,7- 9,10 = 68 mohm Max. (Pin 6,7 shorted and Pin 9,10 shorted)
Turn Ratio:	PIN 1-2 : PIN 4-5 = 1.75±3%:1
	PIN 1-2 : PIN 6,7-9,10 = 1.40±3%:1 (Pin 6,7 shorted and Pin 9,10 shorted)
Hi-POT :	PRI. - SEC. =1500VAC/2Sec/1mA

Dimensions

(Units: $\frac{\text{Inches}}{\text{mm}}$, Unless otherwise specified, all tolerances are $\pm \frac{.010}{0.25}$)



Schematic



Secondary winding to be connected in parallel on PC board.

Mark

1. Part Number----LDT6085
2. X----PRODUCT LINE or BLANK
3. DATE CODE----YYWW
4. SS----50 or BLANK
5. G----RoHS

Package info

LDT6085-50R—Tape Reel