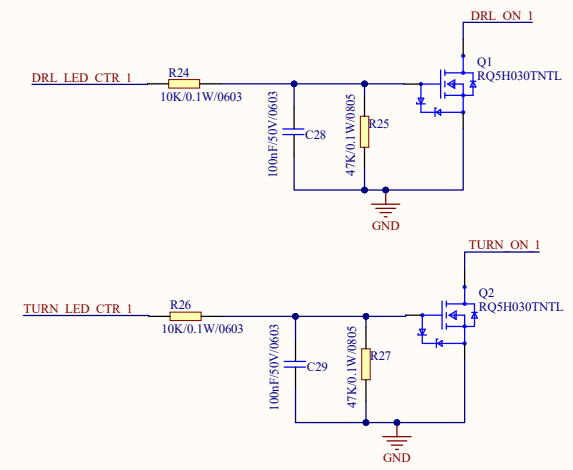
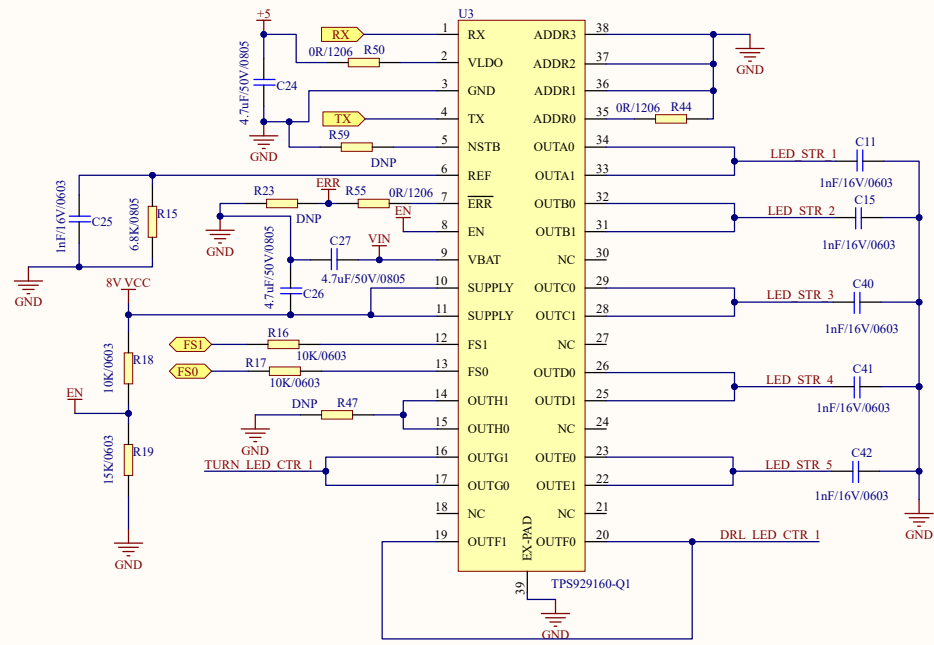
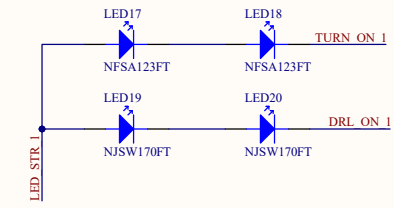
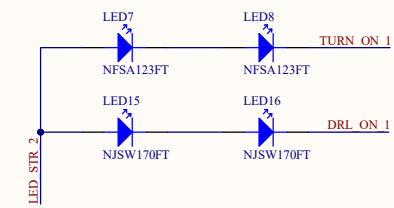
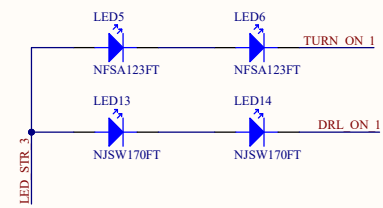
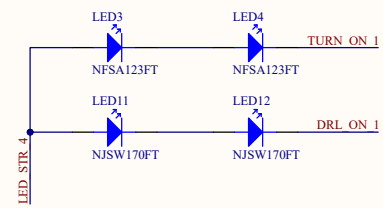
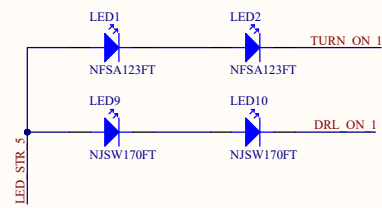
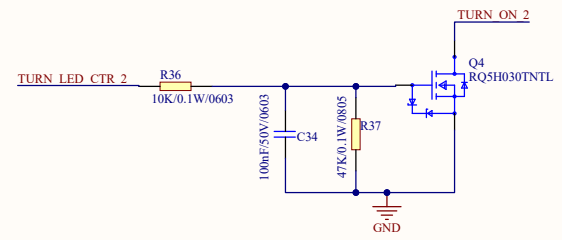
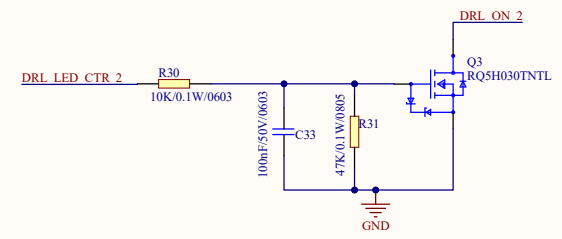
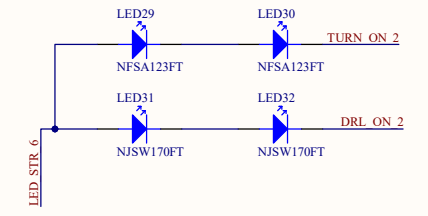
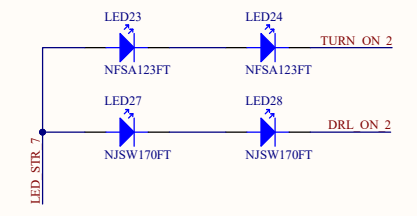
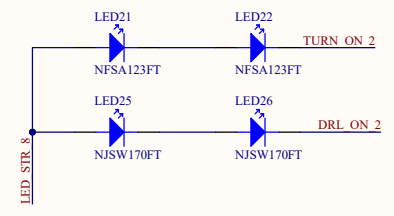
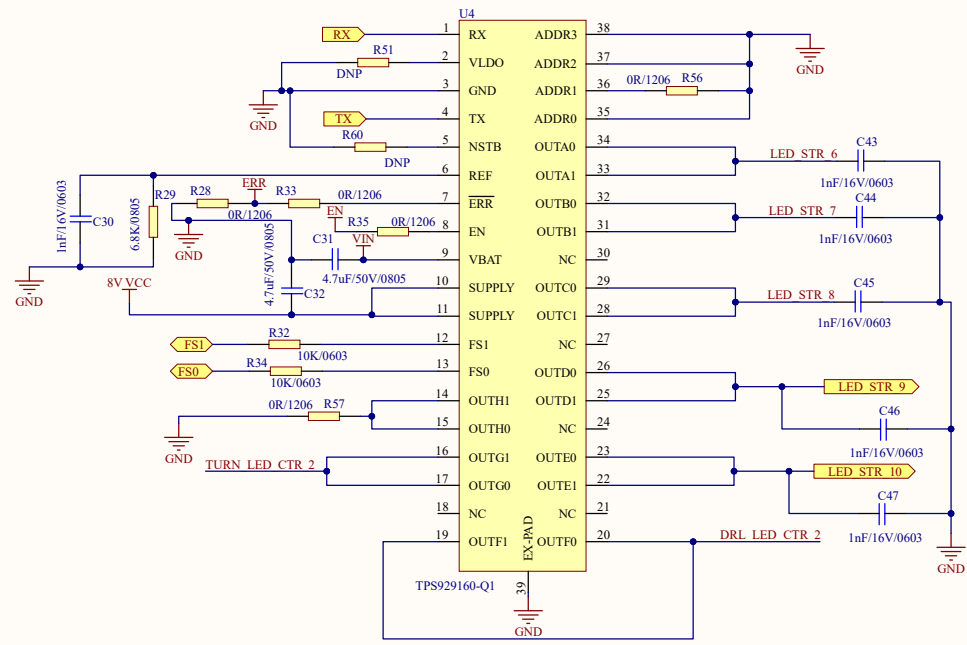


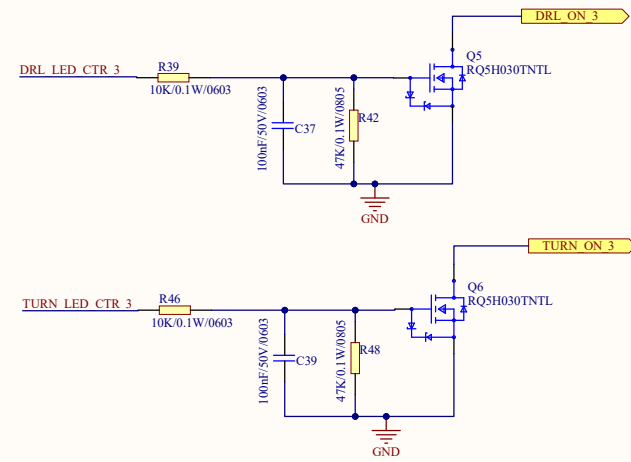
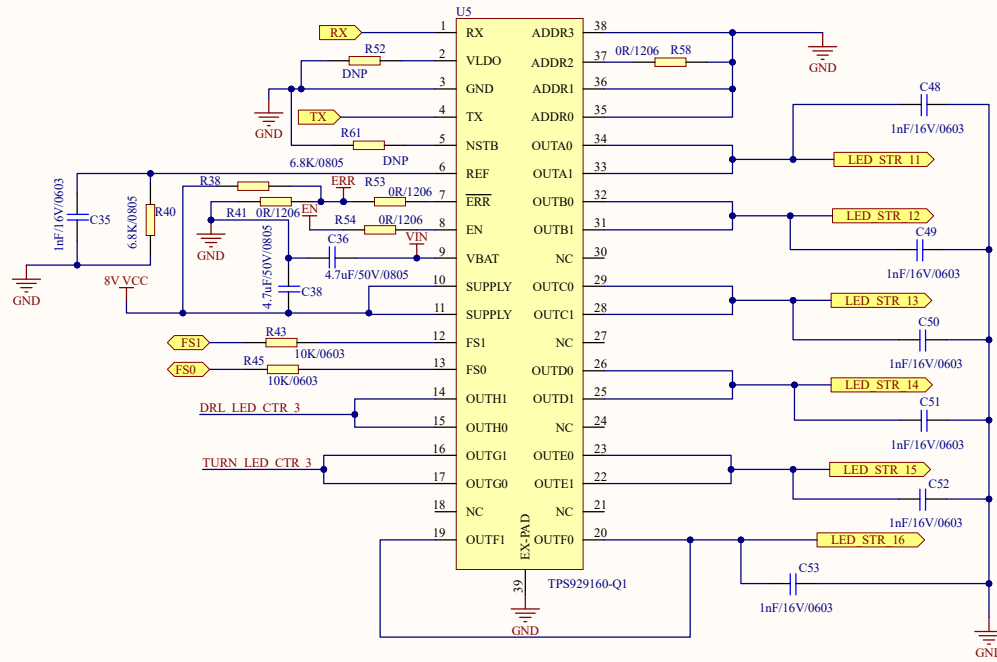
Title		
Size	Number	Revision
A3		
Date:	11-02-2023	Sheet of
File:	D:\Office\...Input.SchDoc	Drawn By:



Title		
Size	Number	Revision
A3		
Date:	11-02-2023	Sheet of
File:	D:\Office\IT-IC-1.SchDoc	Drawn By:



Title		
Size	Number	Revision
A3		
Date:	11-02-2023	Sheet of
File:	D:\Office\...ITC-2.SchDoc	Drawn By:



Title		
Size	Number	Revision
A3		
Date:	11-02-2023	Sheet of
File:	D:\Office\11-IC-3.SchDoc	Drawn By: