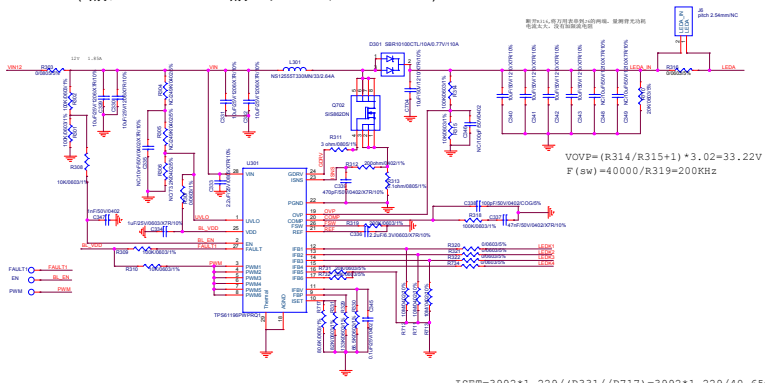


LED DRIVER (输入: 12V 输出: 24V/120mA*4)



$$VOVP = (R314/R315+1) * 3.02 = 33.22V$$
$$F(sw) = 40000/R319 = 200KHz$$

$$ISET = 3992 * 1.229 / (R331/R717) = 3992 * 1.229 / 40.65 = 120.69mA$$
$$Vled_short = R329 / (R331/R717) * 1.229 = 133 / 40.65 * 1.229 = 4.02V$$
$$VifbV = R330 / (R331/R717) * 307.3 = 66.5 / 40.65 * 307.3 = 502.72mV$$

