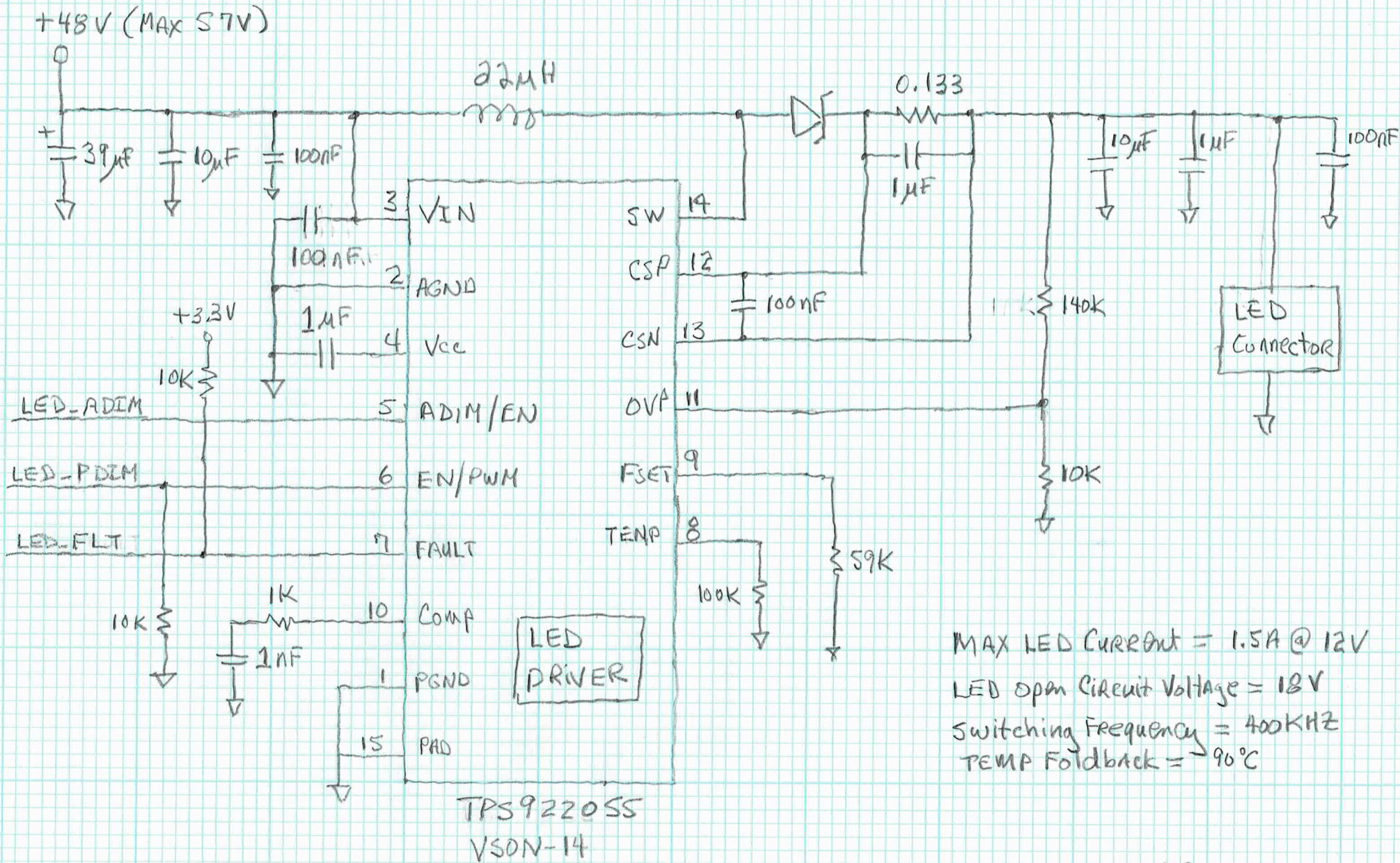


# LED DRIVER



MAX LED CURRENT = 1.5A @ 12V  
 LED Opn Circuit Voltage = 18V  
 Switching Frequency = 400KHZ  
 TEMP Foldback = 90°C