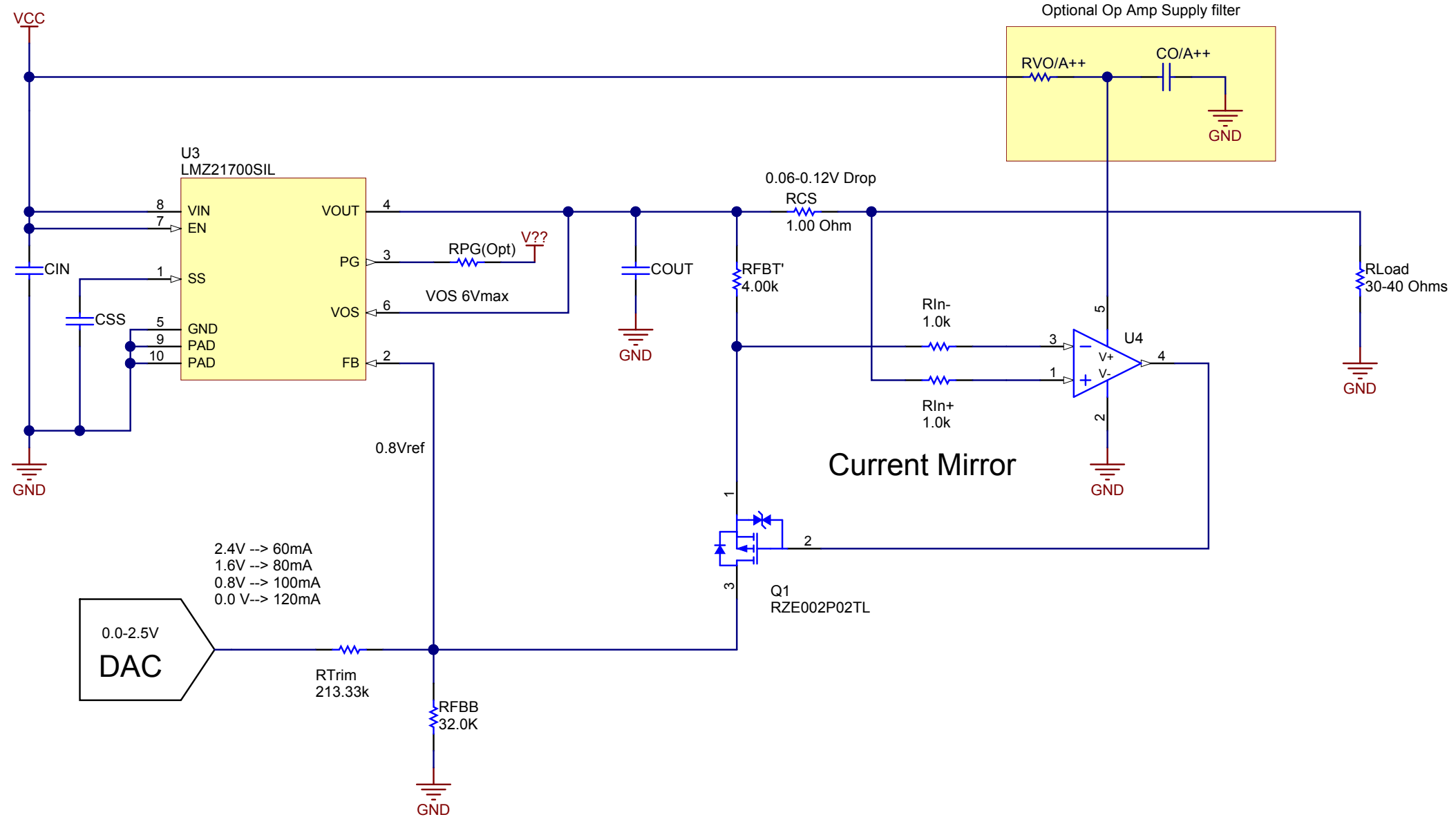


Texas Instruments and/or its licensors do not warrant the accuracy or completeness of this specification or any information contained therein. Texas Instruments and/or its licensors do not warrant that this design will meet the specifications, will be suitable for your application or fit for any particular purpose, or will operate in an implementation. Texas Instruments and/or its licensors do not warrant that the design is production worthy. You should completely validate and test your design implementation to confirm the system functionality for your application.

Orderable: <a href="#">EVM_orderable</a>	Designed for: <a href="#">Public Release</a>	Mod. Date: 5/27/2015
TID #: N/A	Project Title: <a href="#">LMZ21700_Tricks</a>	
Number: <a href="#">XX####</a>	Rev: <a href="#">E1</a>	Sheet Title:
SVN Rev: <a href="#">Version control disabled</a>	Assembly Variant: <a href="#">[No Variations]</a>	Sheet: <a href="#">2</a> of <a href="#">3</a>
Drawn By: <a href="#">Alan Martin</a>	File: <a href="#">CC_Low_Side_Sense.SchDoc</a>	Size: Letter
Engineer: <a href="#">Alan Martin</a>	Contact: <a href="#">http://www.SimpleSwitcher.com</a>	





Texas Instruments and/or its licensors do not warrant the accuracy or completeness of this specification or any information contained therein. Texas Instruments and/or its licensors do not warrant that this design will meet the specifications, will be suitable for your application or fit for any particular purpose, or will operate in an implementation. Texas Instruments and/or its licensors do not warrant that the design is production worthy. You should completely validate and test your design implementation to confirm the system functionality for your application.

Orderable: <a href="#">EVM_orderable</a>	Designed for: <a href="#">Public Release</a>	Mod. Date: 5/27/2015
TID #: N/A	Project Title: <a href="#">LMZ21700_Tricks</a>	
Number: <a href="#">XX####</a>	Rev: <a href="#">E1</a>	Sheet Title:
SVN Rev: <a href="#">Version control disabled</a>	Assembly Variant: <a href="#">[No Variations]</a>	Sheet: <a href="#">2</a> of <a href="#">3</a>
Drawn By: <a href="#">Alan Martin</a>	File: <a href="#">CC_High_Side_Sense.SchDoc</a>	Size: Letter
Engineer: <a href="#">Alan Martin</a>	Contact: <a href="#">http://www.SimpleSwitcher.com</a>	

