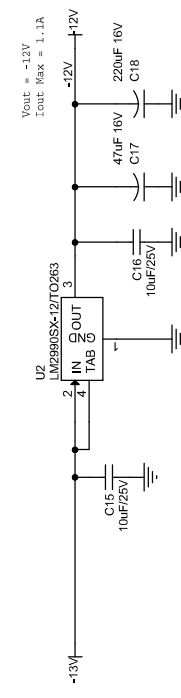
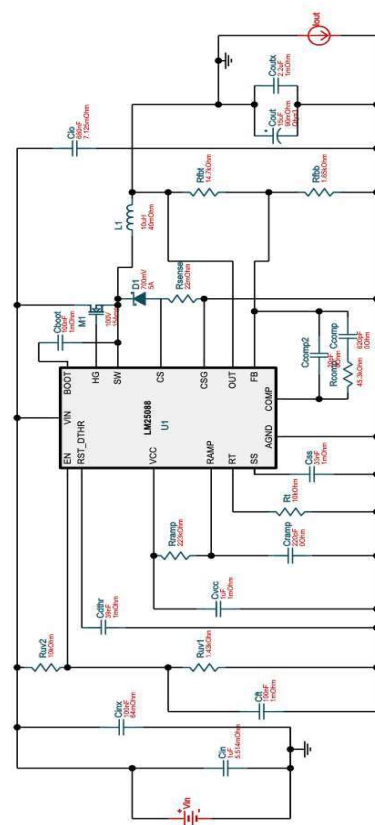
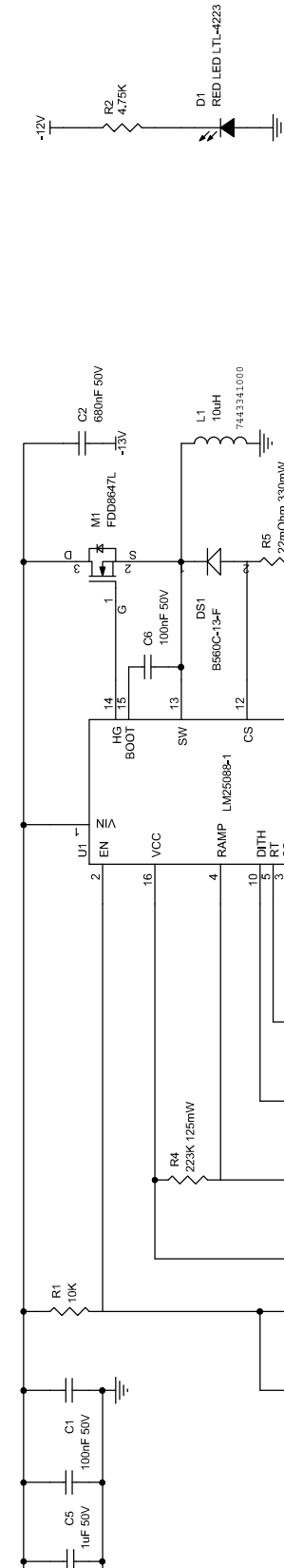
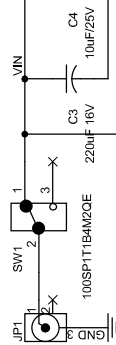


VIN +13VDC

LD-0222-2.5 DC JACK



Type text here

Title		Schematic	
Size	B	Document Number	XXXXXXXXXXXX
Date	Monday, June 13, 2022	Sheet	1 of 1

Rev	<Rev
1	1