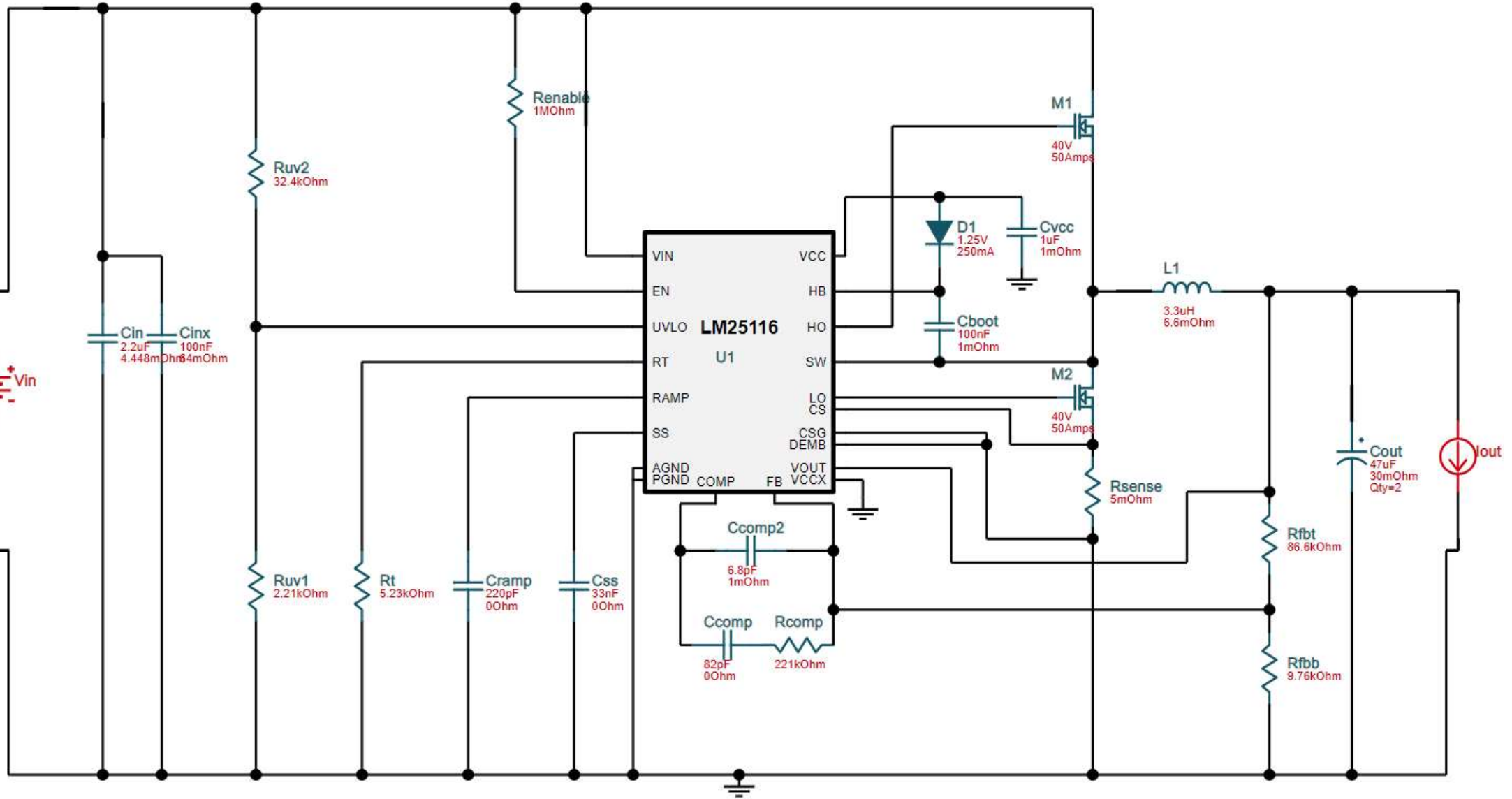


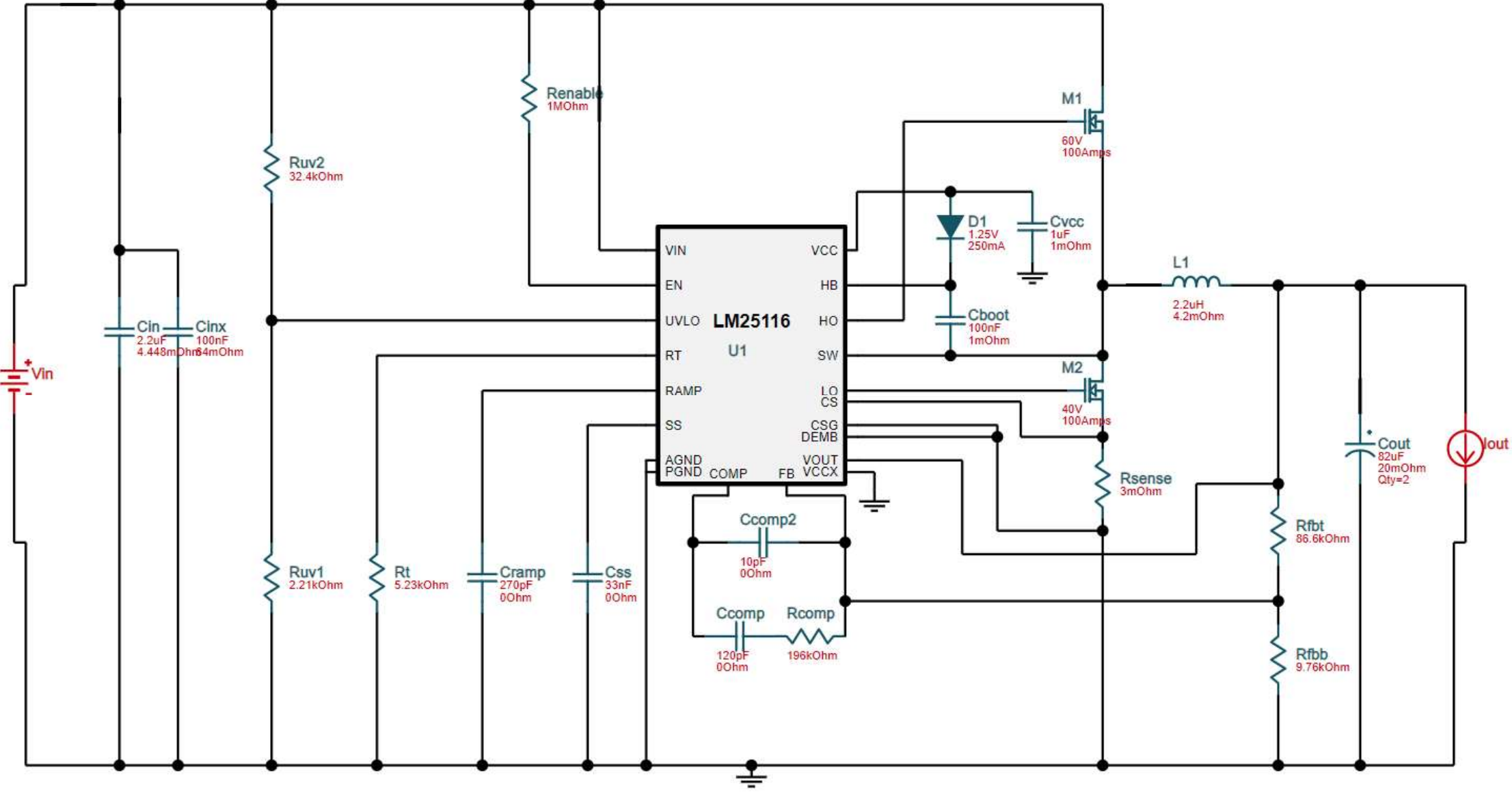
Input: DC 24 V - 30 V, Output: 12 V at 10 A, Temp: 60 °C



Input: DC 24 V - 30 V, Output: 12 V at 10 A, Temp: 60 °C

Part	Manufacturer	Part Number	Quantity	Price (\$)	Footprint (mm ²)	Description
U1	Texas Instruments	LM25116MHX/NOPB	1	1.646	71.4	
M1	Texas Instruments	CSD18504Q5A	1	0.34	55.2	VdsMax: 40 V IdsMax: 50 Amps
M2	Texas Instruments	CSD18514Q5A	1	0.26	55.2	VdsMax: 40 V IdsMax: 50 Amps
L1	Bourns	SRP1270-3R3M	1	0.72	246.49	L: 3.3 µH DCR: 6.6 mΩ IDC: 18 A
Cout	Panasonic	25SVPF47M	2	0.44	73.96	Cap: 47 µF Total Derated Cap: 94 µF VDC: 25 V ESR: 30 mΩ Package: 6.3x6
Ccomp2	MuRata	GRM1555C1E6R8CA01D	1	0.01	3	Cap: 6.8 pF Total Derated Cap: 6.8 pF VDC: 25 V ESR: 1 mΩ Package: 0402
Cinx	Kemet	C0805C104M5RACTU	1	0.01	6.75	Cap: 100 nF Total Derated Cap: 100 nF VDC: 50 V ESR: 64 mΩ Package: 0805
Rfbb	Vishay-Dale	CRCW04029K76FKED	1	0.01	3	Resistance: 9.76 kΩ Tolerance: 1.0% Power: 63 mW
Rfbt	Yageo	AC0402FR-0786K6L	1	0.01	3	Resistance: 86.6 kΩ Tolerance: 1.0% Power: 63 mW
Ruv1	Vishay-Dale	CRCW08052K21FKEA	1	0.01	6.75	Resistance: 2.21 kΩ Tolerance: 1.0% Power: 125 mW
Cboot	MuRata	GRM155R71C104KA88D	1	0.01	3	Cap: 100 nF Total Derated Cap: 100 nF VDC: 16 V ESR: 1 mΩ Package: 0402
Cvcc	Taiyo Yuden	TMK212B7105KG-T	1	0.02	6.75	Cap: 1 µF Total Derated Cap: 1 µF VDC: 25 V ESR: 1 mΩ Package: 0805
Renable	Vishay-Dale	CRCW04021M00FKED	1	0.01	3	Resistance: 1 MΩ Tolerance: 1.0% Power: 63 mW
Css	TDK	CGA4J2C0G1H333J125AA	1	0.09	6.75	Cap: 33 nF Total Derated Cap: 33 nF VDC: 50 V ESR: 0 Ω Package: 0805
Cin	MuRata	GRM31CR71H225KA88L	1	0.1	10.92	Cap: 2.2 µF Total Derated Cap: 1.2 µF VDC: 50 V ESR: 4.45 mΩ Package: 1206
Cramp	Taiyo Yuden	UMK105CG221JVHF	1	0.01	3	Cap: 220 pF Total Derated Cap: 220 pF VDC: 50 V ESR: 0 Ω Package: 0402
Rsense	Susumu Co Ltd	PRL1632-R005-F-T1	1	0.2	10.92	Resistance: 5 mΩ Tolerance: 1.0% Power: 1 W
Rcomp	Vishay-Dale	CRCW0402221KFKED	1	0.01	3	Resistance: 221 kΩ Tolerance: 1.0% Power: 63 mW
Ruv2	Vishay-Dale	CRCW080532K4FKEA	1	0.01	6.75	Resistance: 32.4 kΩ Tolerance: 1.0% Power: 125 mW
Ccomp	Taiyo Yuden	UMK105CG820JVHF	1	0.01	3	Cap: 82 pF Total Derated Cap: 82 pF VDC: 50 V ESR: 0 Ω Package: 0402
D1	Nexperia	BAS516 115	1	0.21	5.13	Type: Switching VRRM: 100 V Io: 250 mA
Rt	Vishay-Dale	CRCW04025K23FKED	1	0.01	3	Resistance: 5.23 kΩ Tolerance: 1.0% Power: 63 mW
Rramp	Vishay-Dale	CRCW0402464KFKED	1	0.01	3	Resistance: 464 kΩ Tolerance: 1.0% Power: 63 mW

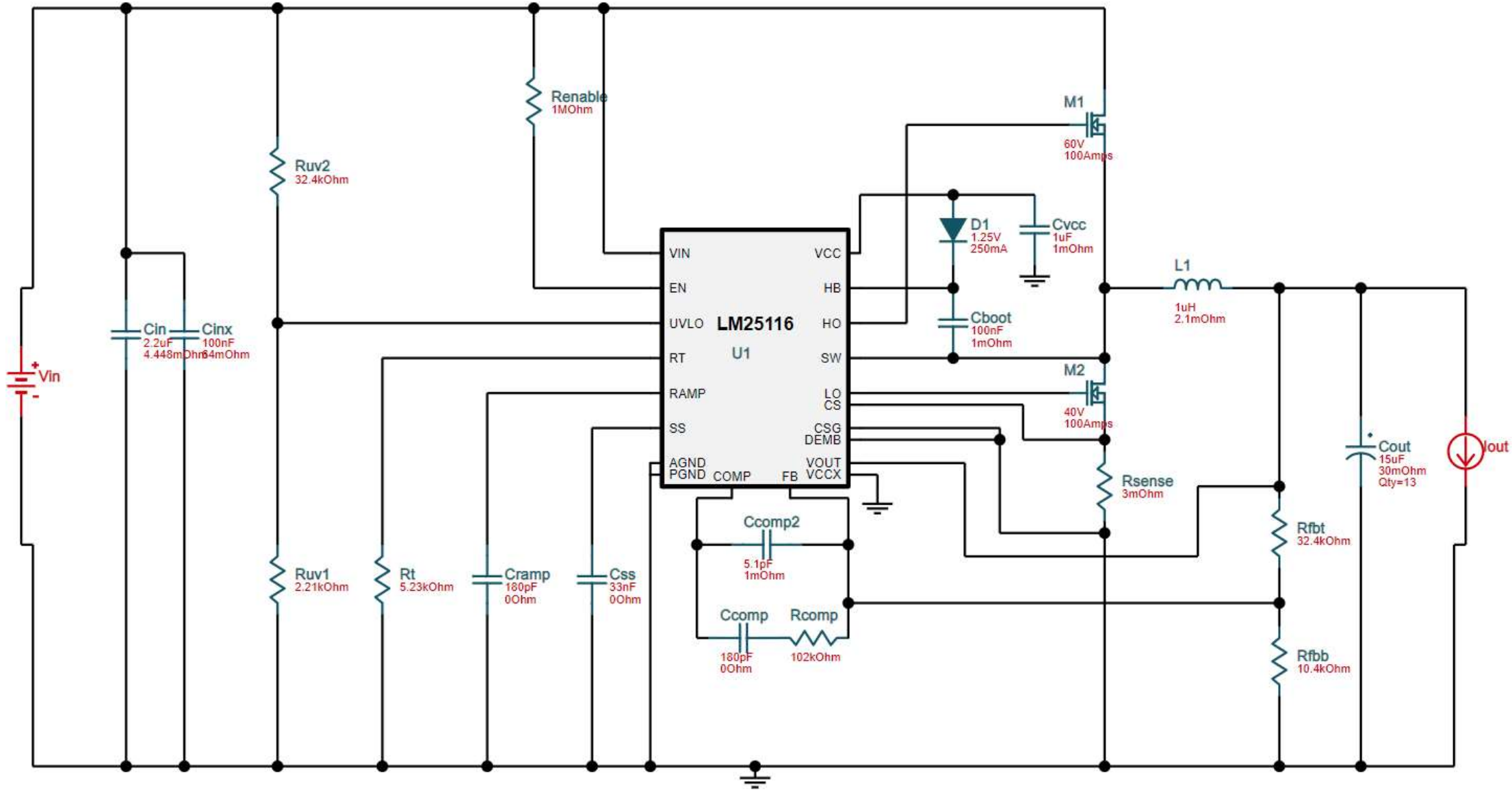
Input: DC 24 V - 30 V, Output: 12 V at 15 A, Temp: 60 °C



Input: DC 24 V - 30 V, Output: 12 V at 10 A, Temp: 60 °C

Part	Manufacturer	Part Number	Quantity	Price (\$)	Footprint (mm ²)	Description
U1	Texas Instruments	LM25116MHX/NOPB	1	1.646	71.4	
M1	Texas Instruments	CSD18540Q5B	1	0.86	56	VdsMax: 60 V IdsMax: 100 Amps
M2	Texas Instruments	CSD18512Q5B	1	0.62	57.51	VdsMax: 40 V IdsMax: 100 Amps
L1	Bourns	SRP1270-2R2M	1	0.72	246.49	L: 2.2 µH DCR: 4.2 mΩ IDC: 22 A
Rfbb	Vishay-Dale	CRCW04029K76FKED	1	0.01	3	Resistance: 9.76 kΩ Tolerance: 1.0% Power: 63 mW
Cboot	MuRata	GRM155R71C104KA88D	1	0.01	3	Cap: 100 nF Total Derated Cap: 100 nF VDC: 16 V ESR: 1 mΩ Package: 0402
Cinx	Kemet	C0805C104M5RACTU	1	0.01	6.75	Cap: 100 nF Total Derated Cap: 100 nF VDC: 50 V ESR: 64 mΩ Package: 0805
Rfbt	Yageo	AC0402FR-0786K6L	1	0.01	3	Resistance: 86.6 kΩ Tolerance: 1.0% Power: 63 mW
Rsense	Stackpole Electronics Inc	CSNL1206FT3L00	1	0.2	10.92	Resistance: 3 mΩ Tolerance: 1.0% Power: 1 W
Rt	Vishay-Dale	CRCW04025K23FKED	1	0.01	3	Resistance: 5.23 kΩ Tolerance: 1.0% Power: 63 mW
Cout	Panasonic	35SVPF82M	2	0.63	106.09	Cap: 82 µF Total Derated Cap: 160 µF VDC: 35 V ESR: 20 mΩ Package: 8x11.9
Renable	Vishay-Dale	CRCW04021M00FKED	1	0.01	3	Resistance: 1 MΩ Tolerance: 1.0% Power: 63 mW
Ruv1	Vishay-Dale	CRCW08052K21FKEA	1	0.01	6.75	Resistance: 2.21 kΩ Tolerance: 1.0% Power: 125 mW
Ccomp2	Kemet	C0805C100M4GACTU	1	0.01	6.75	Cap: 10 pF Total Derated Cap: 10 pF VDC: 16 V ESR: 0 Ω Package: 0805
Cin	MuRata	GRM31CR71H225KA88L	1	0.1	10.92	Cap: 2.2 µF Total Derated Cap: 1.2 µF VDC: 50 V ESR: 4.45 mΩ Package: 1206
Cramp	Taiyo Yuden	UMK105CG271JV-F	1	0.01	3	Cap: 270 pF Total Derated Cap: 270 pF VDC: 50 V ESR: 0 Ω Package: 0402
Css	TDK	CGA4J2C0G1H333J125AA	1	0.09	6.75	Cap: 33 nF Total Derated Cap: 33 nF VDC: 50 V ESR: 0 Ω Package: 0805
Cvcc	Taiyo Yuden	TMK212B7105KG-T	1	0.02	6.75	Cap: 1 µF Total Derated Cap: 1 µF VDC: 25 V ESR: 1 mΩ Package: 0805
D1	Nexperia	BAS516 115	1	0.21	5.13	Type: Switching VRRM: 100 V Io: 250 mA
Rcomp	Vishay-Dale	CRCW0402196KFKED	1	0.01	3	Resistance: 196 kΩ Tolerance: 1.0% Power: 63 mW
Ruv2	Vishay-Dale	CRCW080532K4FKEA	1	0.01	6.75	Resistance: 32.4 kΩ Tolerance: 1.0% Power: 125 mW
Ccomp	Taiyo Yuden	UMK105CG121JV-F	1	0.01	3	Cap: 120 pF Total Derated Cap: 120 pF VDC: 50 V ESR: 0 Ω Package: 0402
Rramp	Vishay-Dale	CRCW0402464KFKED	1	0.01	3	Resistance: 464 kΩ Tolerance: 1.0% Power: 63 mW

Input: DC 24 V - 30 V Output: 5 V at 20 A Temp: 60 °C



Input: DC 24 V - 30 V Output: 5 V at 20 A Temp: 60 °C

Part	Manufacturer	Part Number	Quantity	Price (\$)	Footprint (mm²)	Description
U1	Texas Instruments	LM25116MHX/NOPB	1	1.646	71.4	
M1	Texas Instruments	CSD18540Q5B	1	0.86	56	VdsMax: 60 V IdsMax: 100 Amps
M2	Texas Instruments	CSD18512Q5B	1	0.62	57.51	VdsMax: 40 V IdsMax: 100 Amps
L1	Bourns	SRP1270-1R0M	1	0.72	246.49	L: 1 µH DCR: 2.1 mΩ IDC: 32 A
Rfbb	Yageo	RT0805BRD0710K4L	1	0.06	6.75	Resistance: 10.4 kΩ Tolerance: 0.1% Power: 125 mW
Cboot	MuRata	GRM155R71C104KA88D	1	0.01	3	Cap: 100 nF Total Derated Cap: 100 nF VDC: 16 V ESR: 1 mΩ Package: 0402
Cinx	Kemet	C0805C104M5RACTU	1	0.01	6.75	Cap: 100 nF Total Derated Cap: 100 nF VDC: 50 V ESR: 64 mΩ Package: 0805
Rfbt	Vishay-Dale	CRCW040232K4FKED	1	0.01	3	Resistance: 32.4 kΩ Tolerance: 1.0% Power: 63 mW
Rsense	Stackpole Electronics Inc	CSNL1206FT3L00	1	0.2	10.92	Resistance: 3 mΩ Tolerance: 1.0% Power: 1 W
Rt	Vishay-Dale	CRCW04025K23FKED	1	0.01	3	Resistance: 5.23 kΩ Tolerance: 1.0% Power: 63 mW
Cout	Panasonic	25SVPG15M	13	0.4	53.29	Cap: 15 µF Total Derated Cap: 200 µF VDC: 25 V ESR: 30 mΩ Package: 5x4.4
Renable	Vishay-Dale	CRCW04021M00FKED	1	0.01	3	Resistance: 1 MΩ Tolerance: 1.0% Power: 63 mW
Ruv1	Vishay-Dale	CRCW08052K21FKEA	1	0.01	6.75	Resistance: 2.21 kΩ Tolerance: 1.0% Power: 125 mW
Ccomp2	MuRata	GRM1555C1E5R1CA01D	1	0.01	3	Cap: 5.1 pF Total Derated Cap: 5.1 pF VDC: 25 V ESR: 1 mΩ Package: 0402
Cin	MuRata	GRM31CR71H225KA88L	1	0.1	10.92	Cap: 2.2 µF Total Derated Cap: 1.2 µF VDC: 50 V ESR: 4.45 mΩ Package: 1206
Cramp	Taiyo Yuden	UMK105CG181JV-F	1	0.01	3	Cap: 180 pF Total Derated Cap: 180 pF VDC: 50 V ESR: 0 Ω Package: 0402
Css	TDK	CGA4J2C0G1H333J125AA	1	0.09	6.75	Cap: 33 nF Total Derated Cap: 33 nF VDC: 50 V ESR: 0 Ω Package: 0805
Cvcc	Taiyo Yuden	TMK212B7105KG-T	1	0.02	6.75	Cap: 1 µF Total Derated Cap: 1 µF VDC: 25 V ESR: 1 mΩ Package: 0805
D1	Nexperia	BAS516 115	1	0.21	5.13	Type: Switching VRRM: 100 V Io: 250 mA
Rcomp	Vishay-Dale	CRCW0402102KFKED	1	0.01	3	Resistance: 102 kΩ Tolerance: 1.0% Power: 63 mW
Ruv2	Vishay-Dale	CRCW080532K4FKEA	1	0.01	6.75	Resistance: 32.4 kΩ Tolerance: 1.0% Power: 125 mW
Ccomp	Taiyo Yuden	UMK105CG181JV-F	1	0.01	3	Cap: 180 pF Total Derated Cap: 180 pF VDC: 50 V ESR: 0 Ω Package: 0402
Rramp	Vishay-Dale	CRCW040210M0FKED	1	0.01	3	Resistance: 10 MΩ Tolerance: 1.0% Power: 63 mW