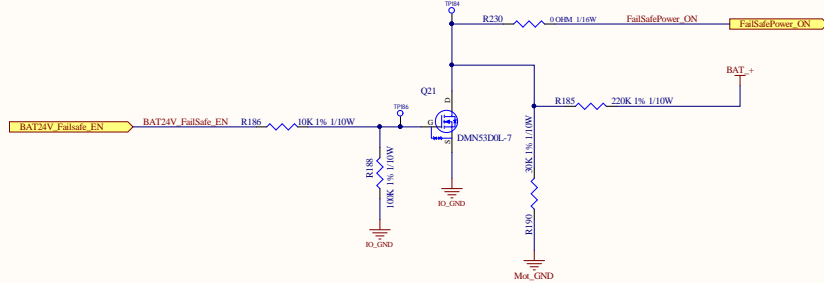
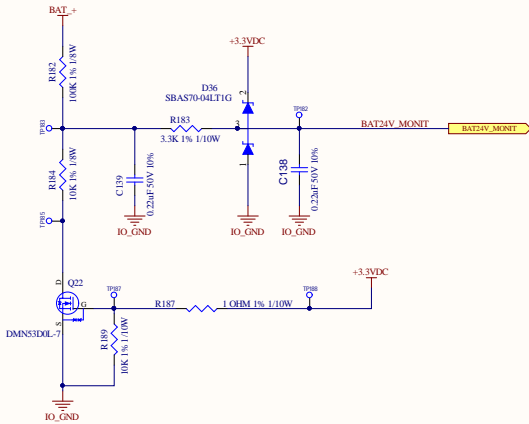


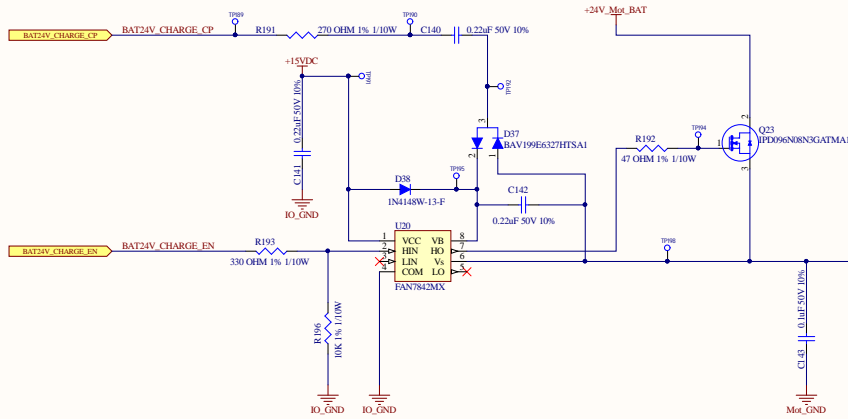
FAIL-SAFE POWER ON/OFF



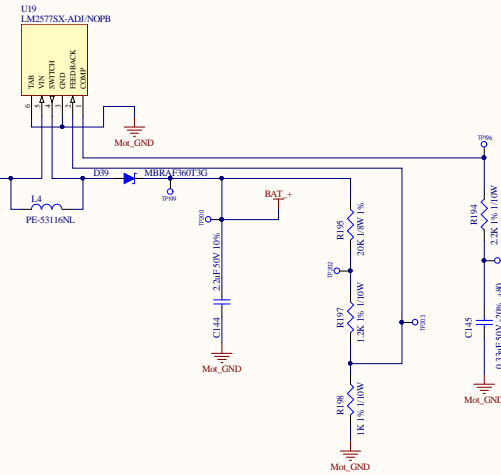
BATTERY MONITORING



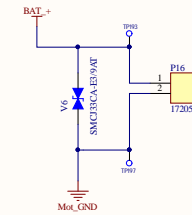
CHARGING ON/OFF



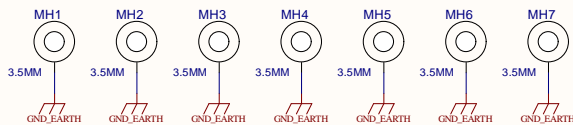
CHARGE CONTROLLER



BATTERY INPUT



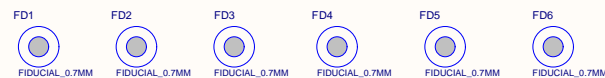
MOUNTING HOLES FOR IO BOARD



MOUNTING HOLES FOR SF-PANEL BOARD



FIDUCIALS



This document is the proprietary information of ACEVIN SOLUTIONS. ACEVIN SOLUTIONS retains all patent, copyright and trademark rights related to the specific design. This information shall not be disclosed to any person or entity without ACEVIN SOLUTIONS prior written consent.

TITLE:
IO Controller

ACEVIN SOLUTIONS

SHEET: 11_BackupBatterySchDoc

| SIZE | NUMBER | REVISION |
|------|---------------|----------|
| B | 105-149700-01 | 3.0 |

DRAWN BY: SZ DATE: 08/17/2022 SHEET 11 OF 12