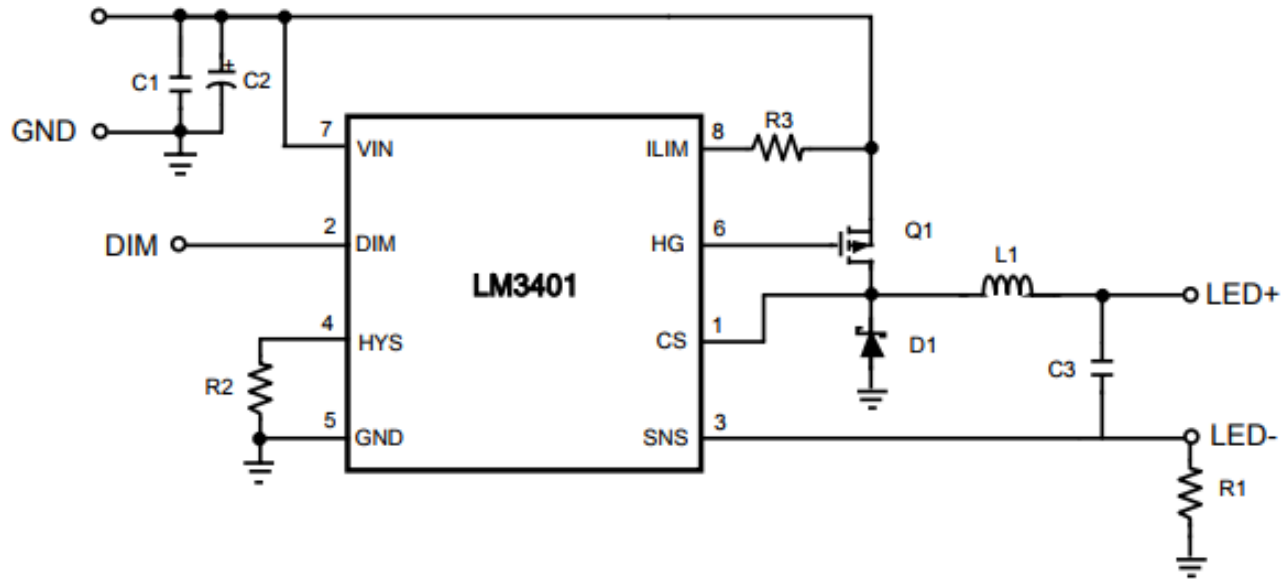


Using circuit



BOM

Ref. #	Description	Part Number	Size	Vendor
IC1	LED Controller	LM3401	VSSOP-8	Texas Instruments
L1	5.2 μ H, 5A, Inductor	MSS1038-522NL	10.2 × 10.4	Coilcraft
Q1	20V, 4A, 25 m Ω , PFET	SI3493BDV	SO-6	Vishay
D1	30V, 4A, Schottky	SSB43L	SMB	Vishay
C1	25V, 10 μ F, ceramic	C3225X5R1E106K	1210	TDK
C2	50V, 33 μ F, electrolytic	EEEHA1H330XP	6.6 × 6.6	Panasonic
C3	25V, 220 pF, ceramic	-	0805	-
R1	0.0576 Ω , 1%, 1W	WSL2512R0576F	2512	Vishay
R2	4.7 k Ω , 1%	-	0805	-
R3	40 k Ω , 1%	-	0805	-

