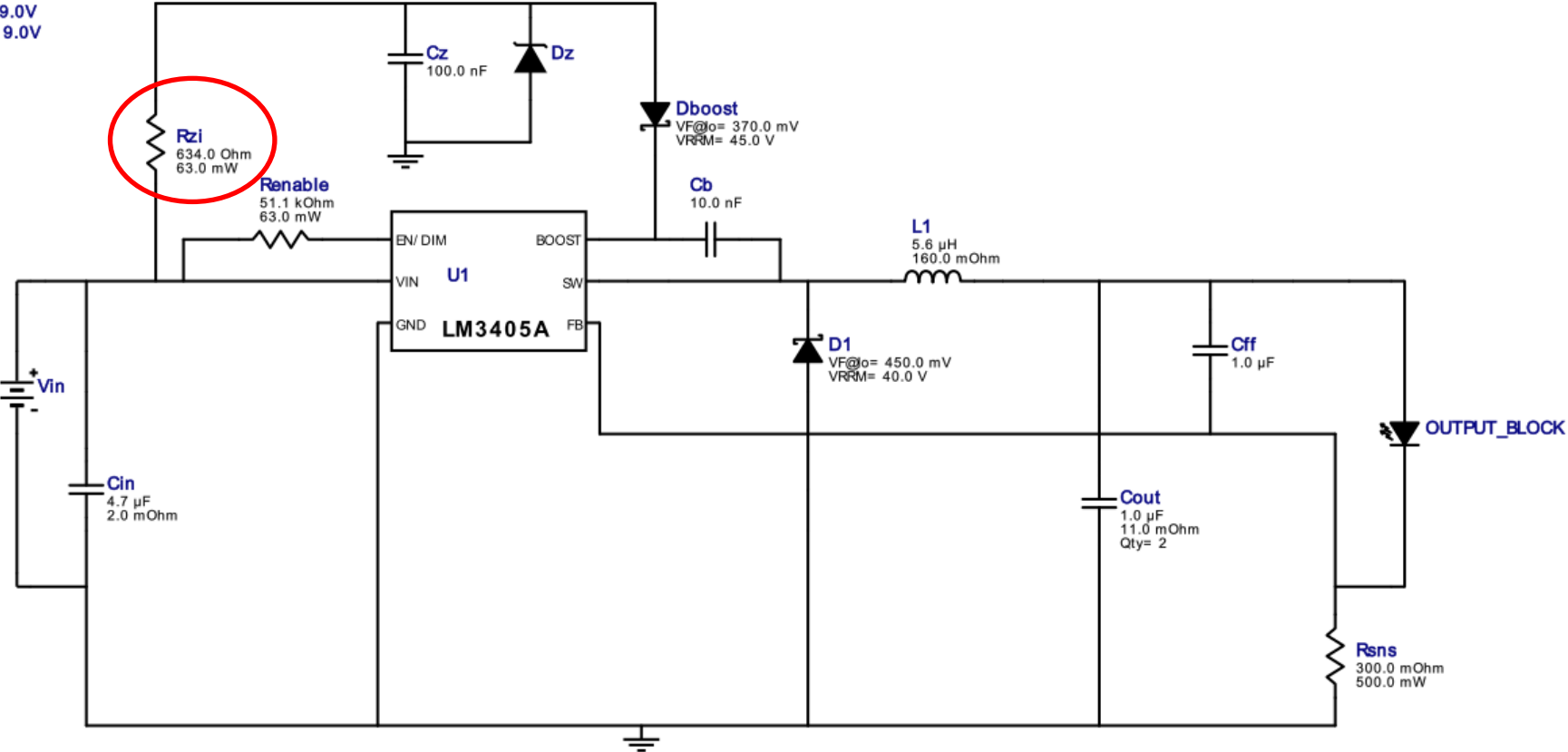


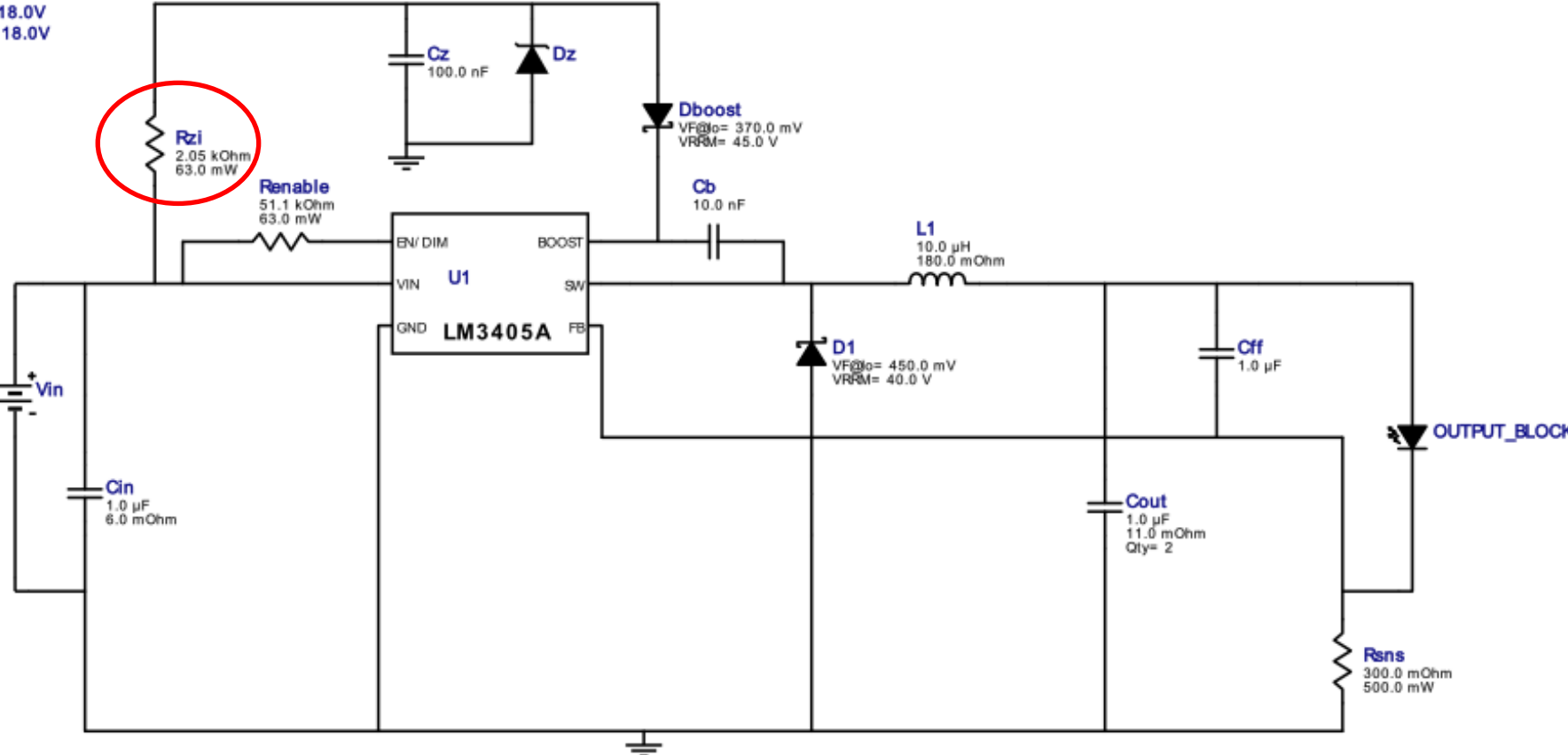
Vin=9V, Rzi=634Ω

VinMin = 9.0V
VinMax = 9.0V



$V_{in}=18V, R_{zi}=2.05k\Omega$

$V_{inMin} = 18.0V$
 $V_{inMax} = 18.0V$



$V_{in}=9\sim 18V, R_{zi}=2.05k\Omega$

$V_{inMin} = 9.0V$
 $V_{inMax} = 18.0V$

