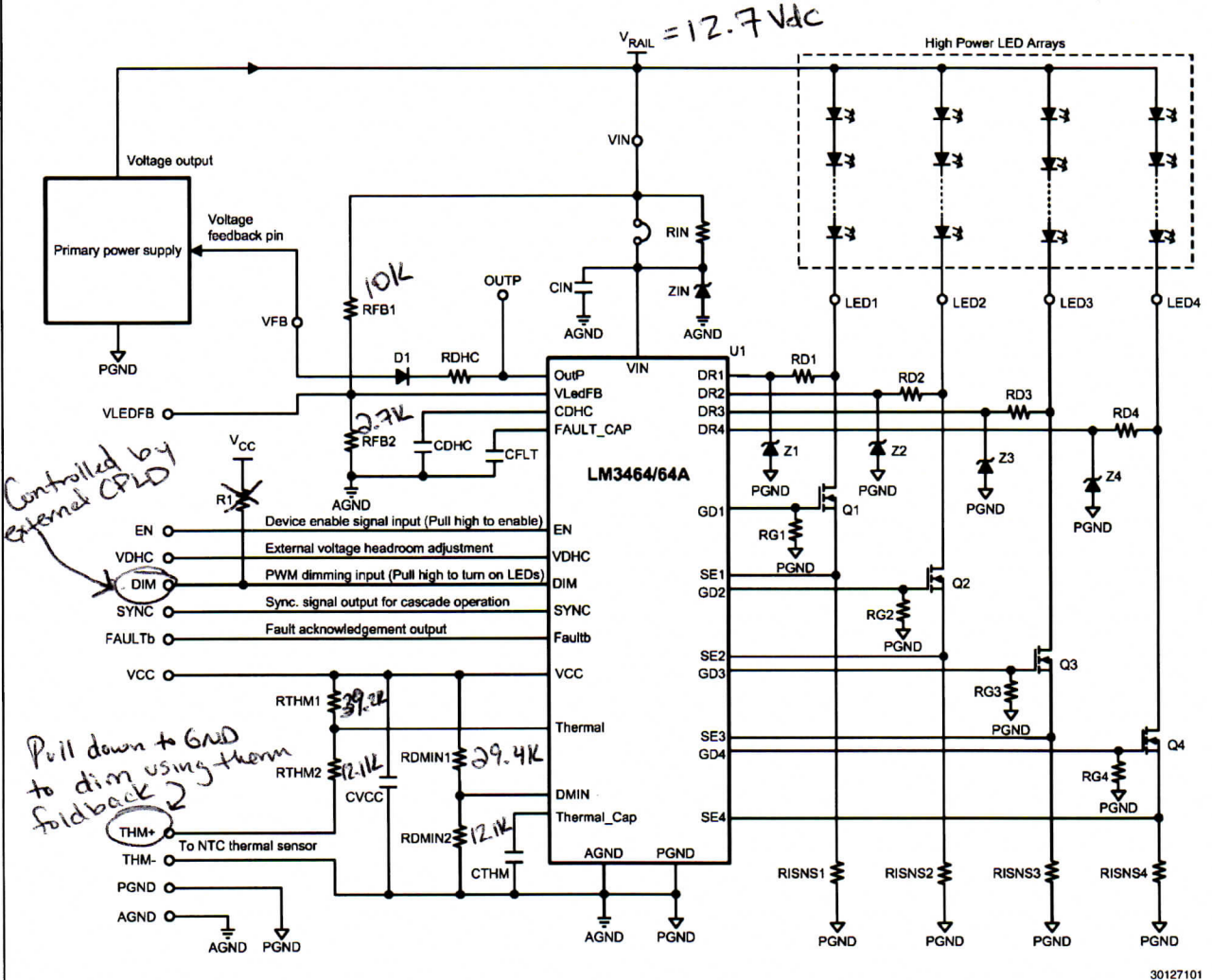


# Evaluation Board Schematic



30127101

FIGURE 1. LM3464A Evaluation Board Schematic