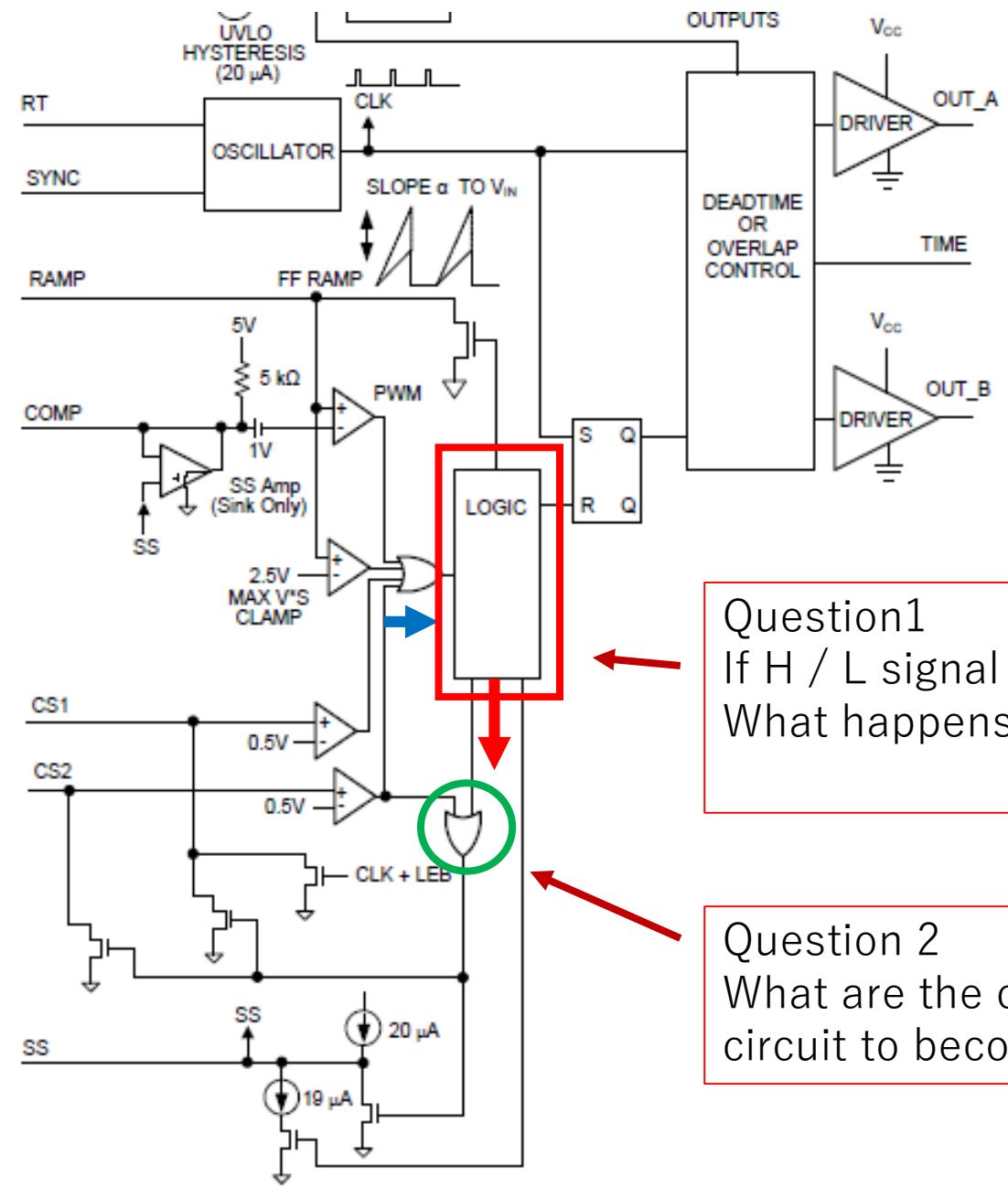


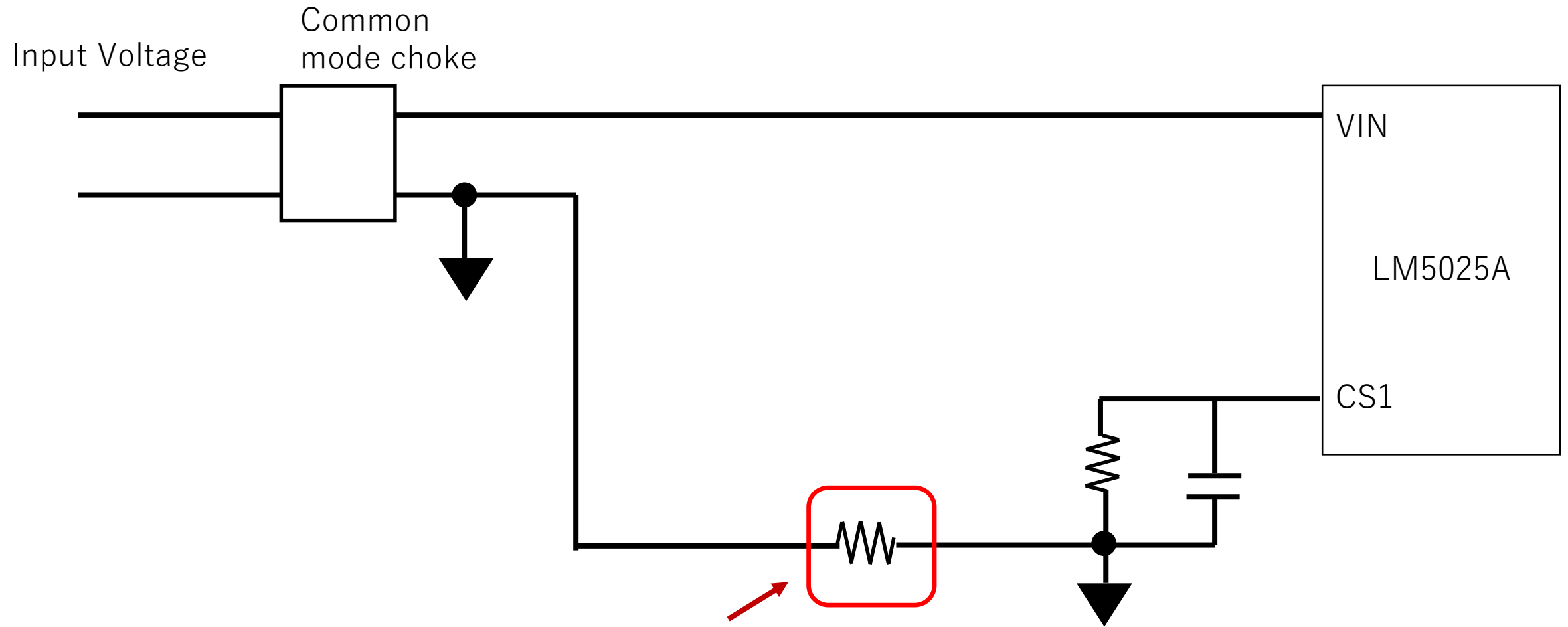
LM5025A Function Block Diagram



Question 1
 If H / L signal is entered in LOGIC, What happens to the H / L signal from LOGIC?

Question 2
 What are the conditions for the OR circuit to become H / L?

LM5025A schematic diagram



Question3

I want to check the voltage generated by the resistor at power-on with the CS1 pin, but the voltage value is 0V.

What is the cause?