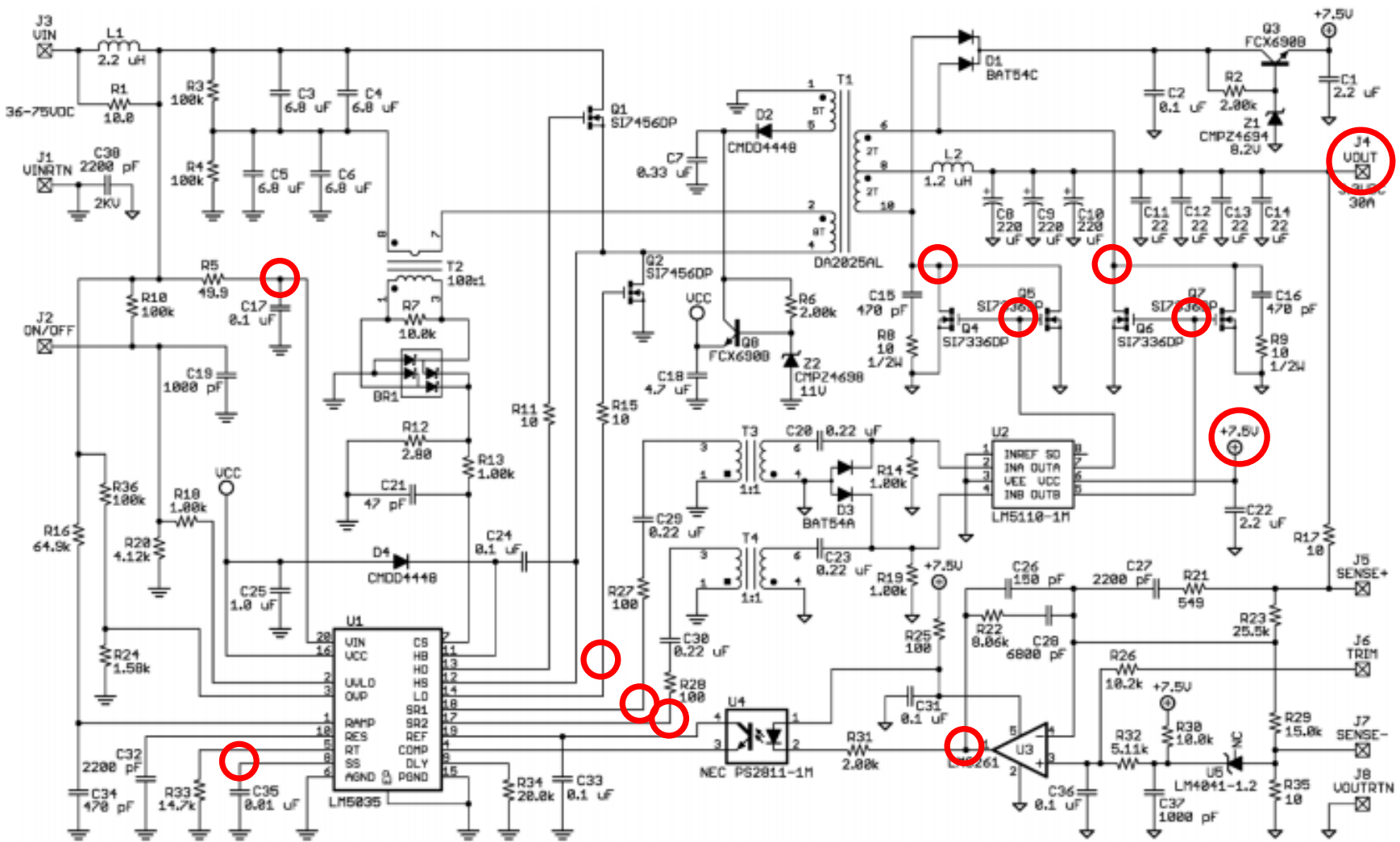


Figure 9. Application Circuit: Input 36 to 75V, Output 3.3V, 30A



Picture #1: Vin, Vout, SR1 pin, VGS of Q4/Q5

Picture #2: Vin, Vout, SR1 pin, VDS of Q4/Q5

Picture #3: Vin, Vout, SR2 pin, VGS of Q6/Q7

Picture #4: Vin, Vout, SR2 pin, VDS of Q6/Q7

Picture #5: Vin, Vout, SS pin of U1, LO pin of U1

Picture #6: Vin, Vout, Output of U3 (pin 1), 7.5Vdc from U2 (pin #6)