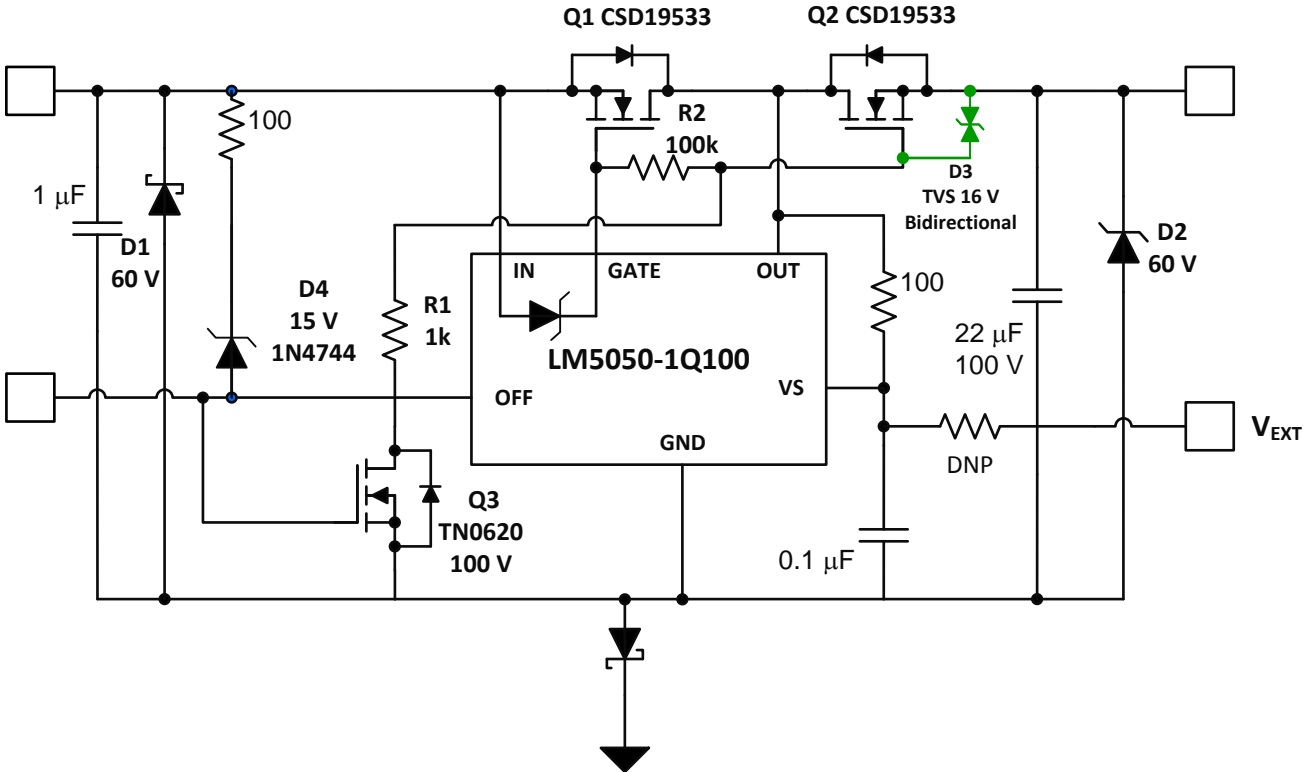


Test Schematic



BOM Options

- D4 – BZX84C16
- Q1, Q2 – CSD17579Q3 30 V, 35 A, 10.2 mOhm