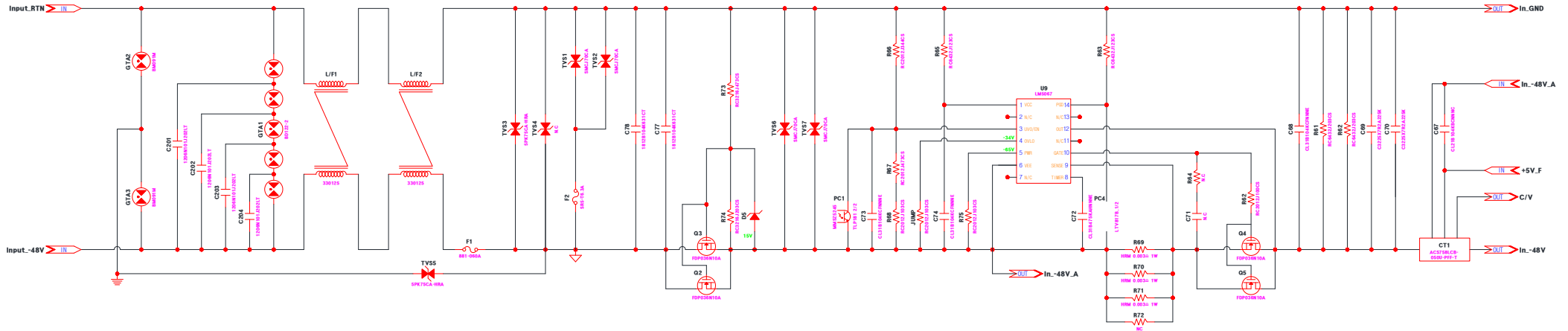
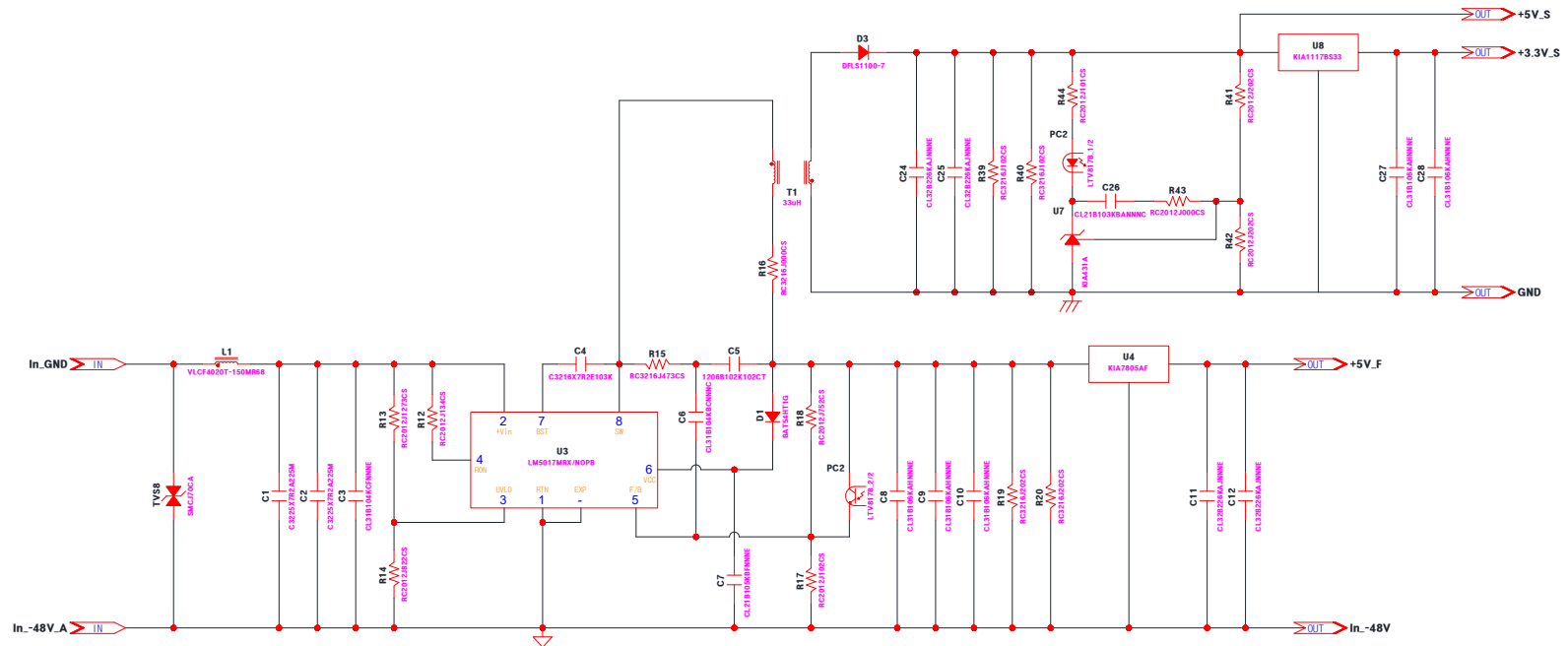


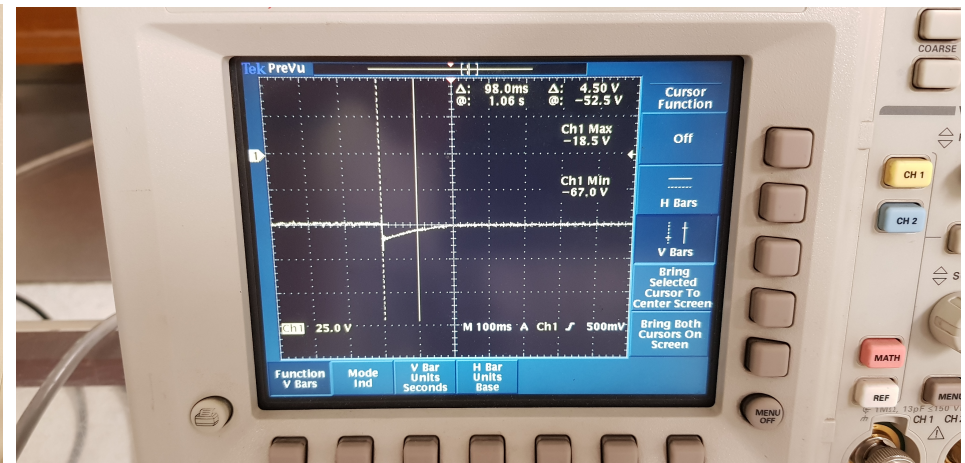
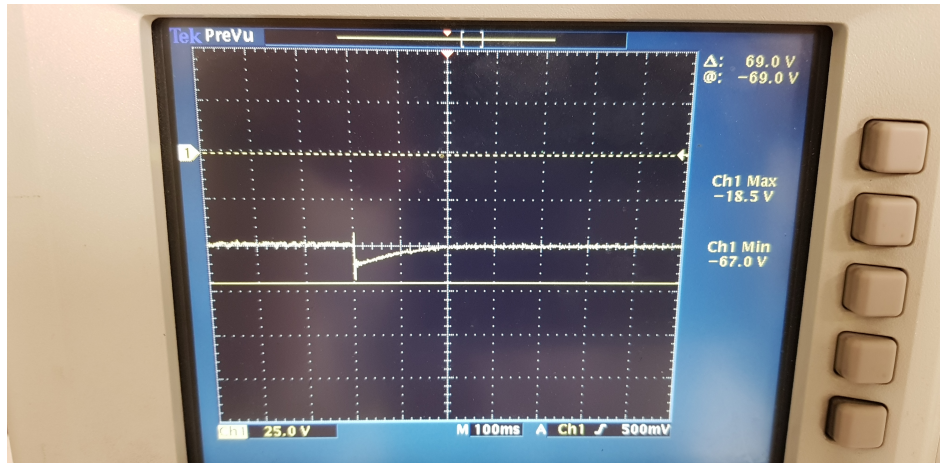
LM5067 Schematic



LM5017 Schematic

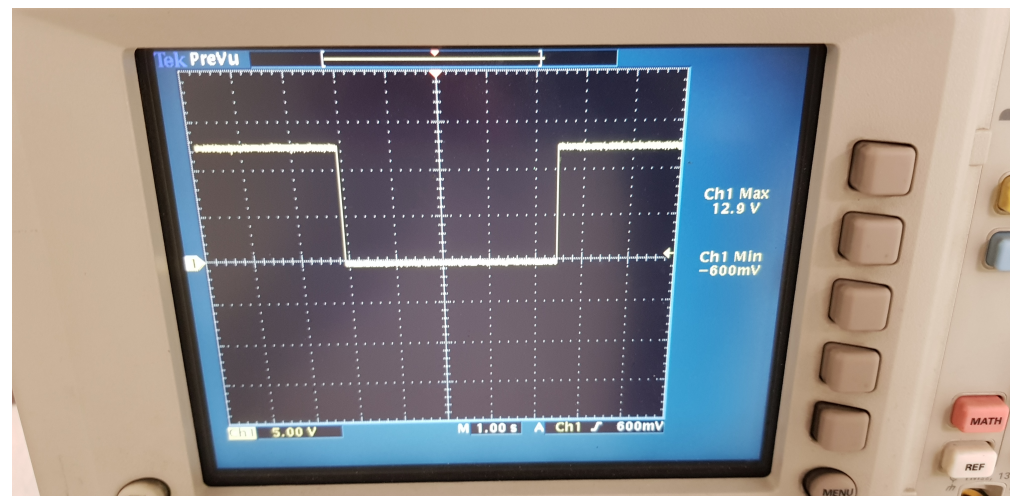


Surge 5KV / 2KA (2Ω) Waveform

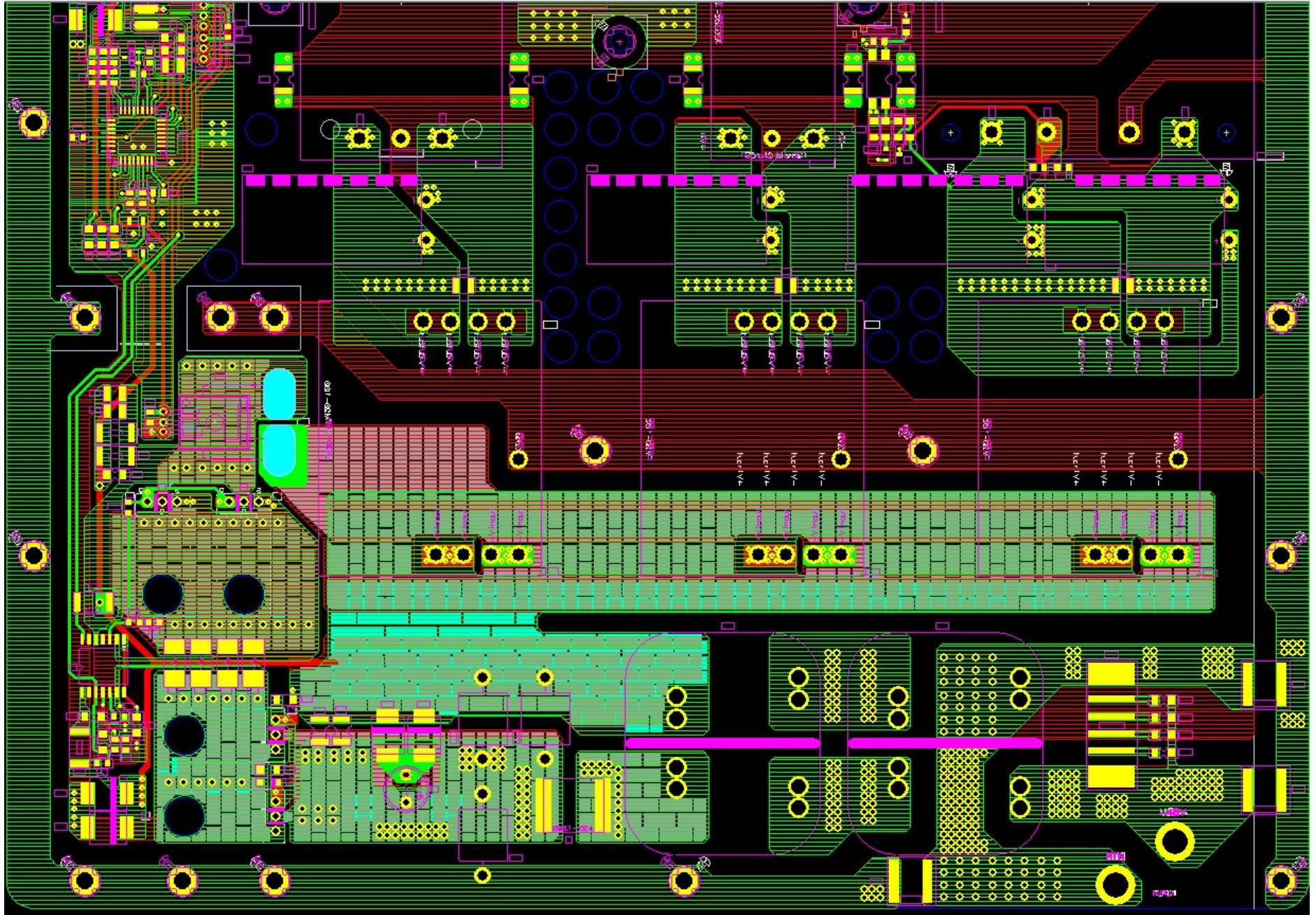


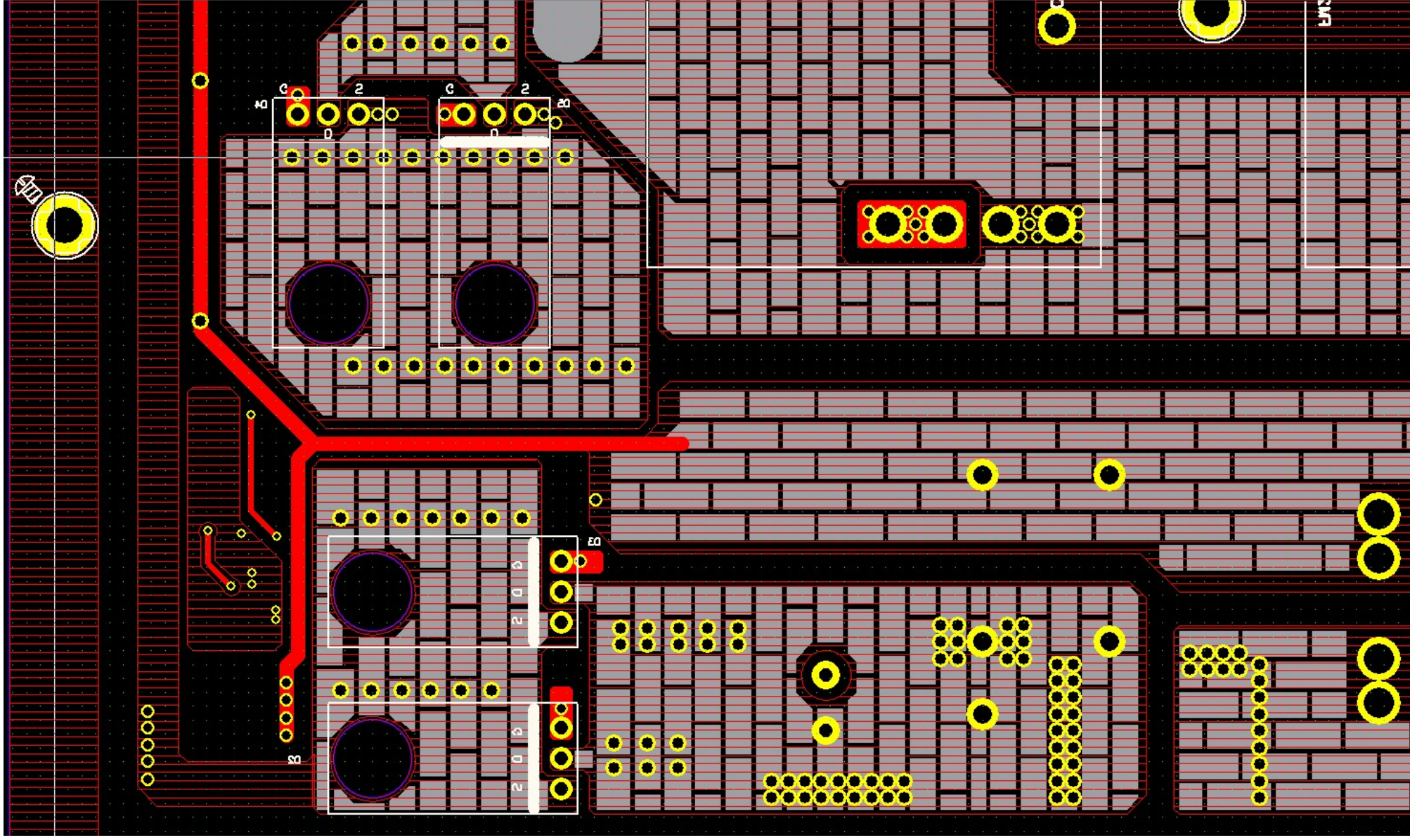
-48V Input Voltage

LM5067 Gate Waveform



LM5067-PCB





LM5017-PCB

