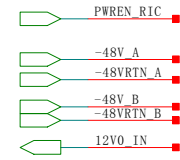
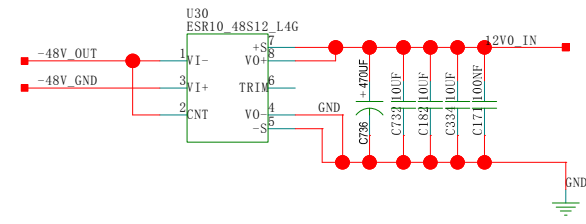
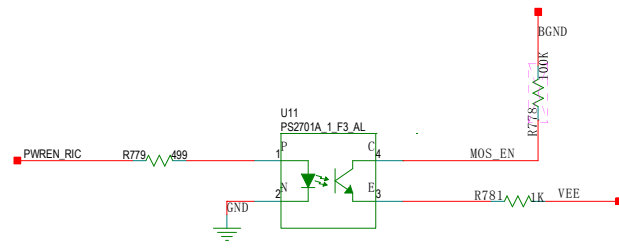
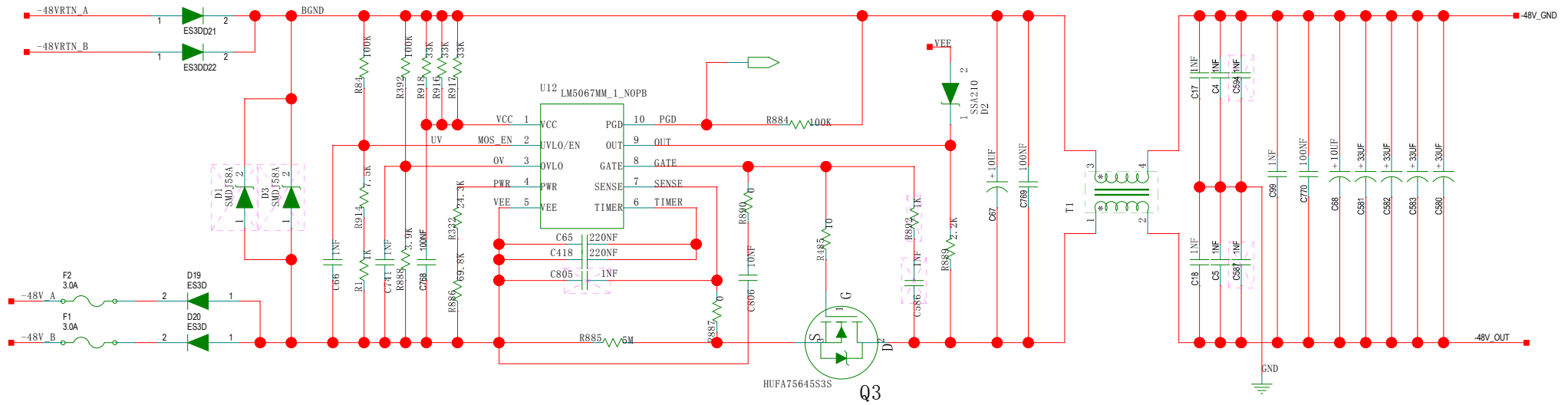


-48V POWER

Suit for $V_{in(max)}=58V$, $I_{out(max)}=4A$ circuit, $C_{out(max)}=440\mu F$



The type and specification of the components refer to the BOM

| | | | |
|----------|----------------|-------------------|----------------|
| DESIGNED | XUCHUAN 04122 | RTU1HR2CLGQ | HH3C0302A4NCDL |
| REVIEWED | DINGJIAN 05823 | | |
| | | SHEET 48 OF 51 | |
| | | H3C TECH CO.,LTD. | |

REV QTY ECO NO DATE