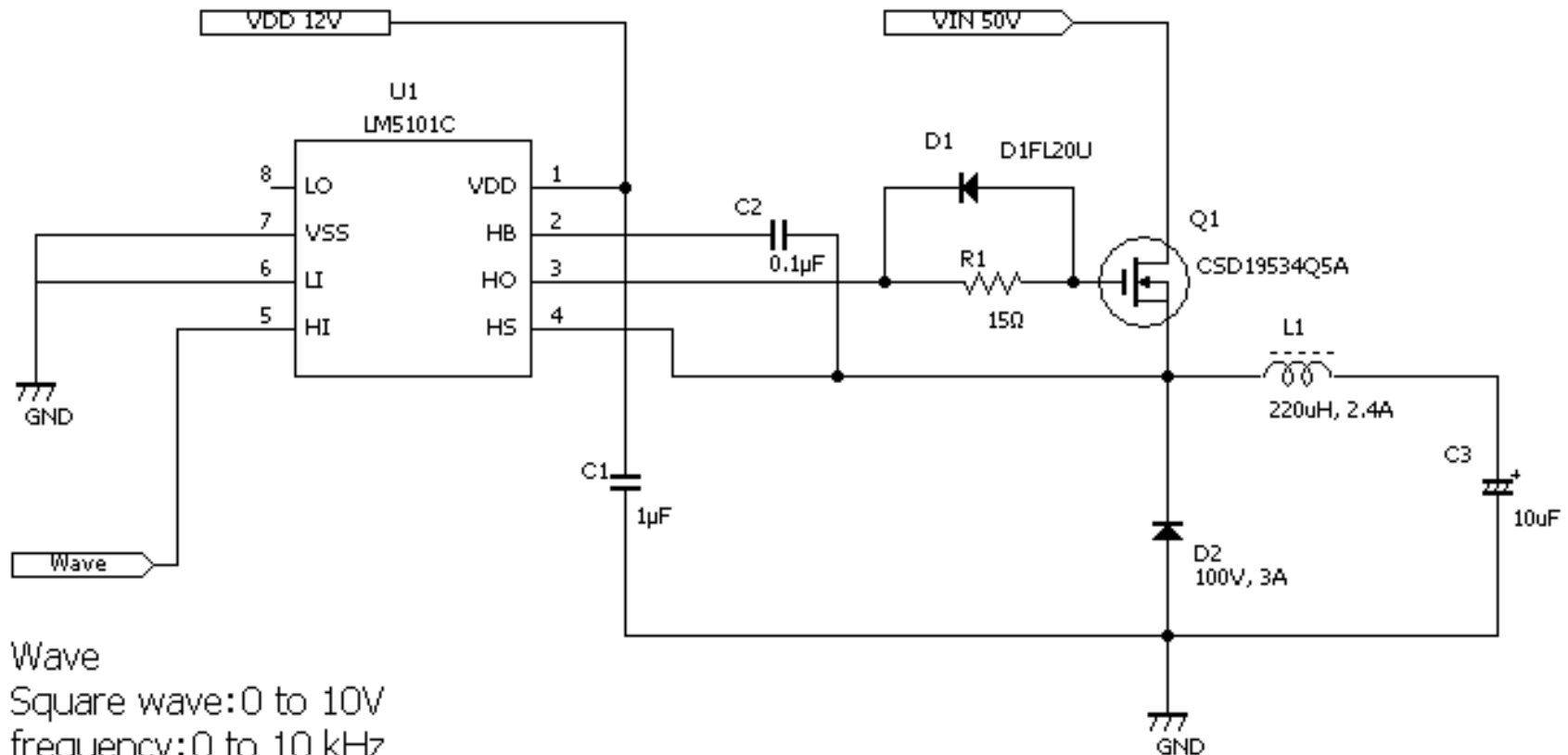


# LM501C circuit diagram



Wave  
Square wave: 0 to 10V  
frequency: 0 to 10 kHz  
Duty 50%

Low side driver don't use, but only High side driver use.  
**Is there a problem with this circuit diagram?**

**When the power was turned on  
the IC raised smoke, short circuit between D and S of FET.**