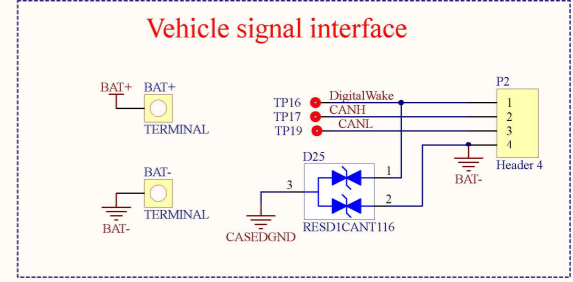
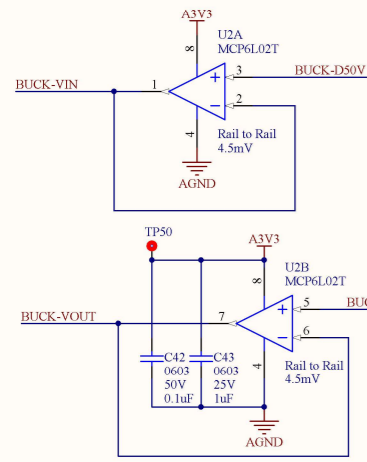
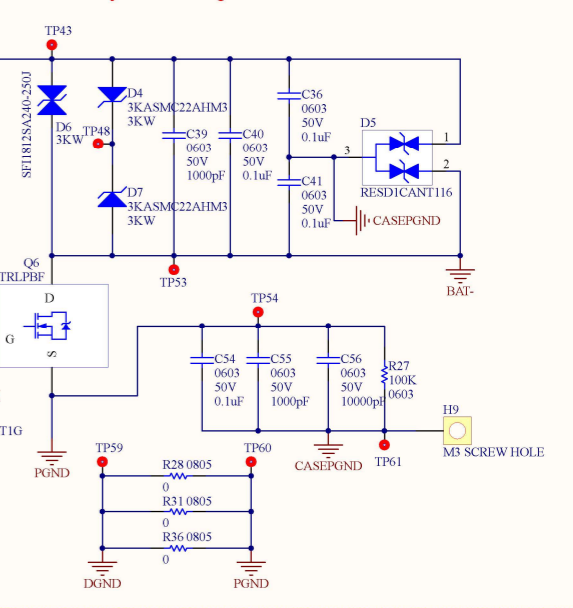


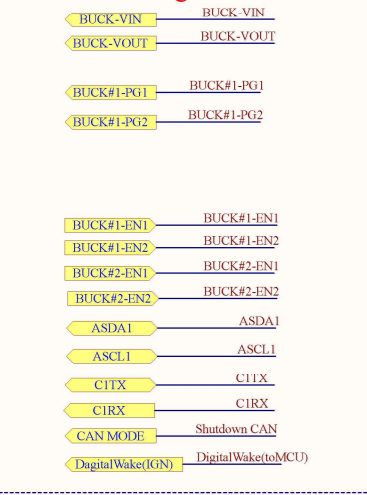
BUCK Vin and Vout Detection



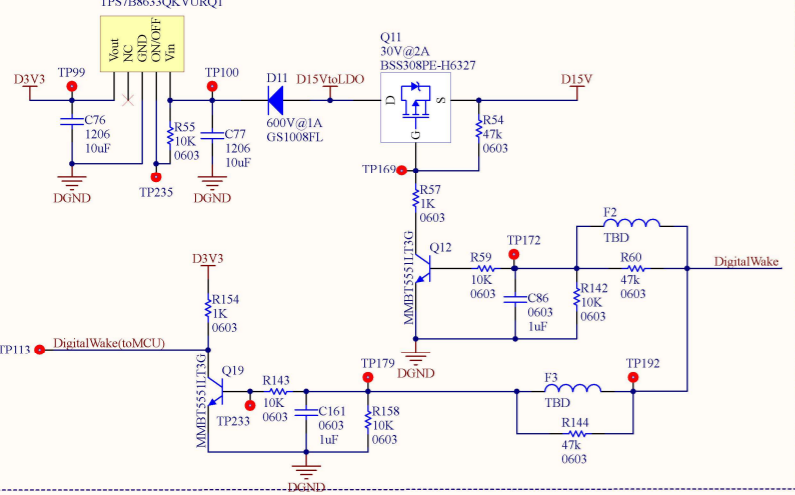
Battery reverse protection



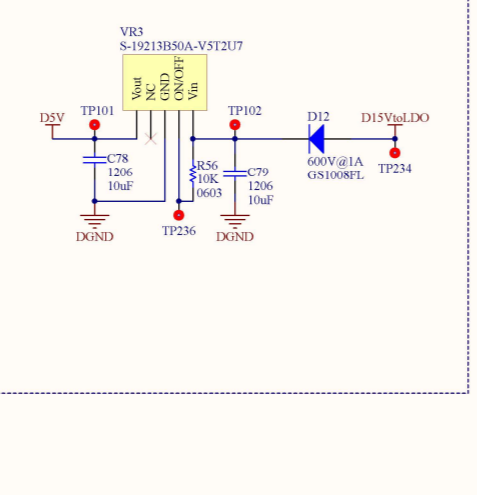
To MCU Signal Port



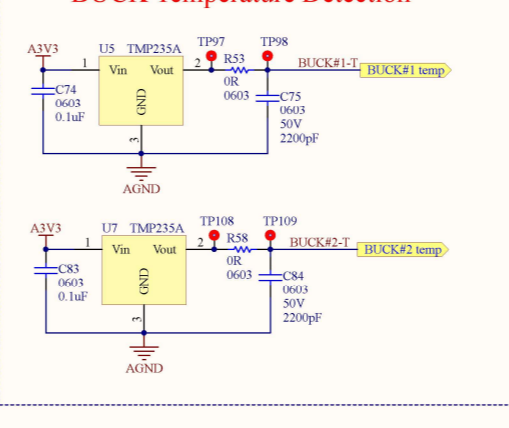
15V To 3V3 LDO



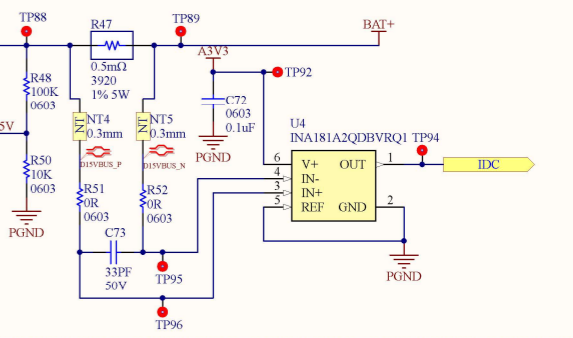
15V To 5V LDO



BUCK Temperature Detection



VD15V and IDC Current Detection



CAN BUS TRANSCEIVER

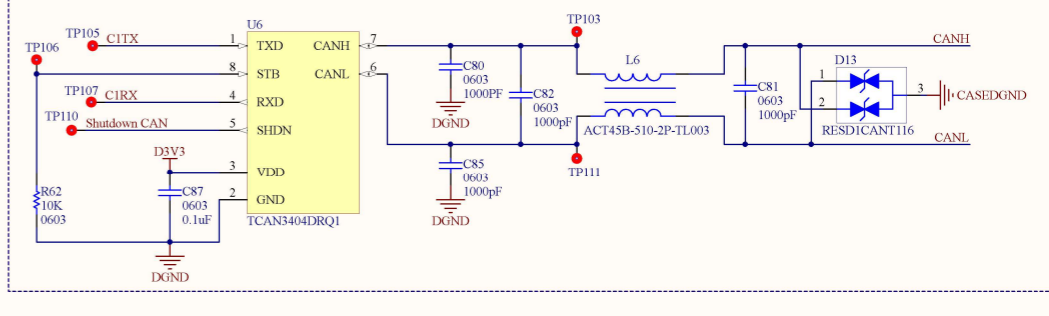


Table 7-5. Configuration Modes for Single-Output Multiphase Operation

R _{DRSS}	PRIMARY, SECONDARY	DRSS	INDEPENDENT OR INTERLEAVED OUTPUTS
41.2kΩ	Primary	OFF	Interleaved
54.9kΩ	Primary	DRSS1	Interleaved
71.8kΩ	Primary	DRSS2	Interleaved
90.9kΩ	Secondary	N/A	Interleaved