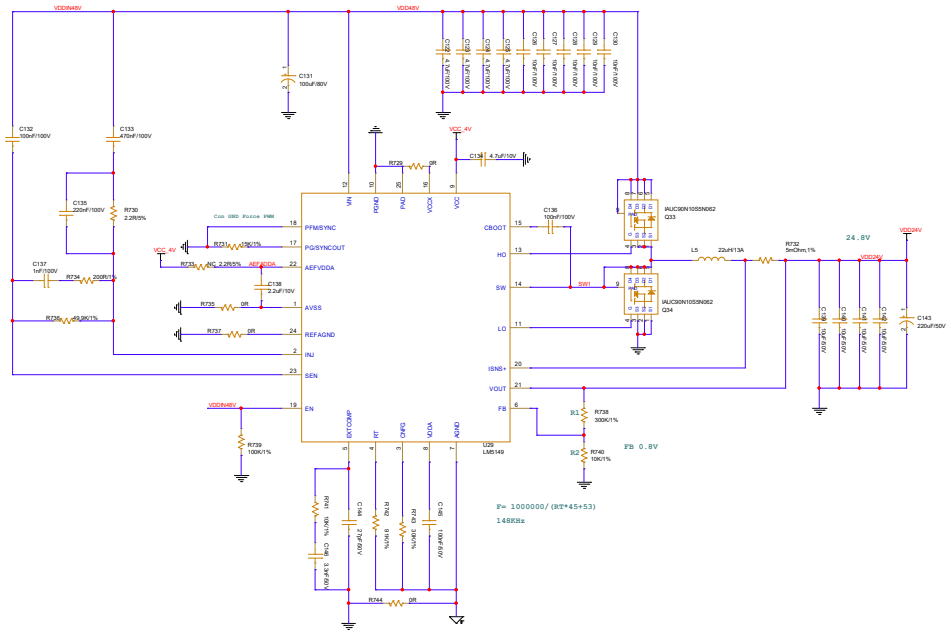


DCDC@48V TRS 24V



Rev	1	Issue
Doc	DCDC@48V TRS 24V	Document Number
Rev	1	Issue
Doc	DCDC@48V TRS 24V	Document Number
Rev	1	Issue
Doc	DCDC@48V TRS 24V	Document Number