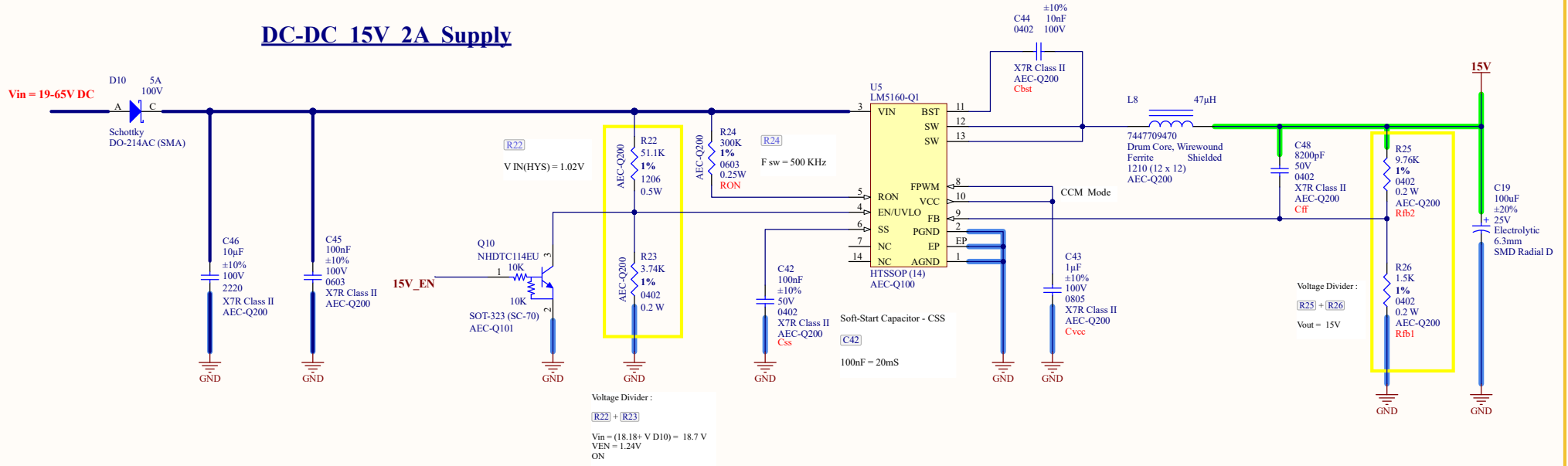


DC-DC 15V 2A Supply



Title		
Size	Number	Revision
A3		
Date:	10/09/2023	Sheet of
File:	Sheet2.SchDoc	Drawn By: