

Figure 1 LAYOUT TOP/BOTTOM

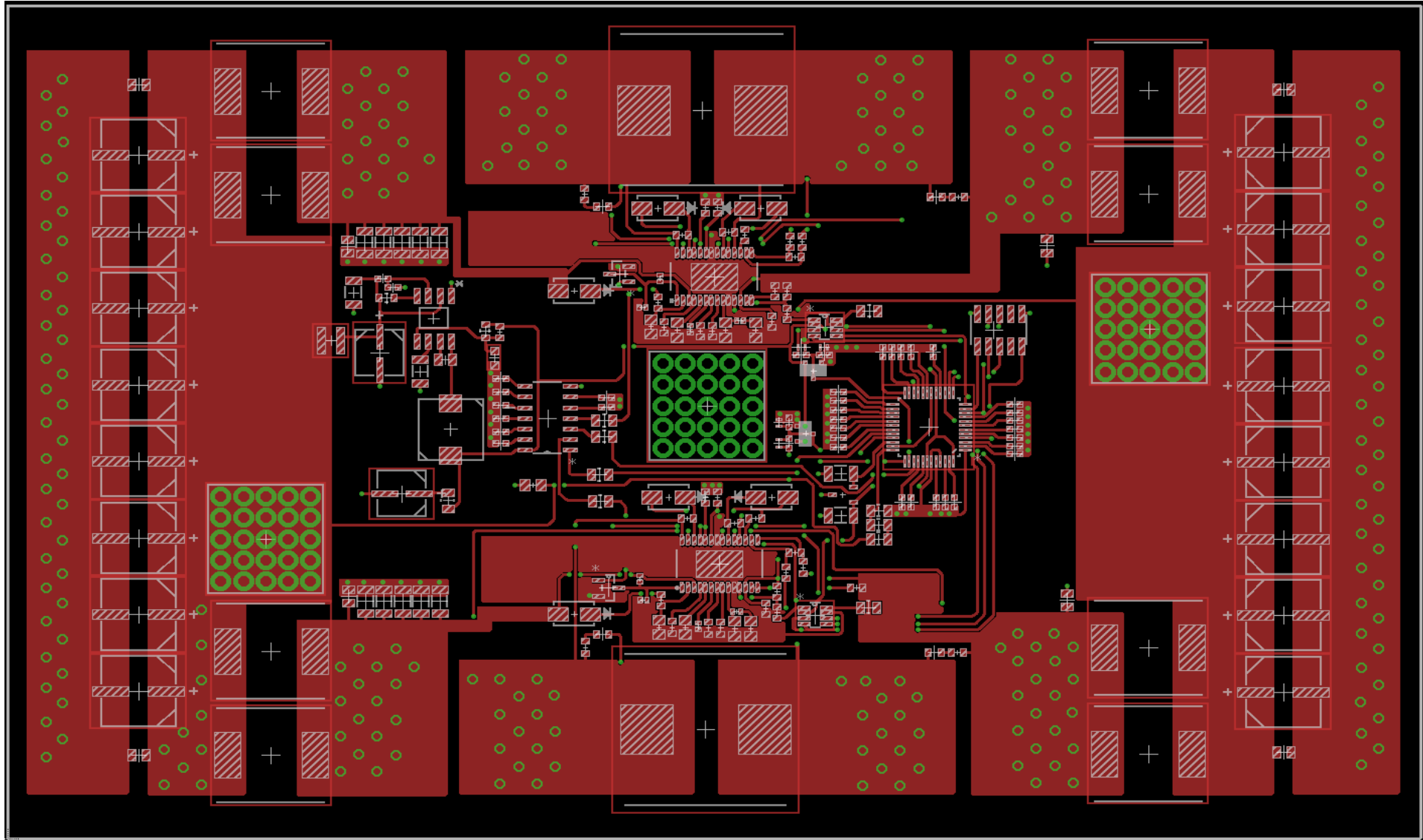


Figure 2 Topside

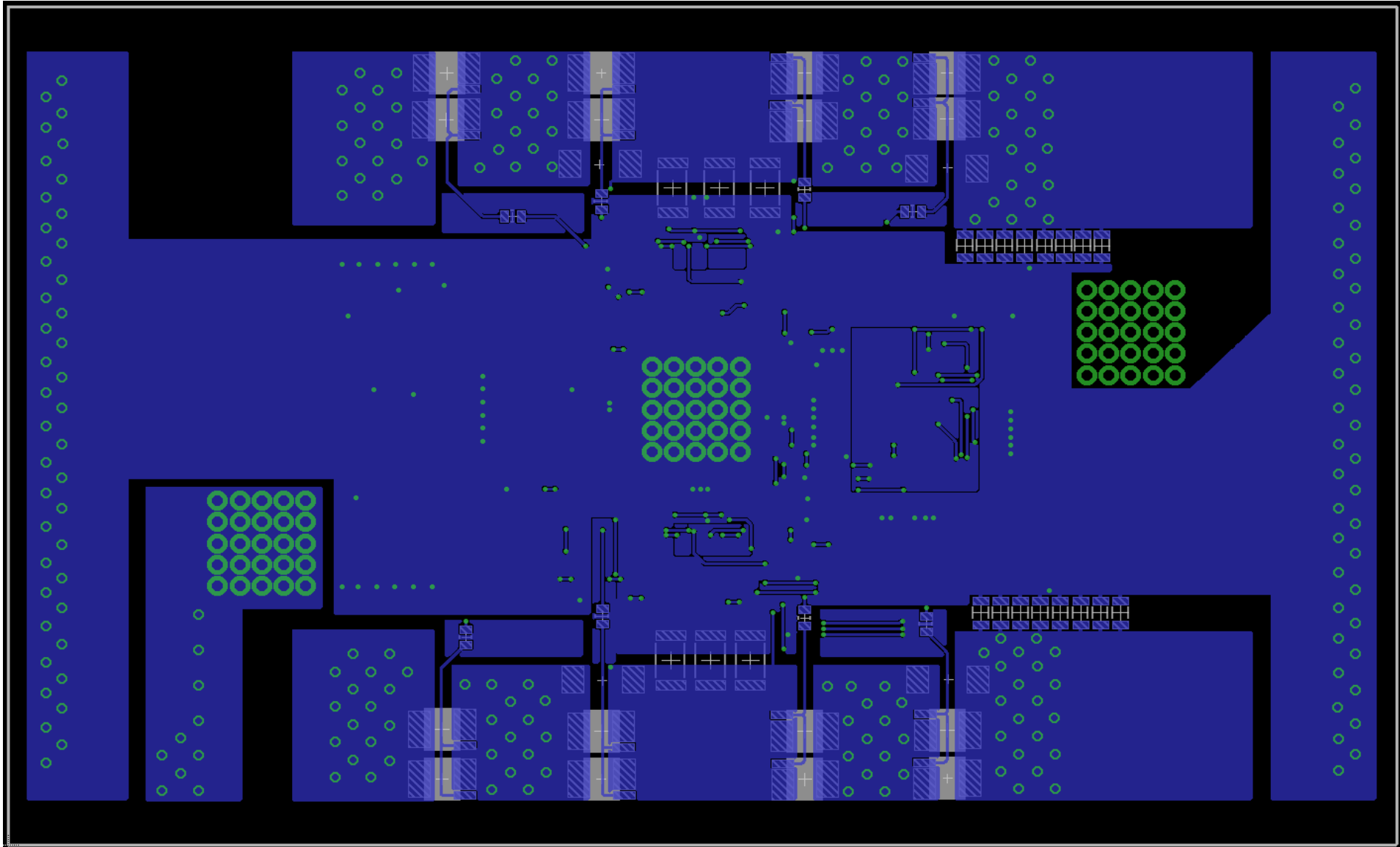


Figure 3Bottomside

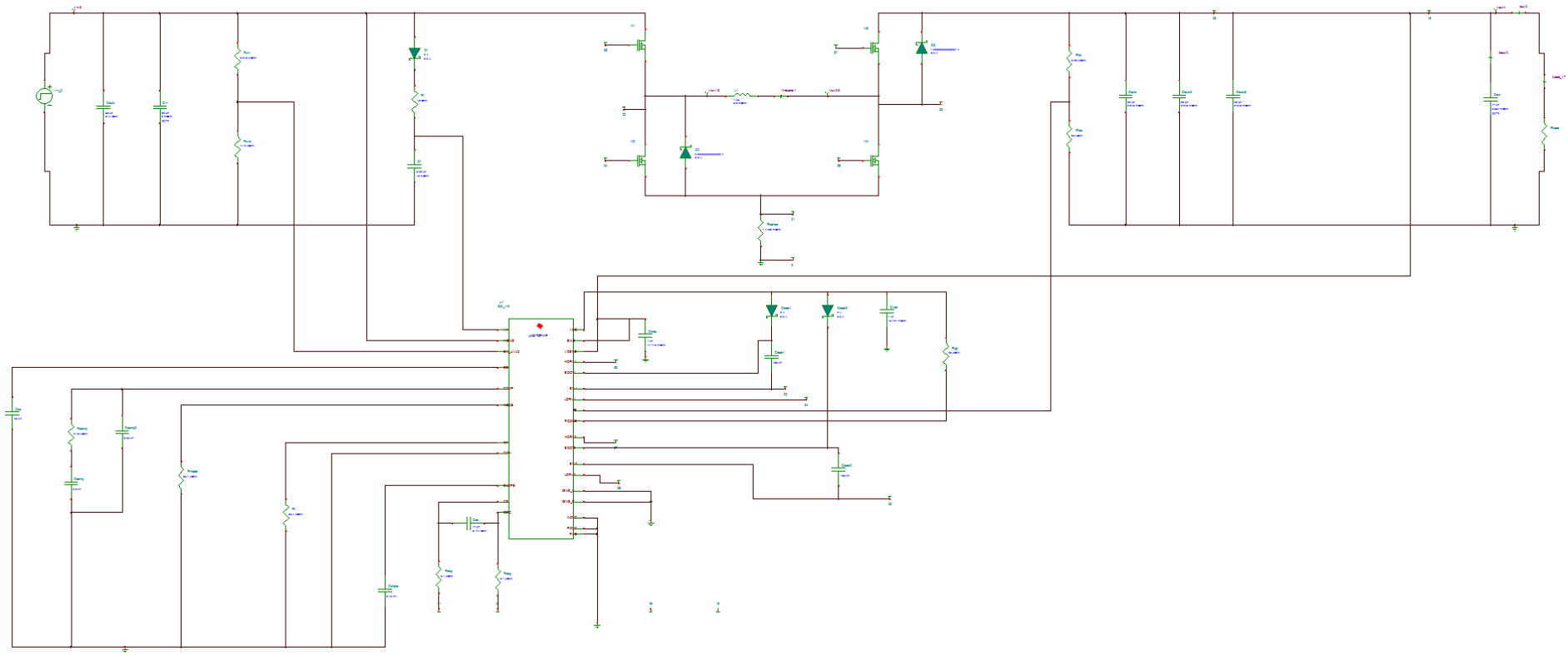


Figure 4 Schematic complete

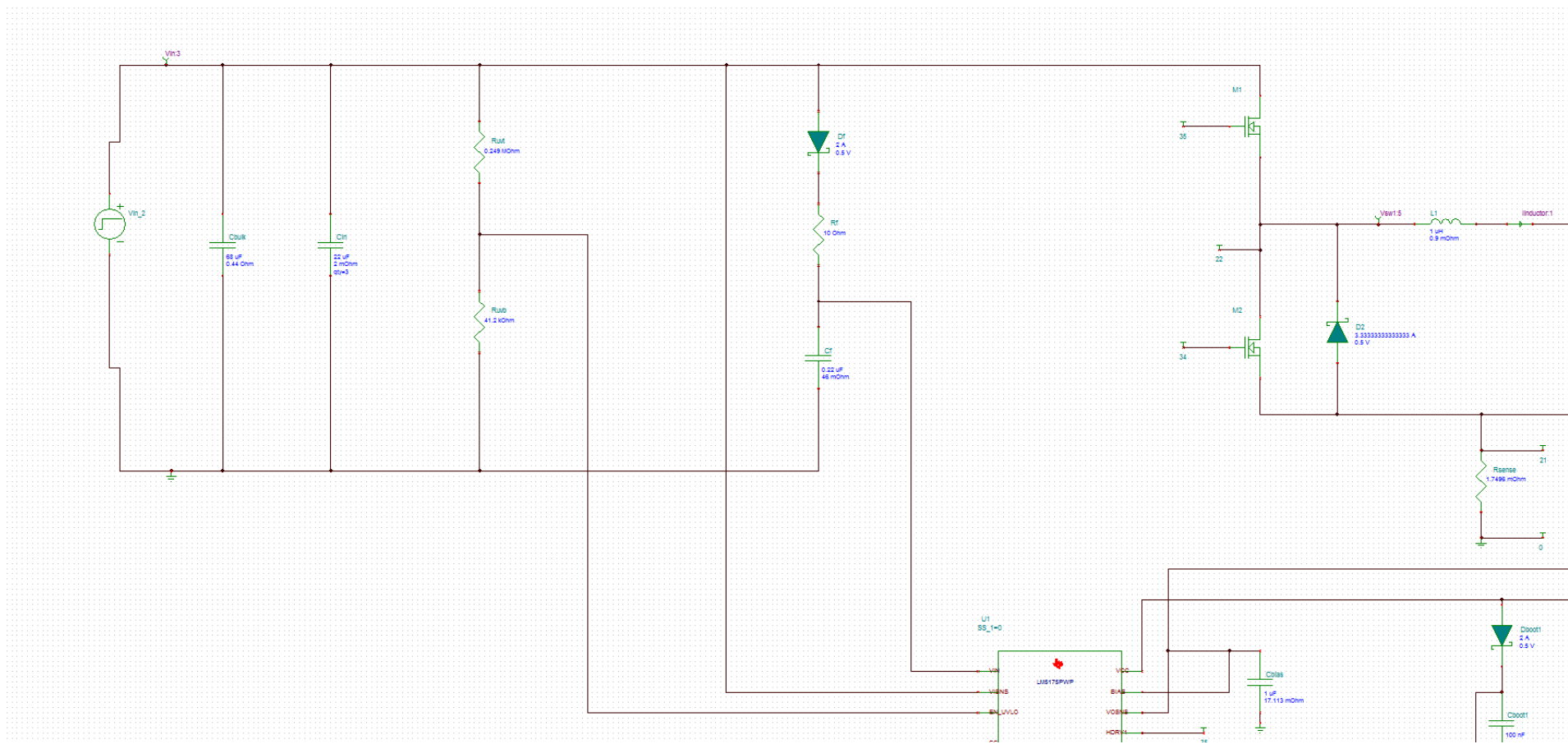


Figure 5 Schematic part 1

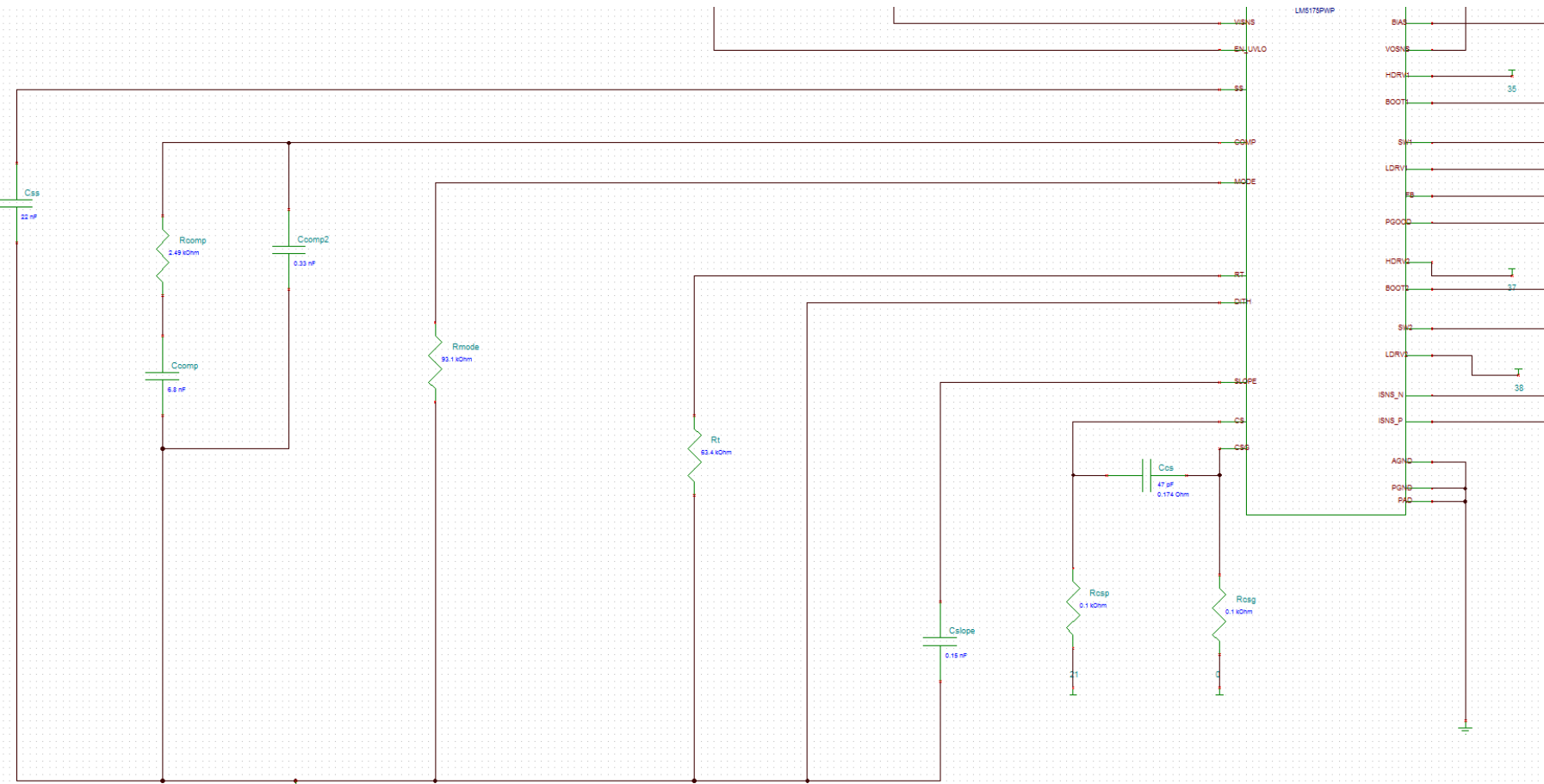


Figure 6 Schematic part 2

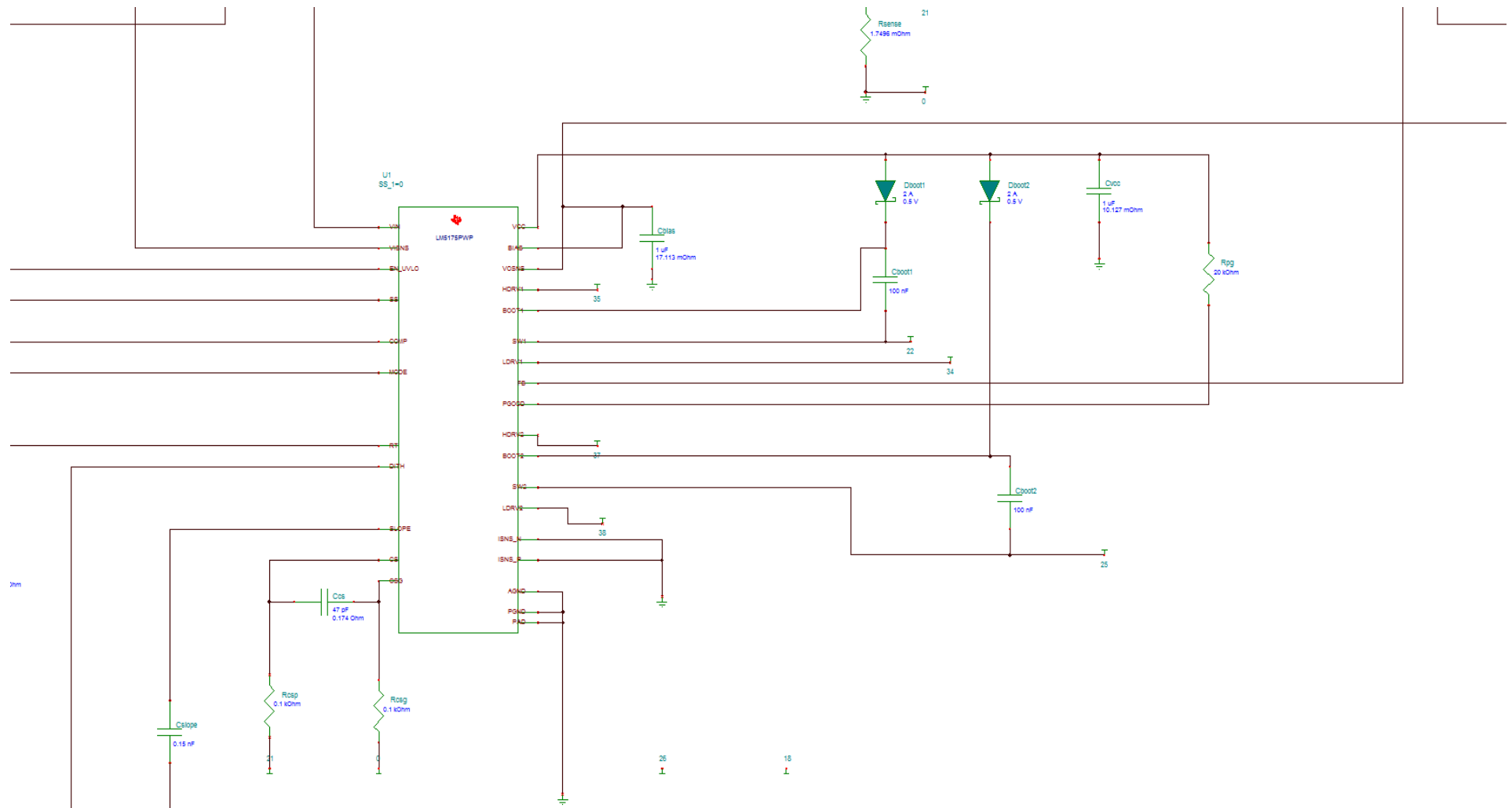


Figure 7 Schematic part 3

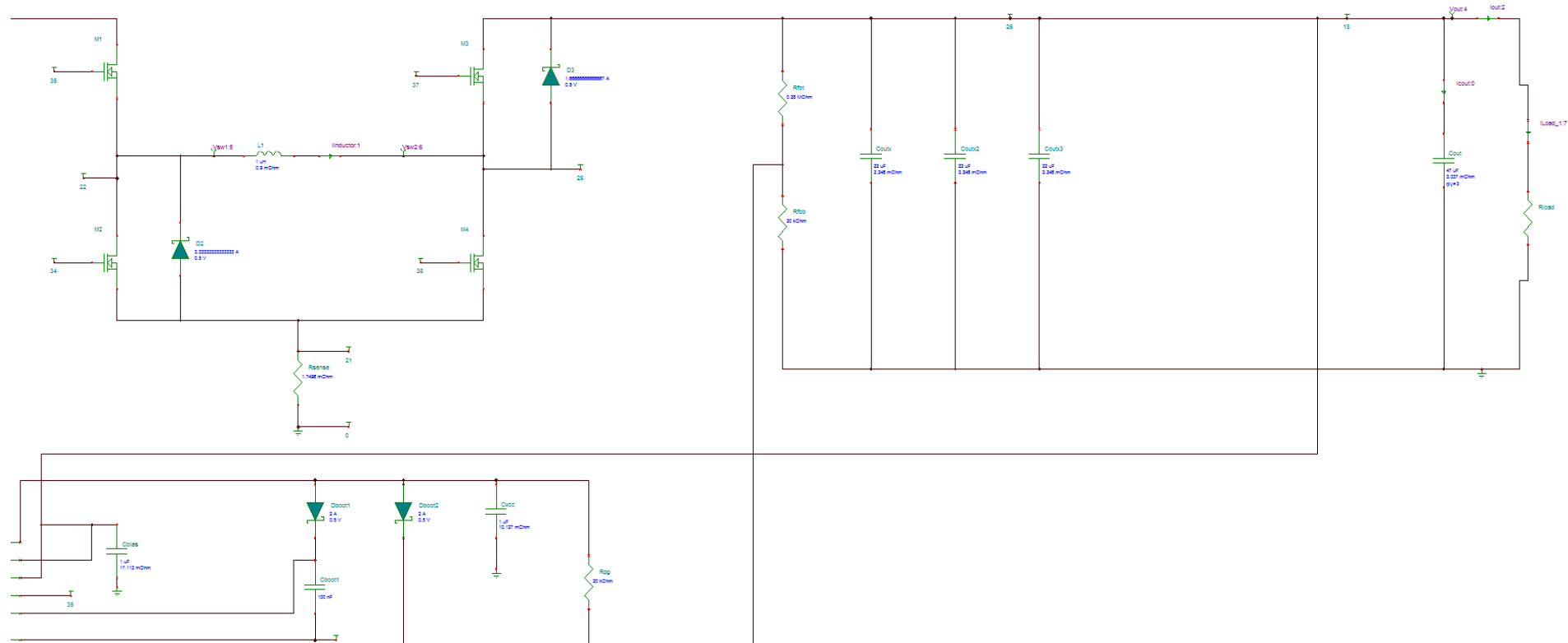


Figure 8 Schematic part 4

Power inductance: WE 7443556082 (820nH)

Buck-MOSFETs: BSC010N04LS

Boost MOSFETs: BSC009NE2LS