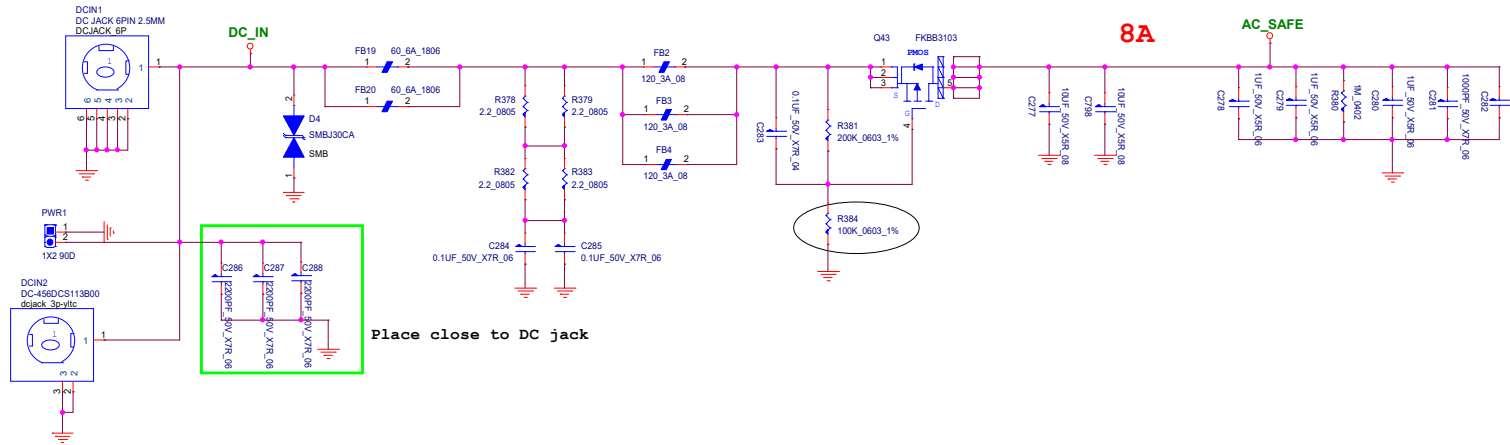
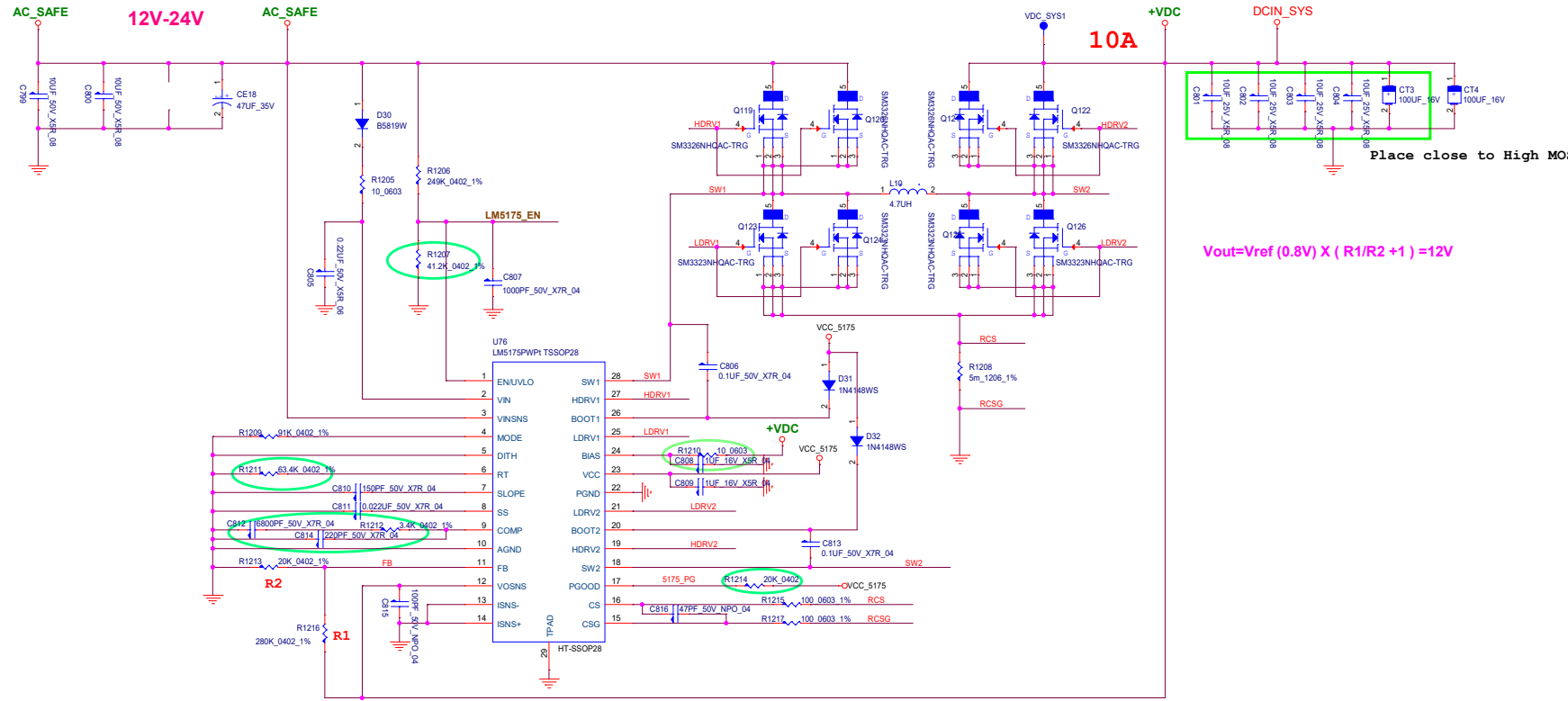


12V-24V INPUT



Place close to DC jack



Place close to High MOS

$$V_{out} = V_{ref} (0.8V) \times (R1/R2 + 1) = 12V$$